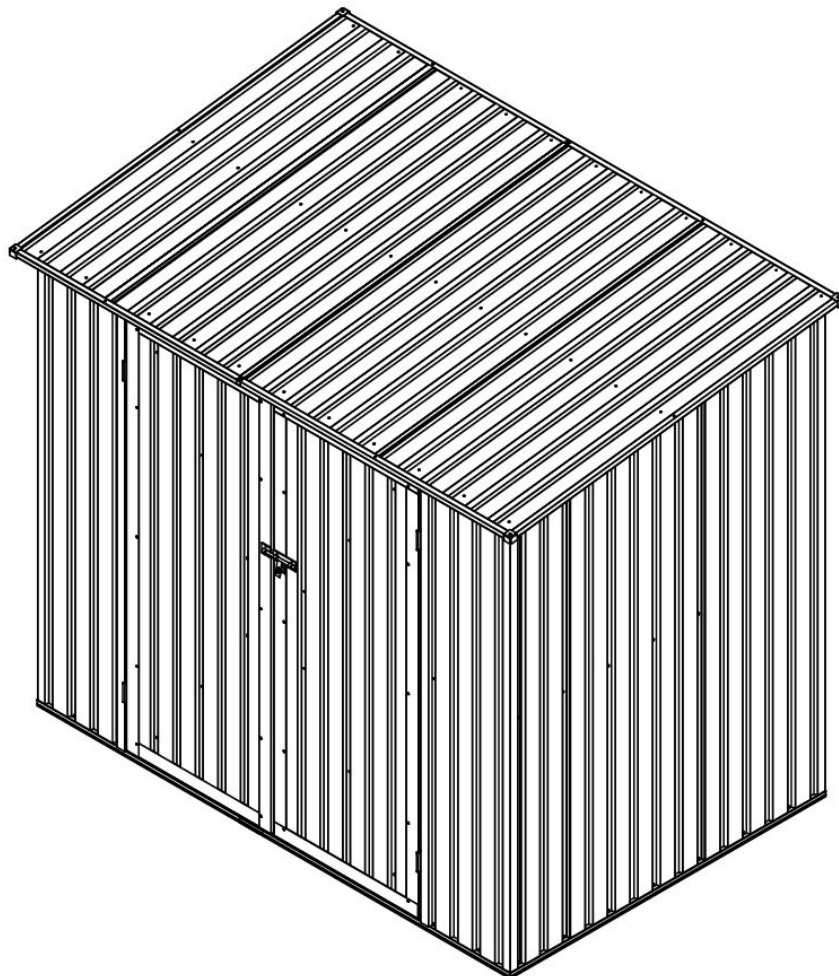


## Notice de montage

Assembly instruction

Instrucciones de instalación



---

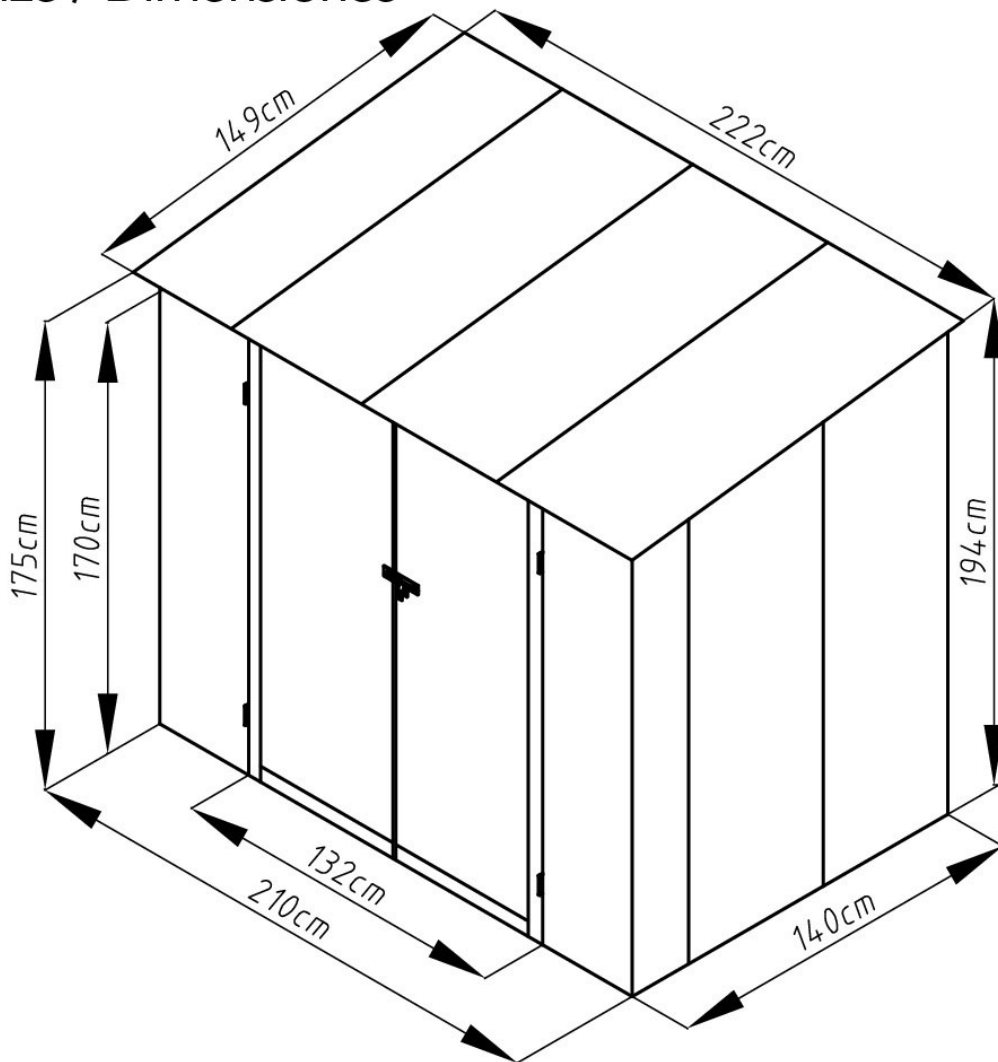
**Montage : 2 personnes - 2 à 3 heures**

**Assembly : 2 people - 2 at 3 hours**

**Montaje : 2 personas - 2 a 3 horas**

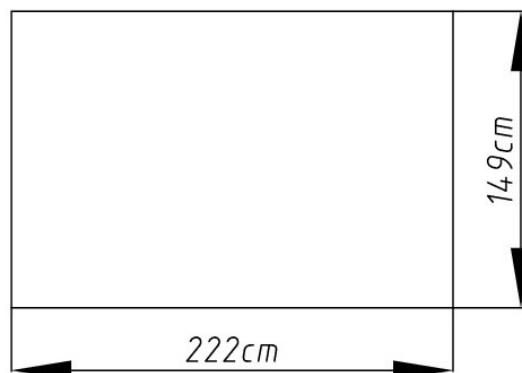
# Dimensions :




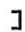








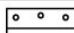

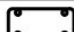









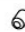


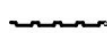
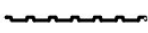

Size / Dimensiones

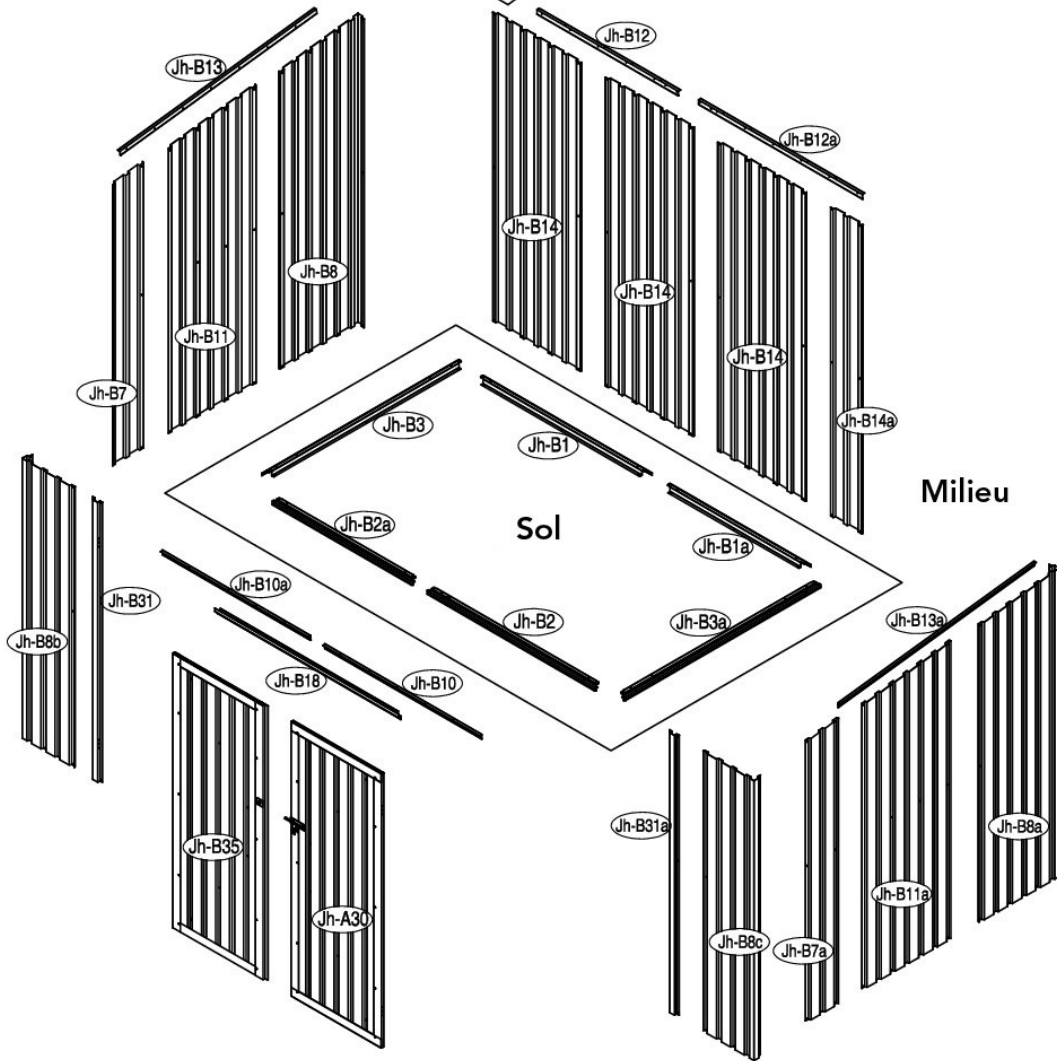
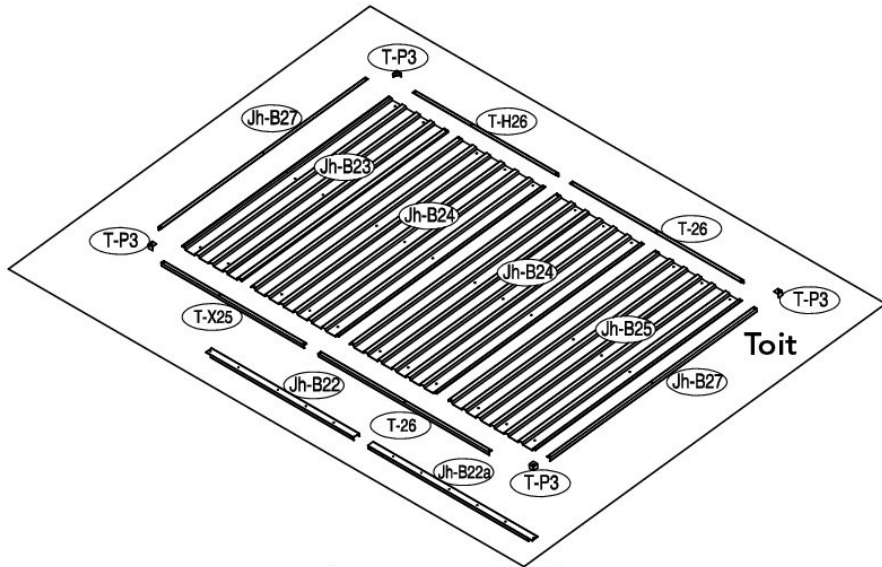


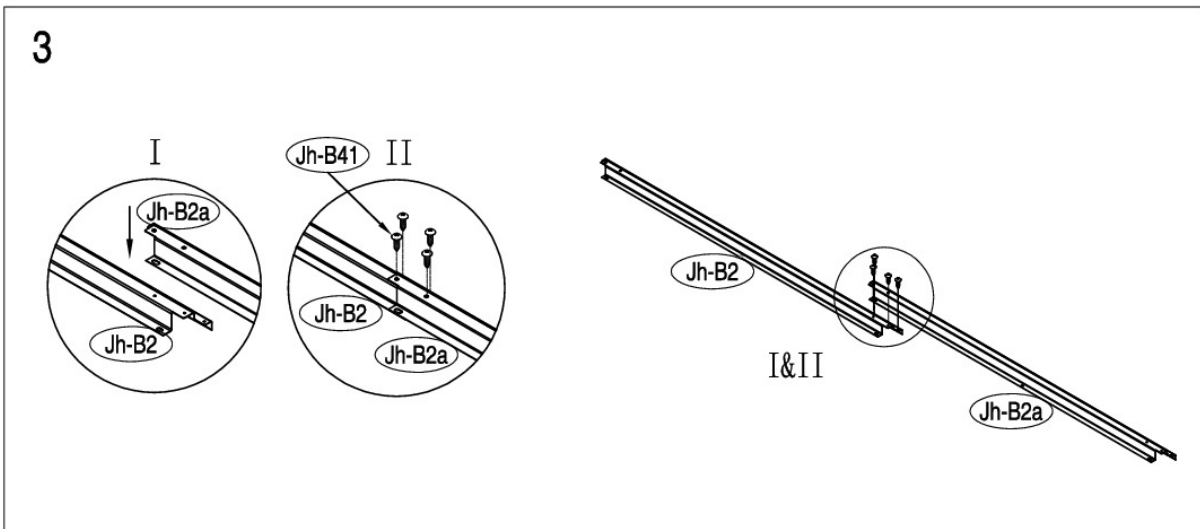
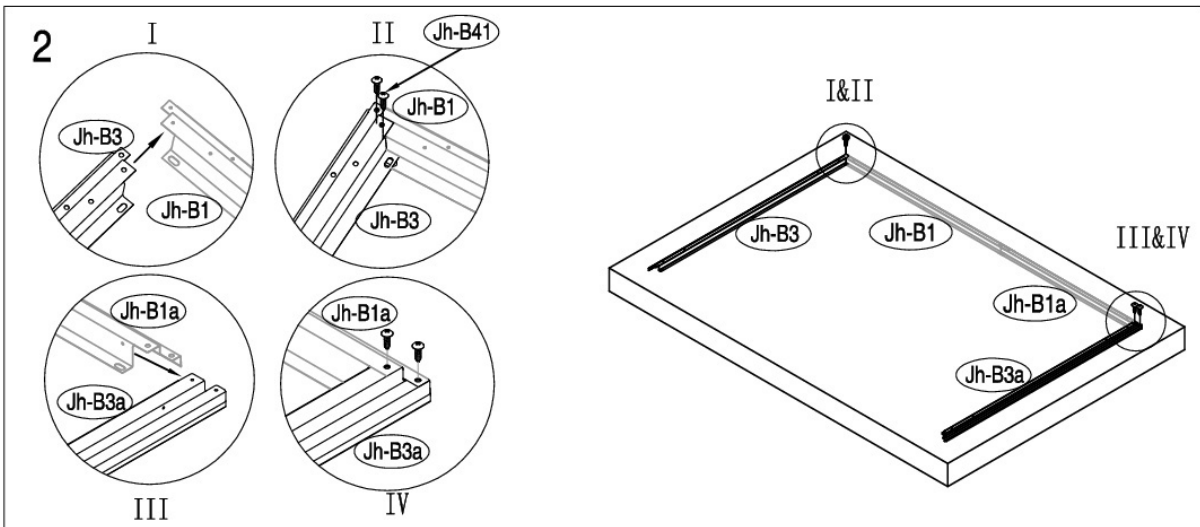
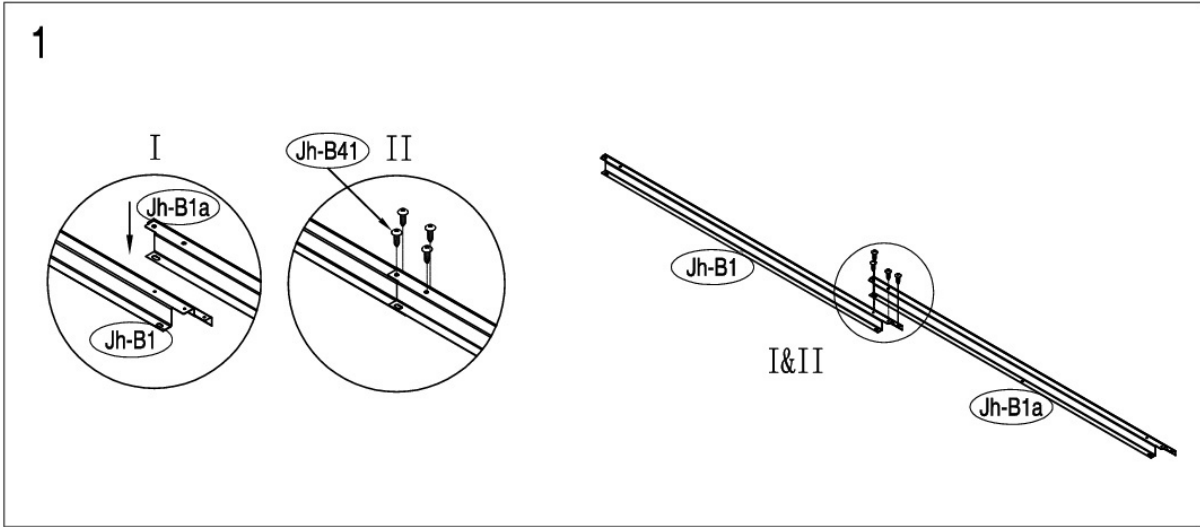
## Zone d'installation nécessaire :

Area of installation requirement / Superficie de la base de instalación

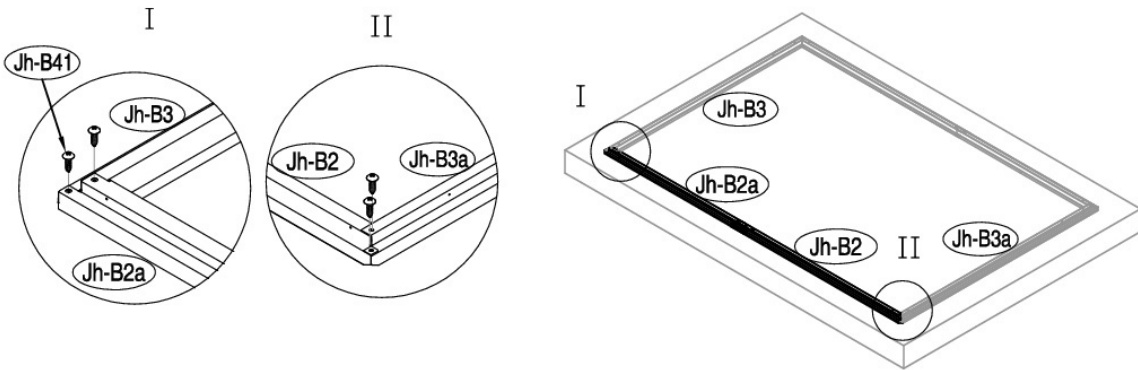


NO.	IMAGE	mm	QTY	NO.	IMAGE	mm	QTY
<b>SOL</b>				T-H26		1016	x1
Jh-B1		1202	x1	Jh-B27		1484	x2
Jh-B1a		1002	x1	<b>PORTE</b>			
Jh-B2		1202	x1	Jh-A30		1688	x1
Jh-B2a		1002	x1	Jh-B35		1688	x1
Jh-B3		1402	x1	Jh-A32		1000	x4
Jh-B3a		1402	x1	Jh-A36		1688	x1
<b>MILIEU</b>				Jh-B36		1688	x1
Jh-B7		1755.5	x1	Jh-A37		1688	x2
Jh-B7a		1755.5	x1	Jh-A38		640	x2
Jh-B14a		1900	x1	Jh-B38		640	x1
Jh-B8		1900	x1	Jh-B38a		640	x1
Jh-B8a		1900	x1	Jh-A46			x1
Jh-B8b		1723	x1	Jh-A47			x1
Jh-B8c		1723	x1	Jh-A48			x1
Jh-B11		1831.5	x1	Jh-A49			x4
Jh-B11a		1831.5	x1	Jh-B50			x2
Jh-B14		1900	x3	Jh-B51			x4
Jh-B10		1115.5	x1	<b>ANNEXE</b>			
Jh-B10a		1054.5	x1	T-P3			x4
Jh-B12		1004.5	x1	Jh-B40			x118
Jh-B12a		1165.5	x1	Jh-B41		ST4x10	x153
Jh-B13		1406.8	x1	Jh-B42		ST4x16	x24
Jh-B13a		1406.8	x1	Jh-B43		M4x10	x59
Jh-B18		1307	x1	Jh-B44			x47
Jh-B31		1723	x1				
Jh-B31a		1723	x1				
<b>TOIT</b>							
Jh-B22		1049	x1				
Jh-B22a		1170	x1				
Jh-B23		1484	x1				
Jh-B24		1484	x2				
Jh-B25		1484	x1				
T-26		1216	x2				
T-X25		1016	x1				

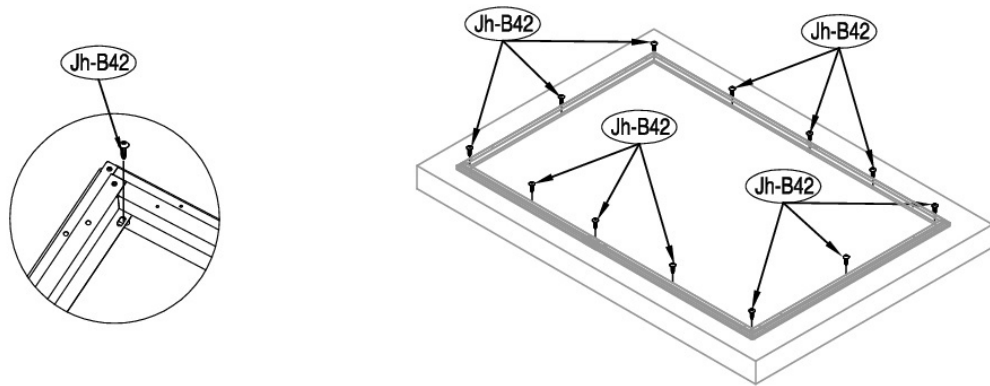




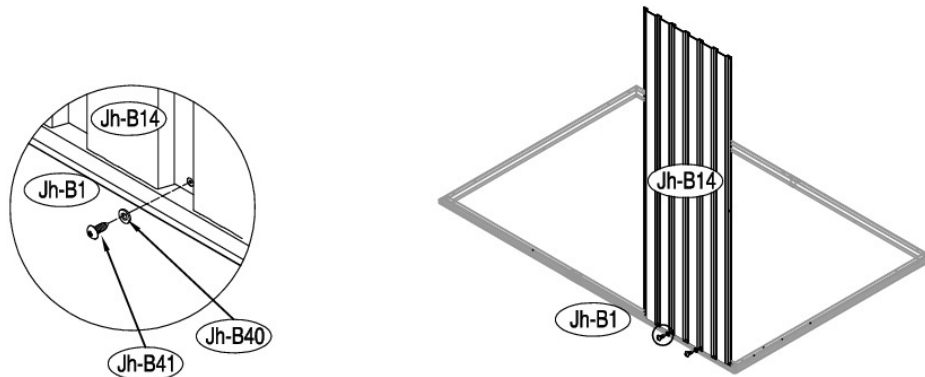
4



5

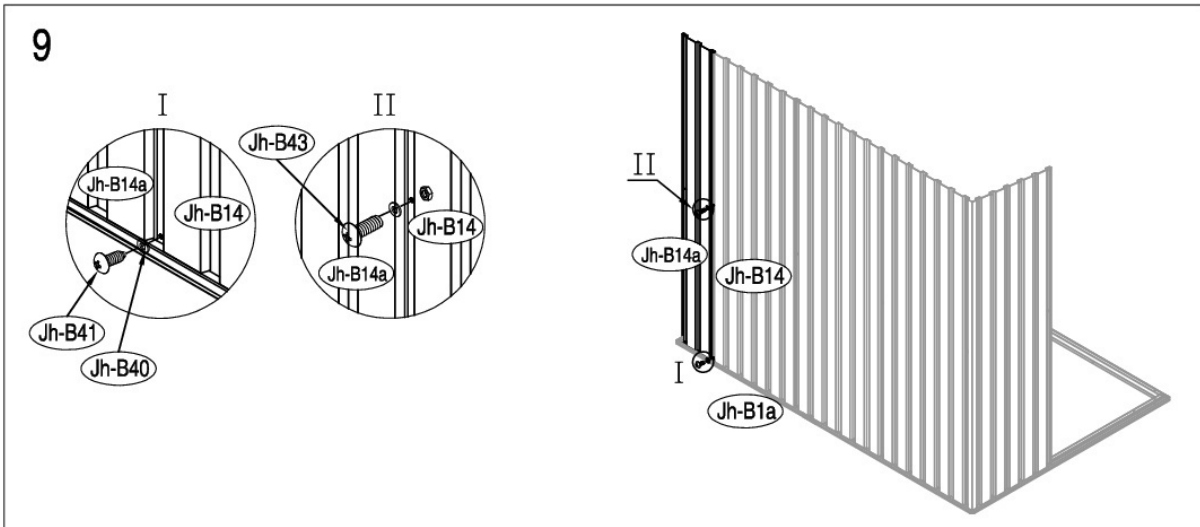
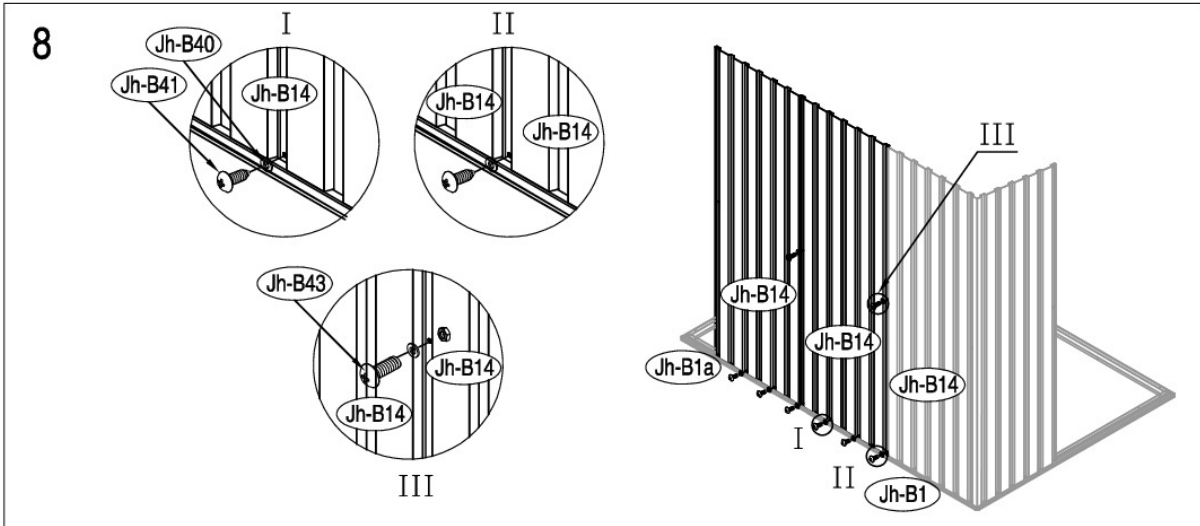
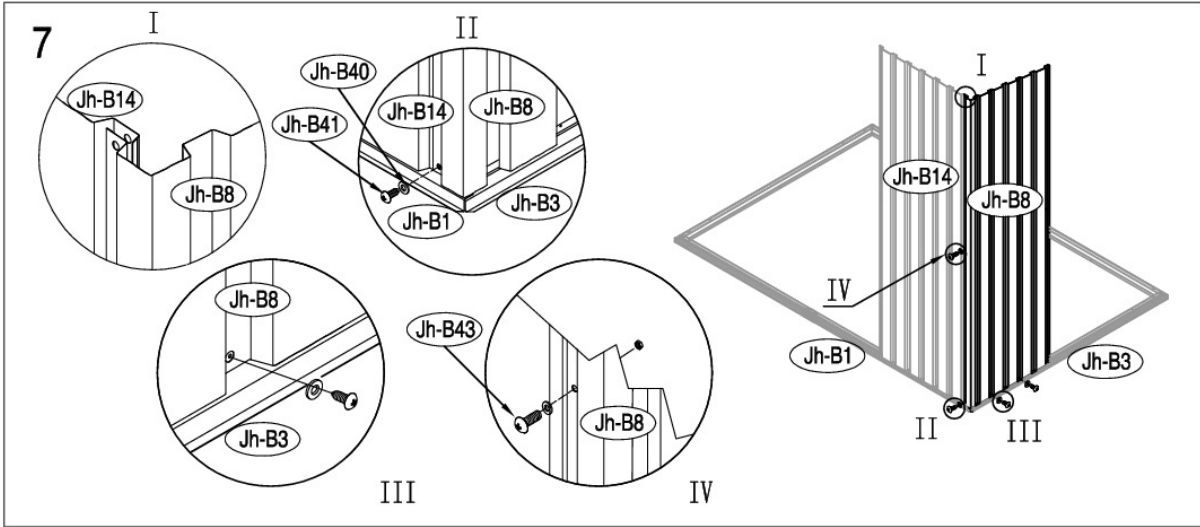


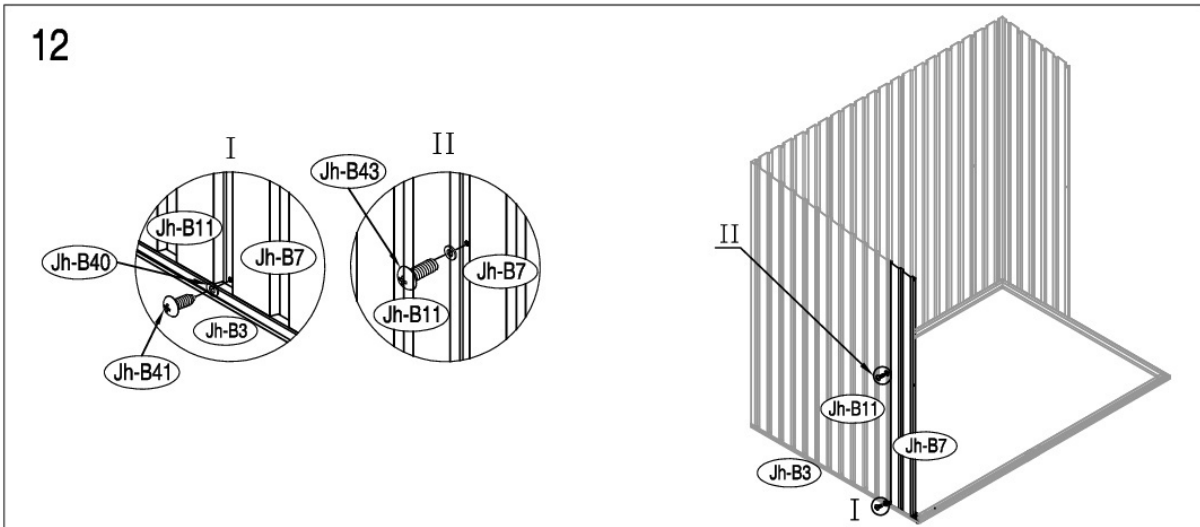
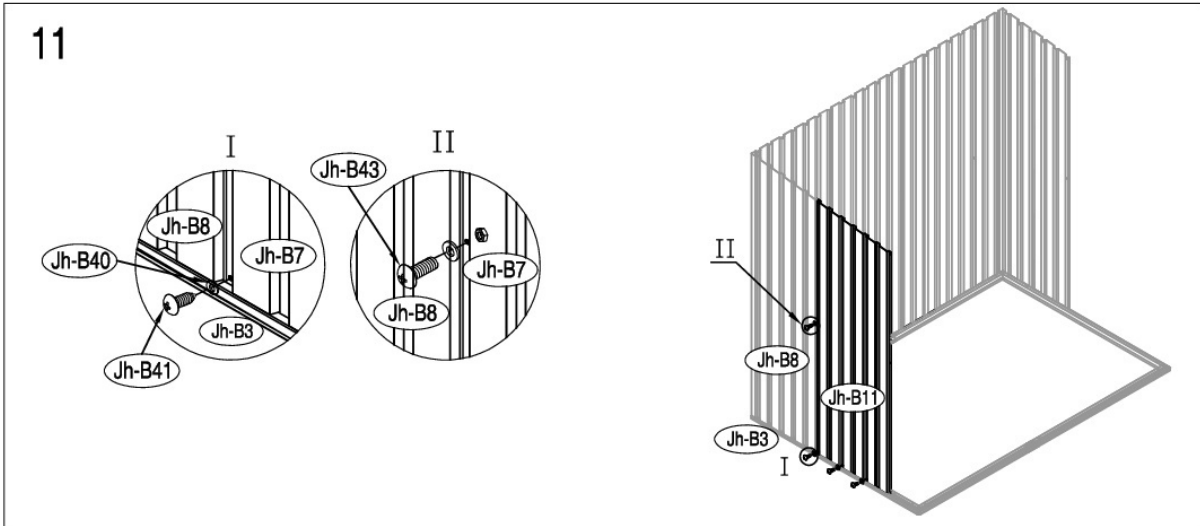
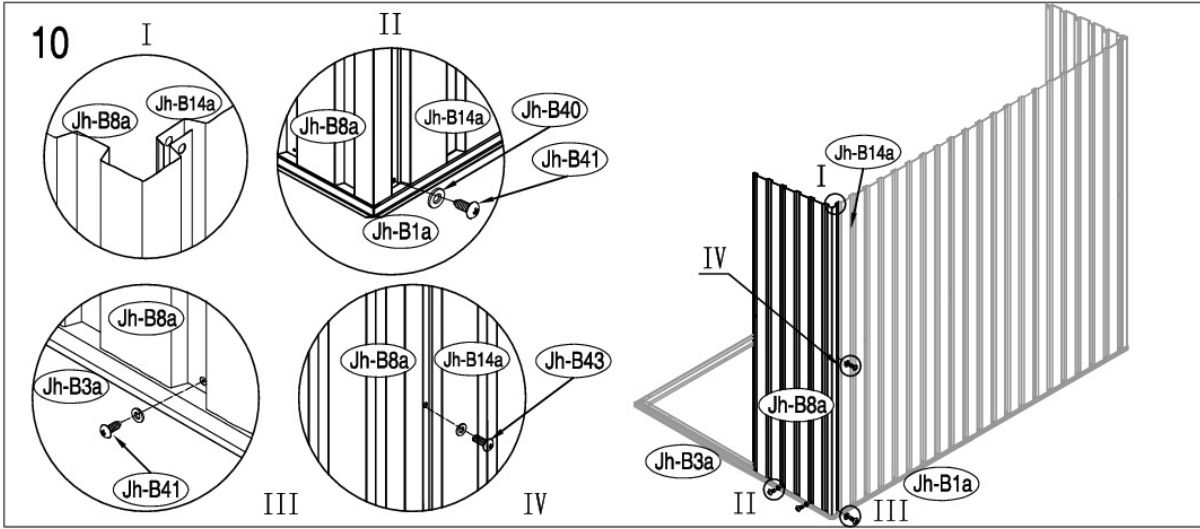
6

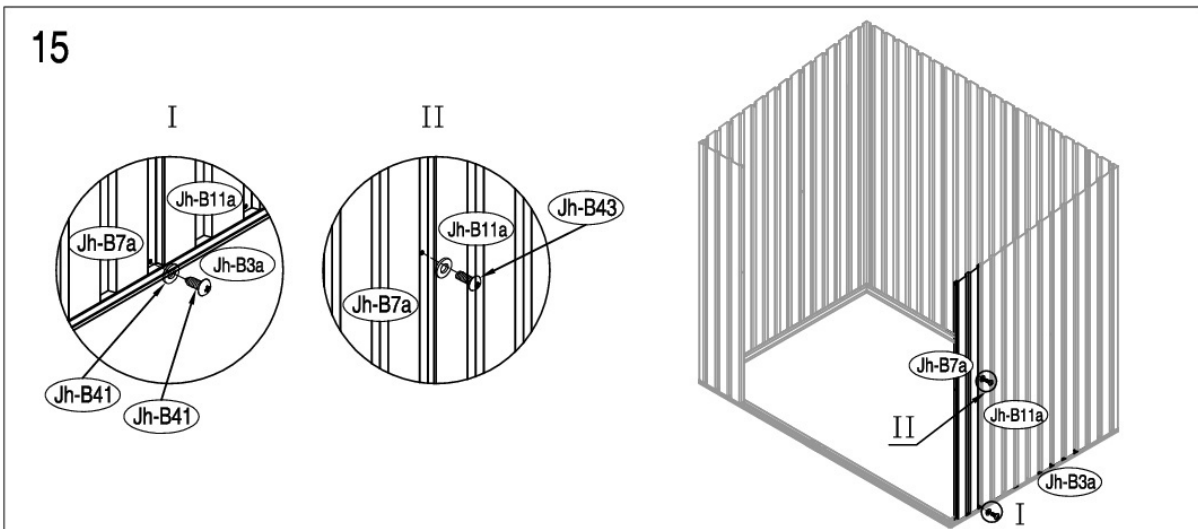
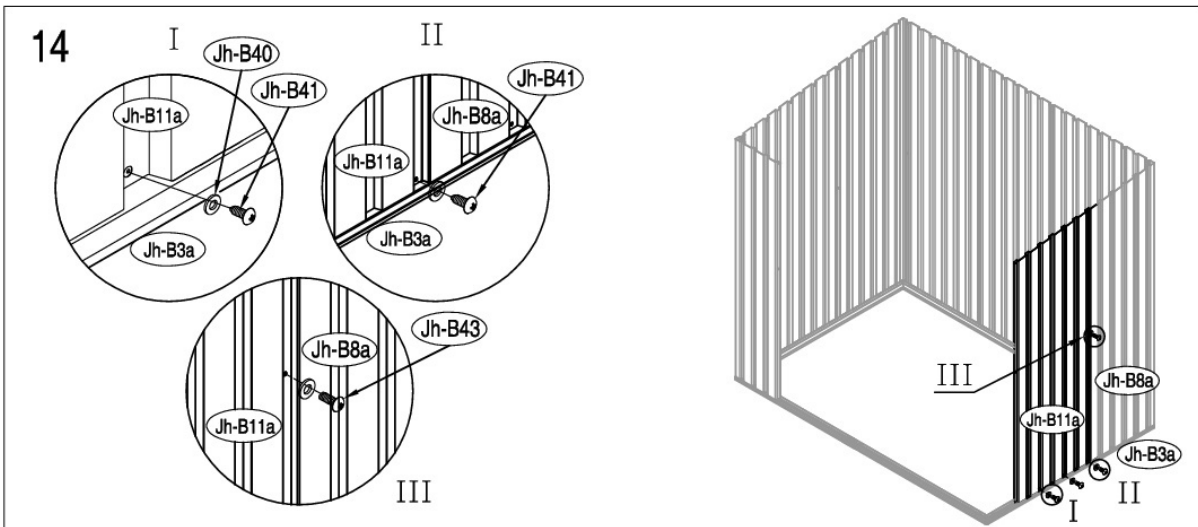
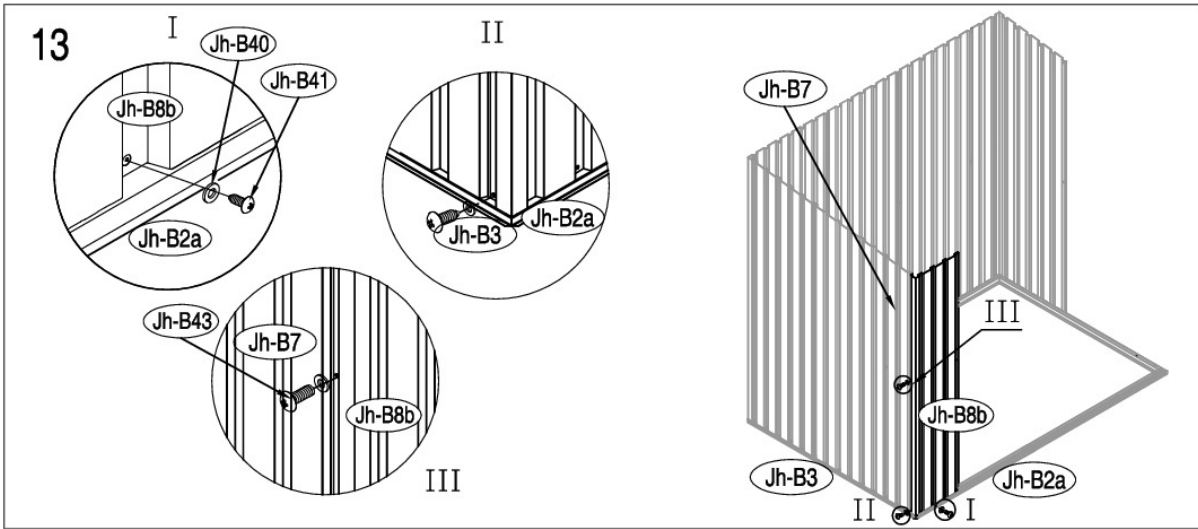


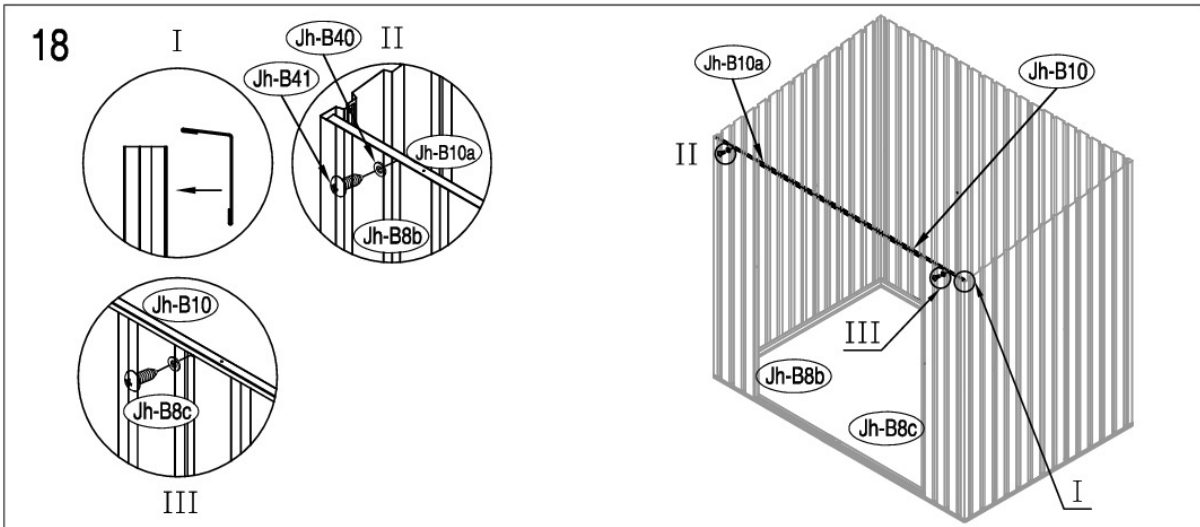
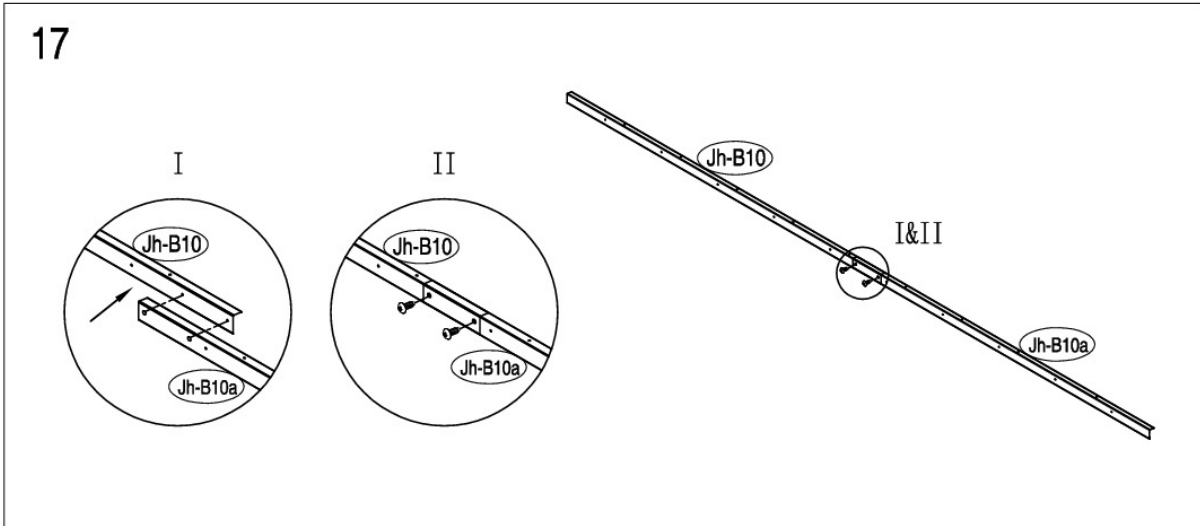
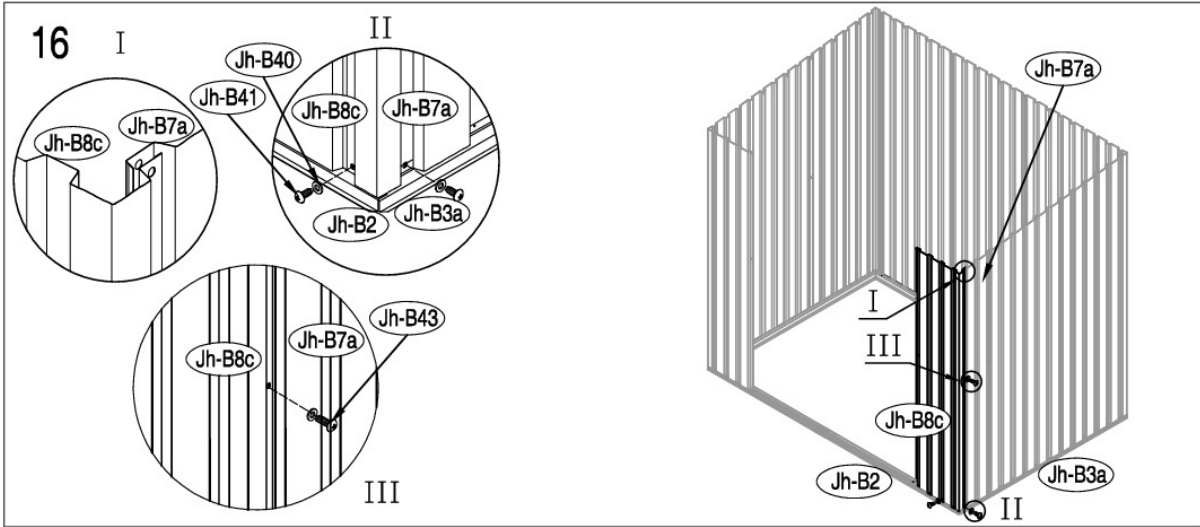
2



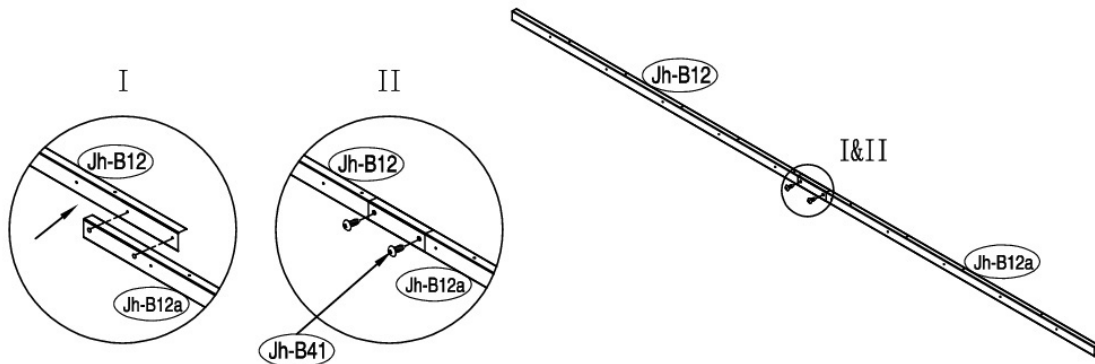




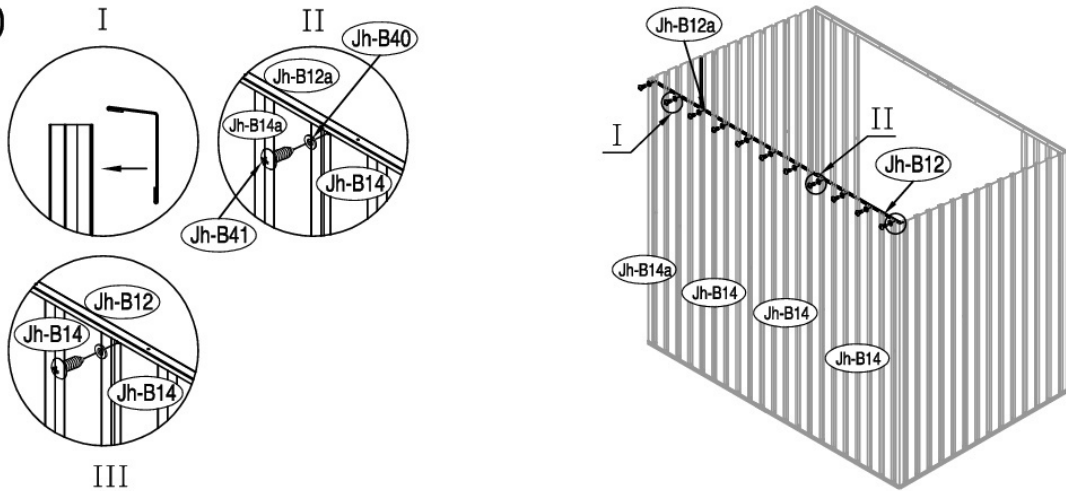




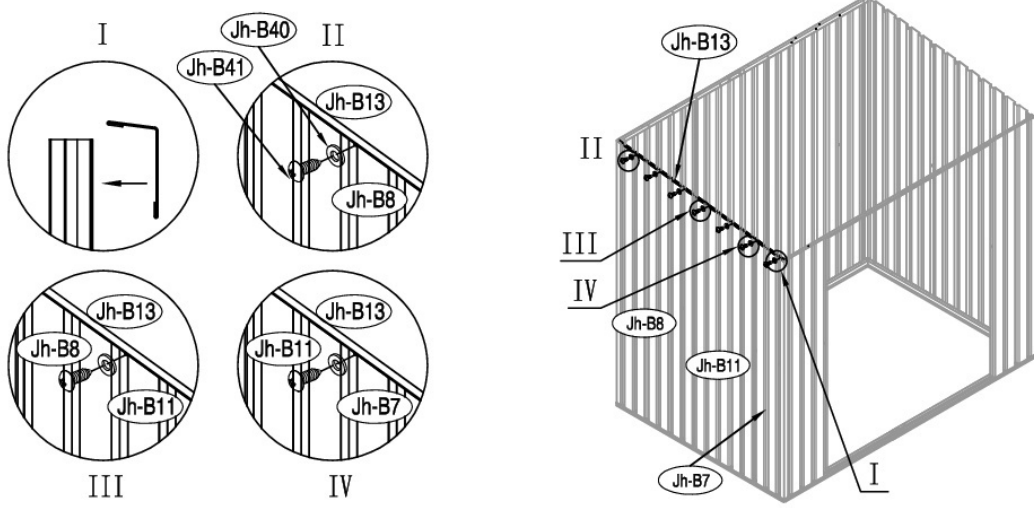
19

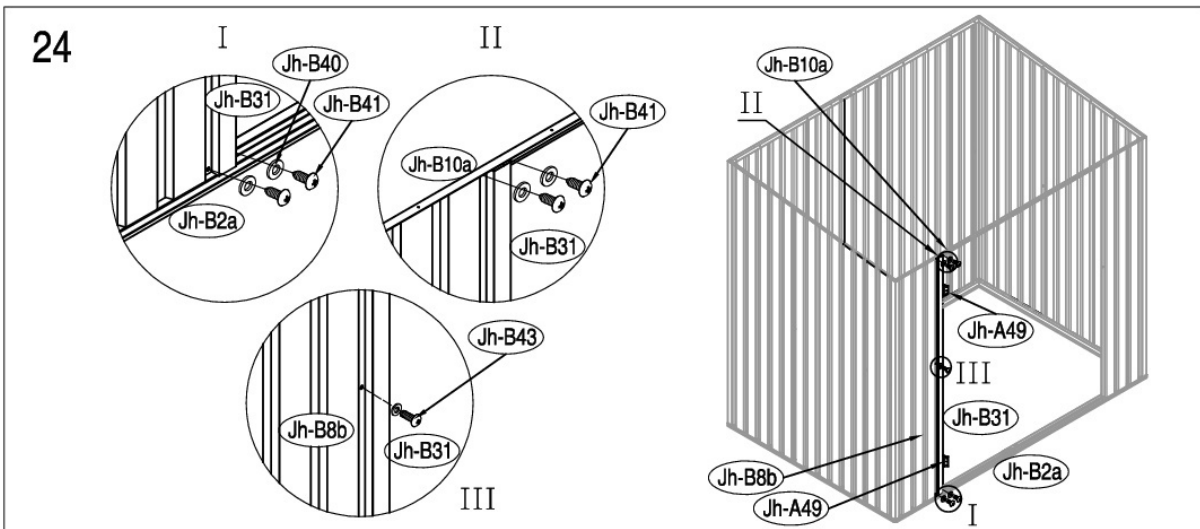
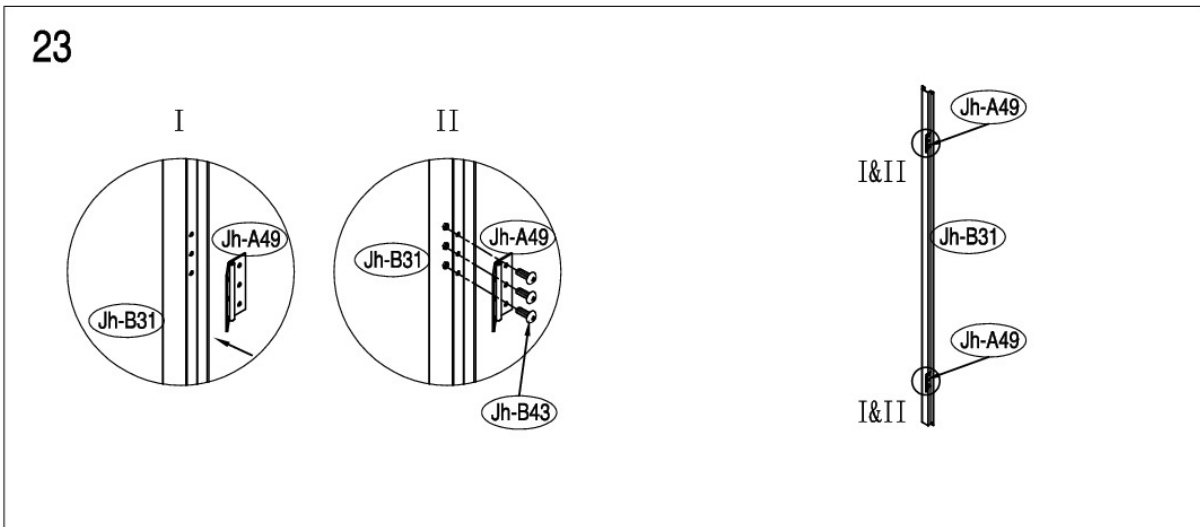
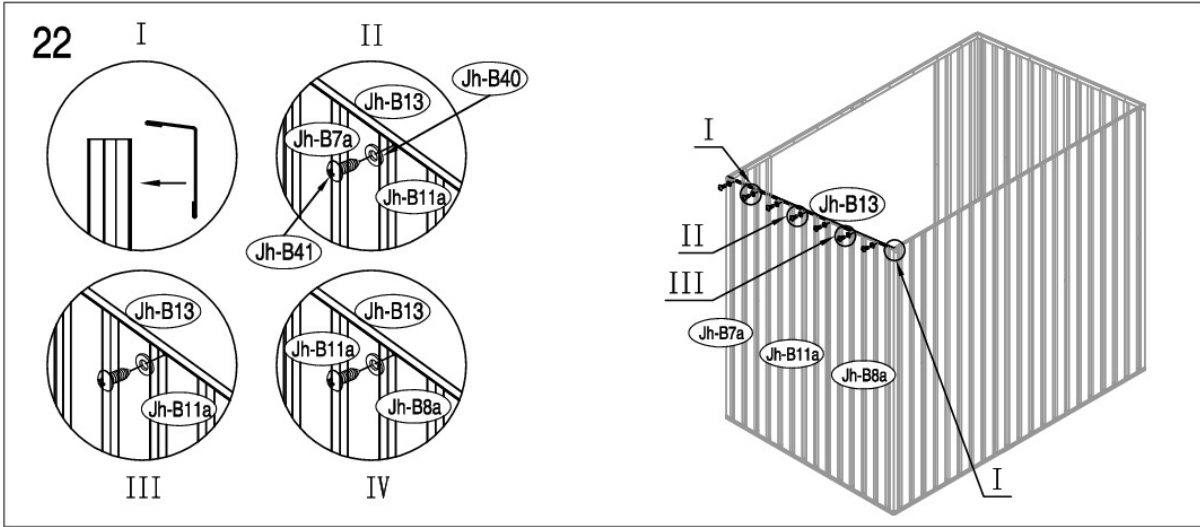


20

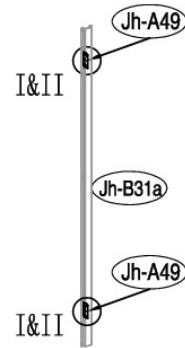
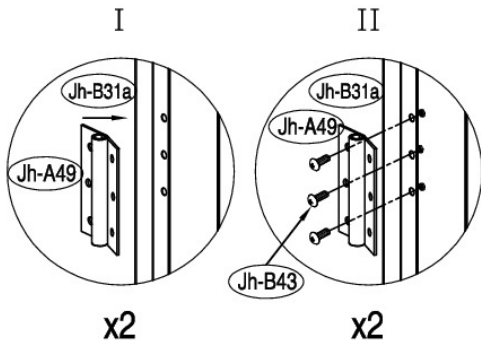


21

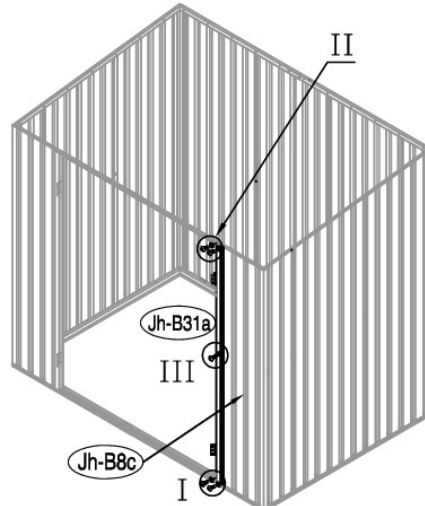
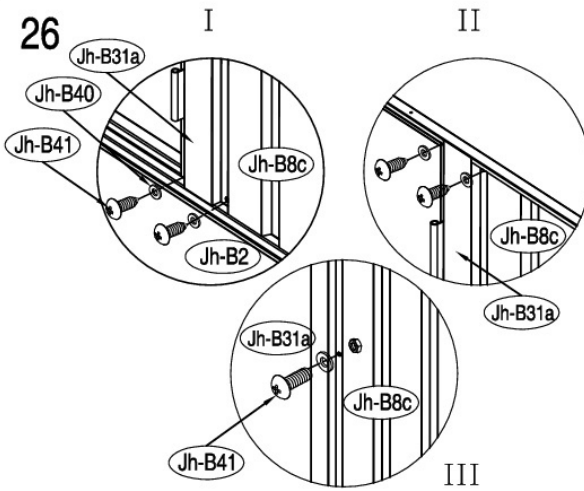




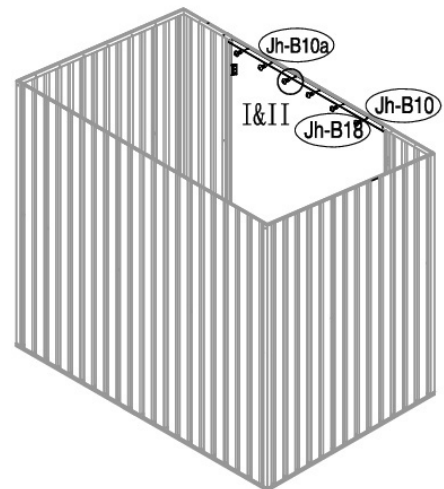
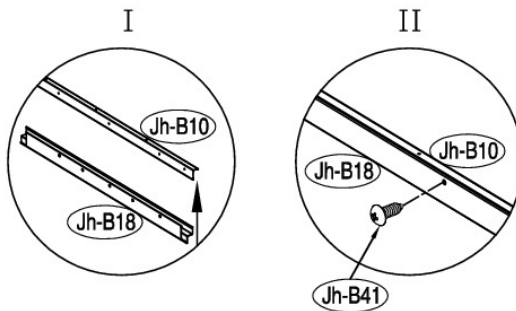
25



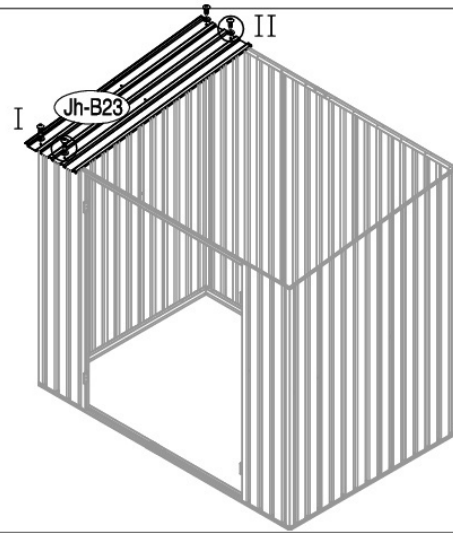
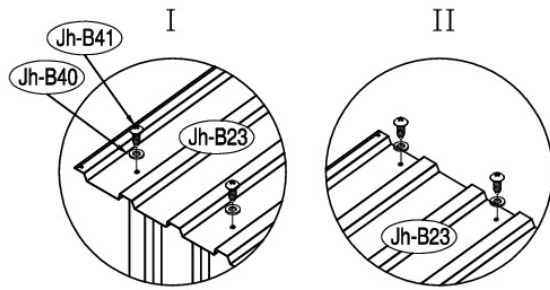
26



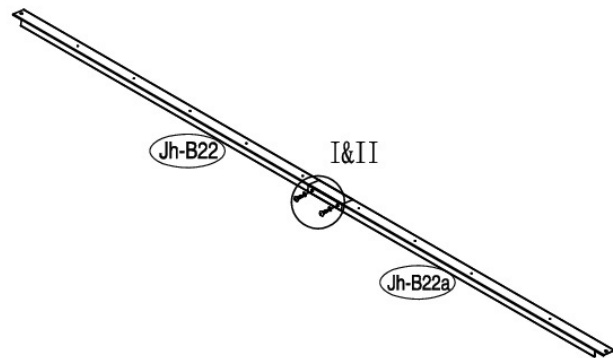
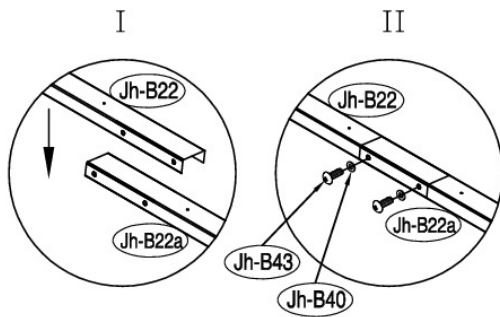
27



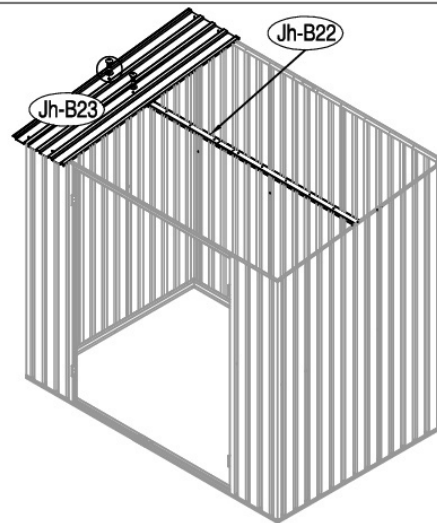
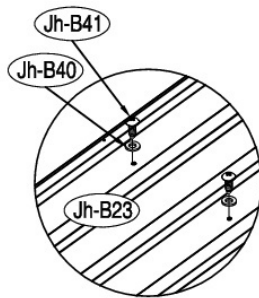
28

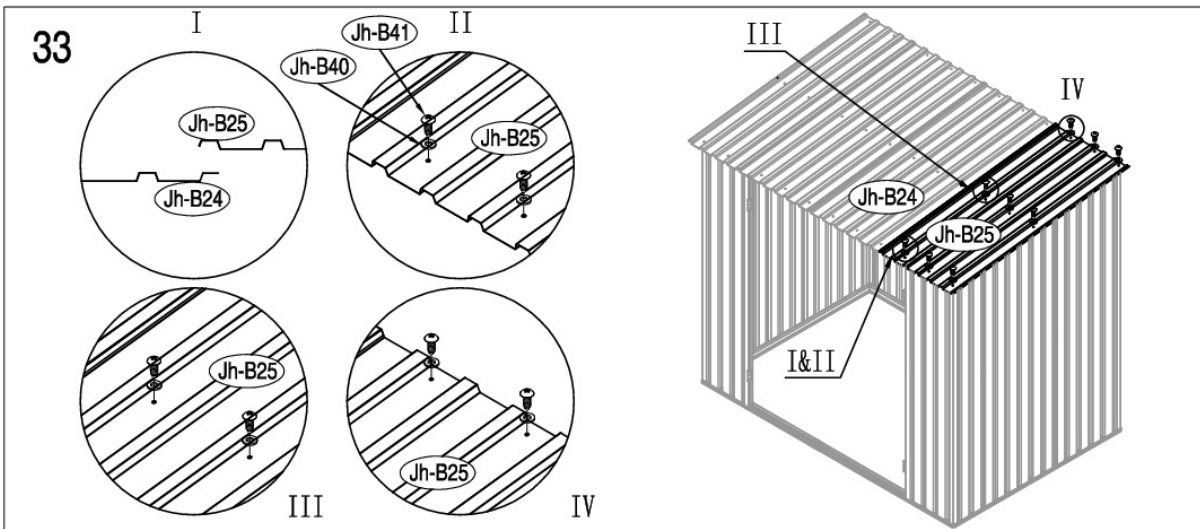
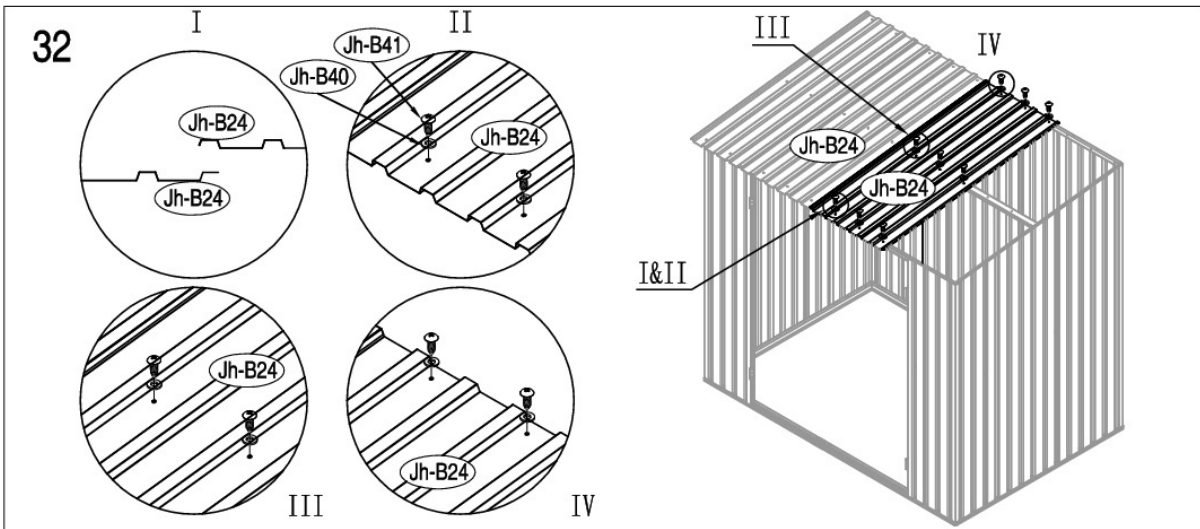
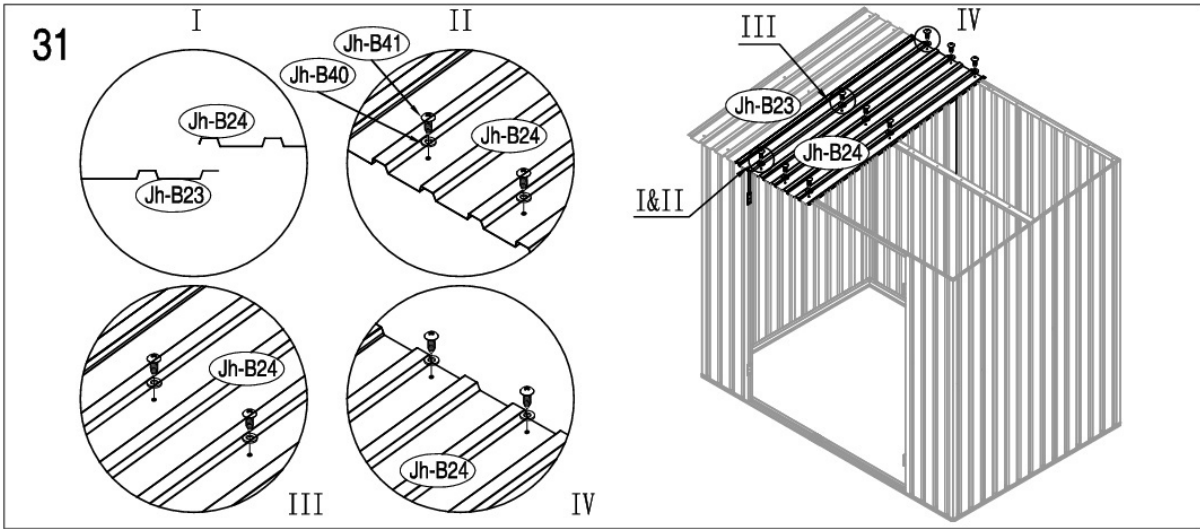


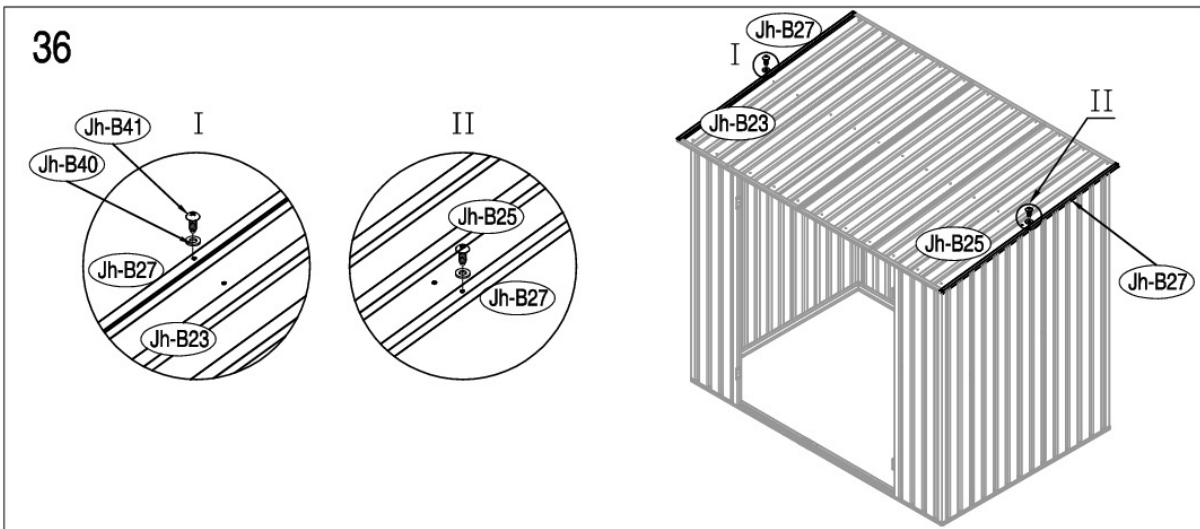
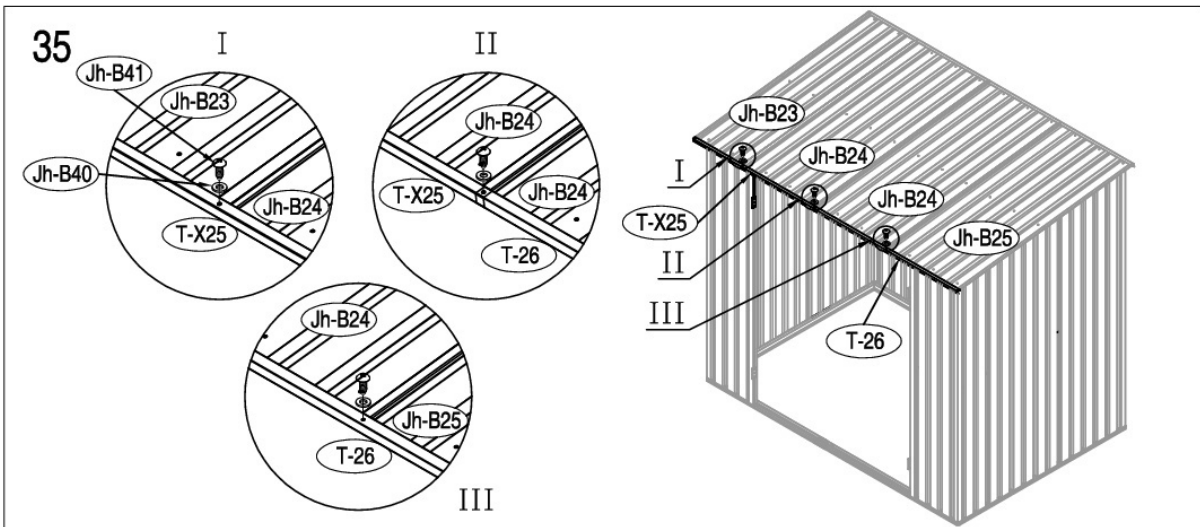
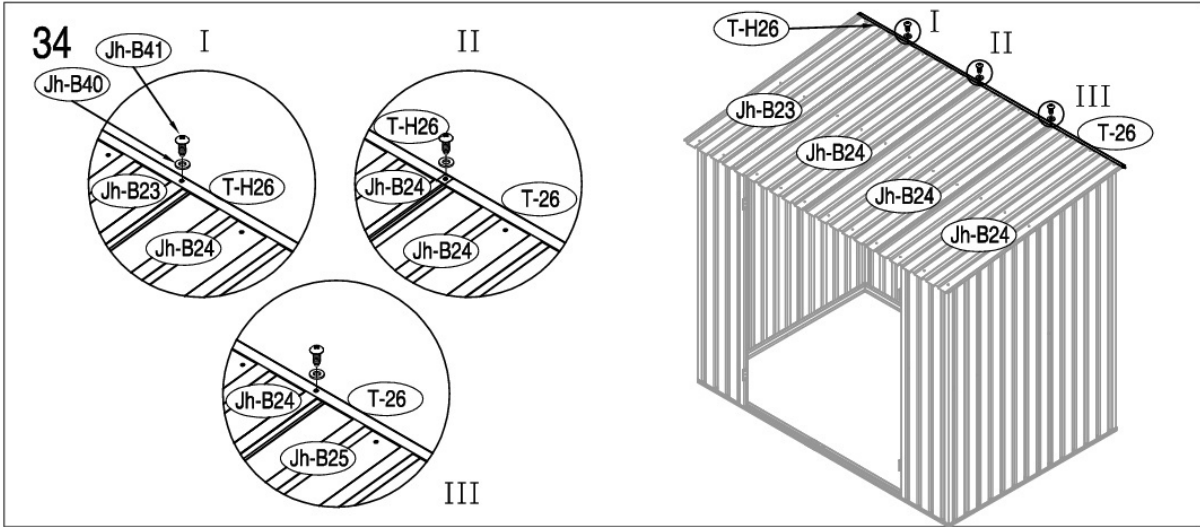
29



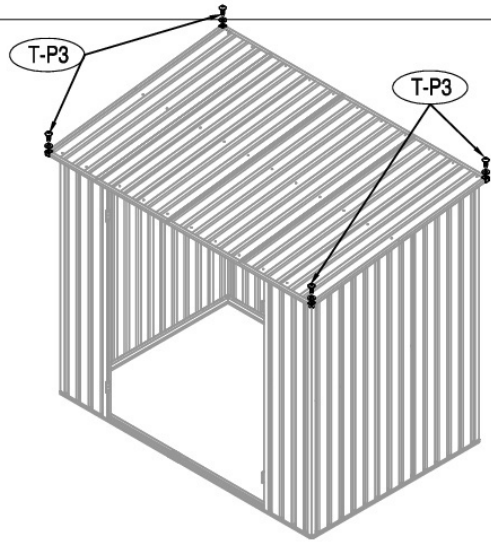
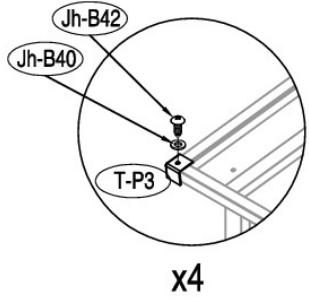
30



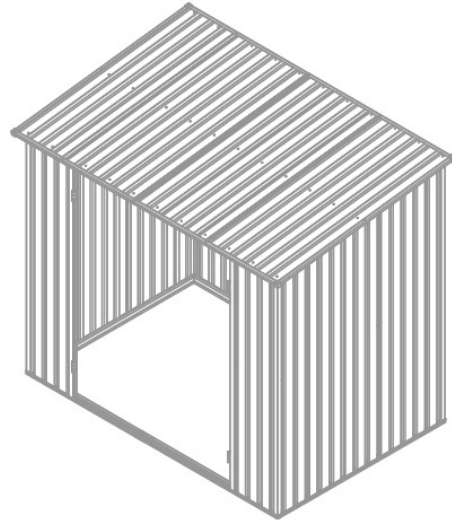
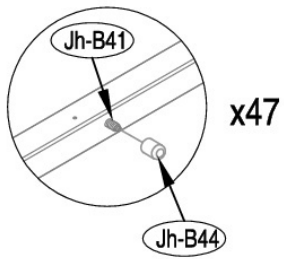




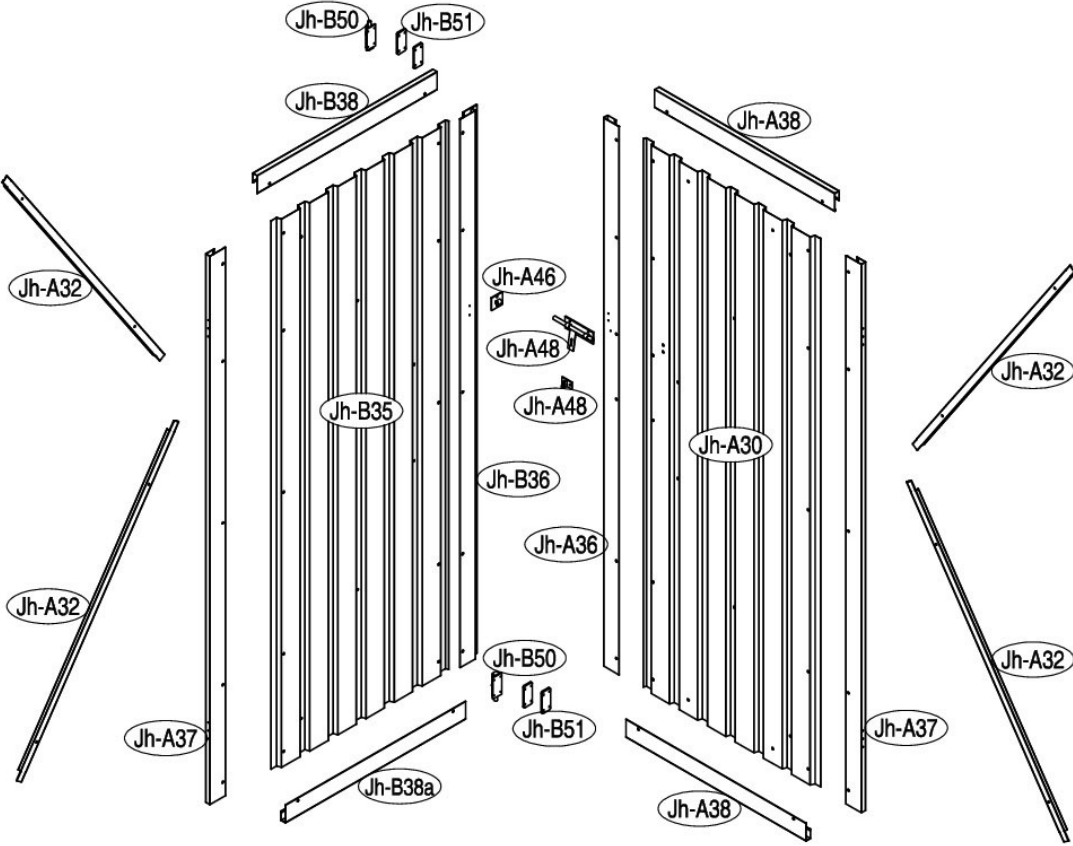
37

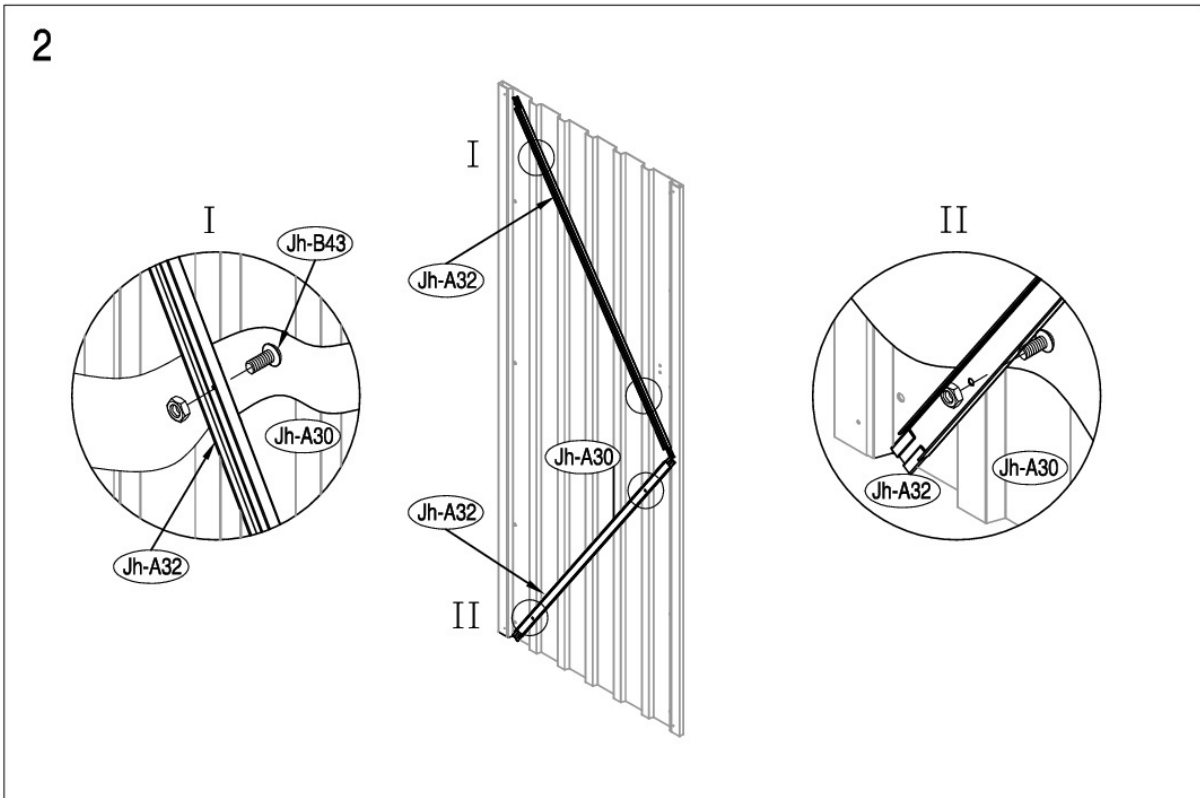
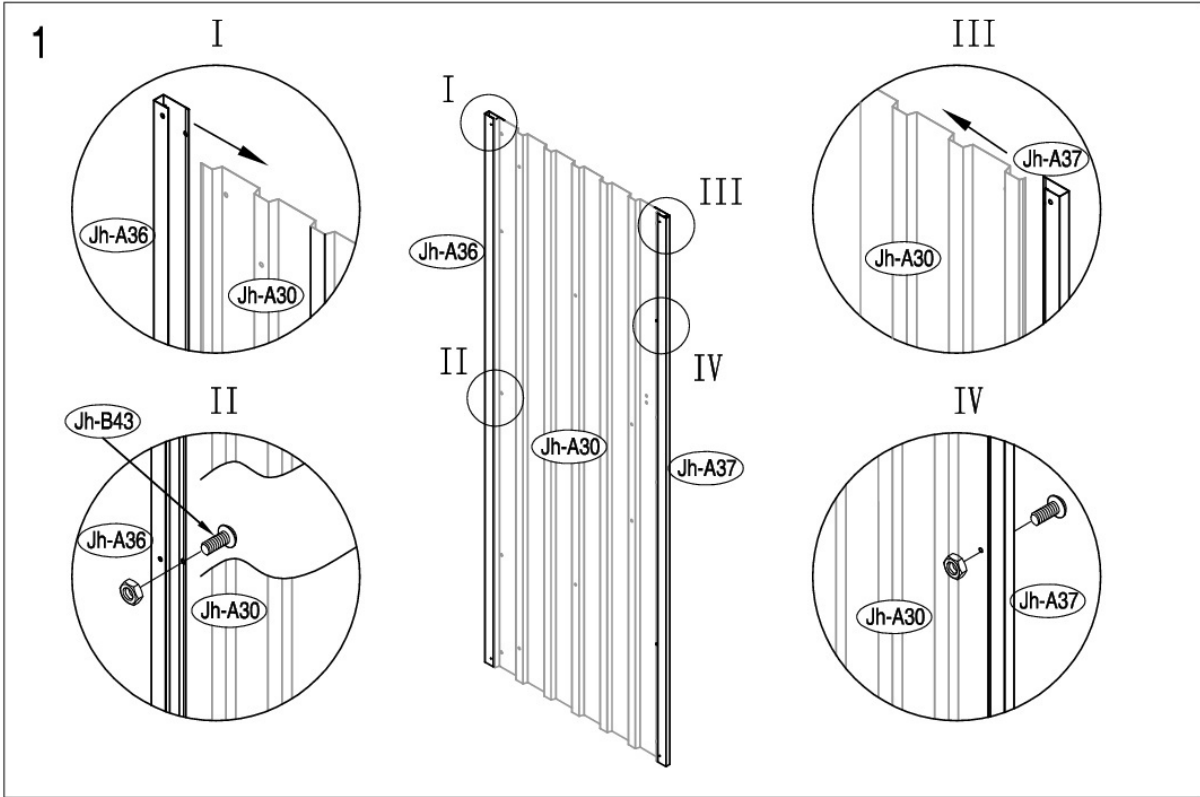


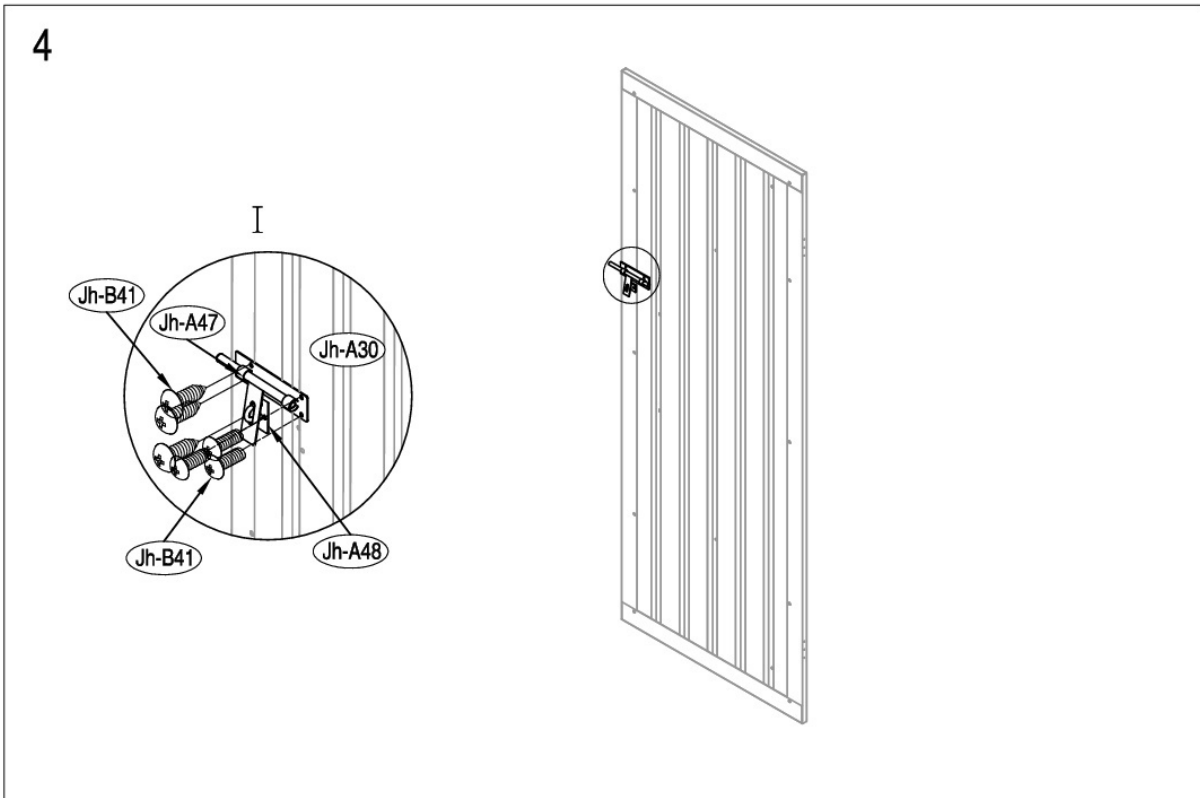
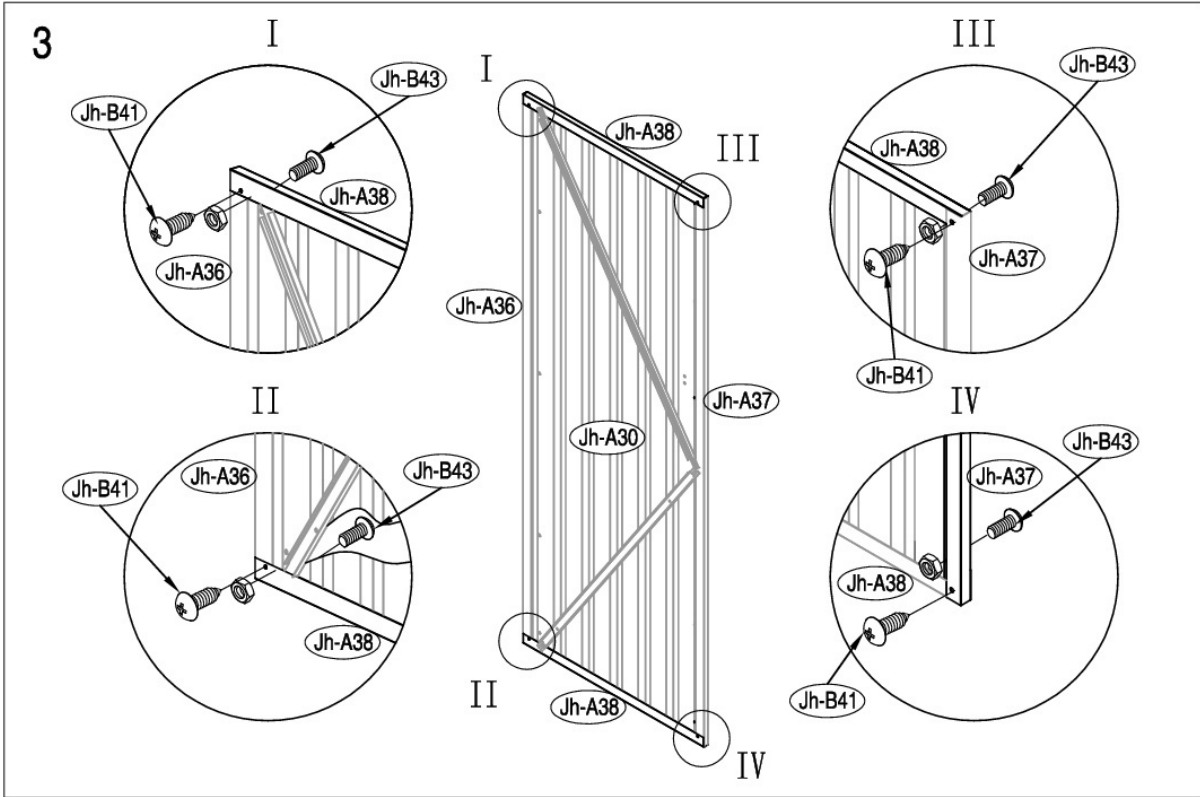
38

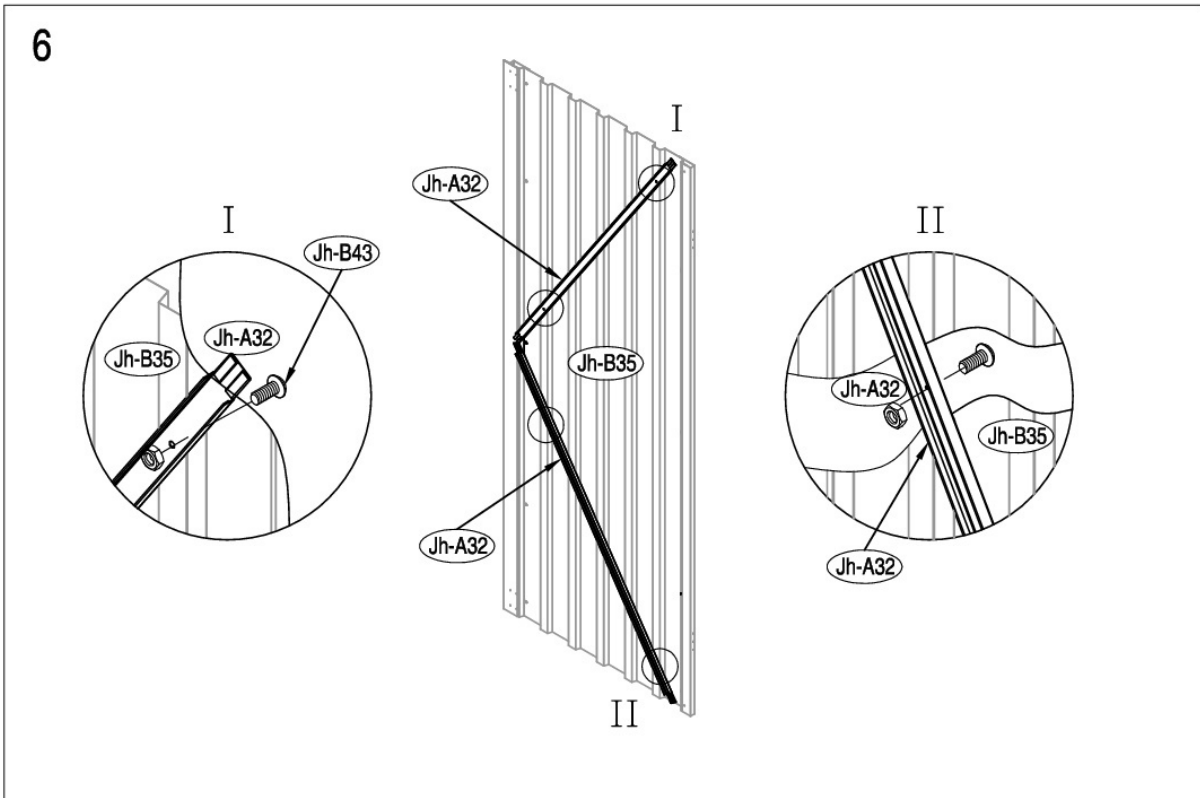
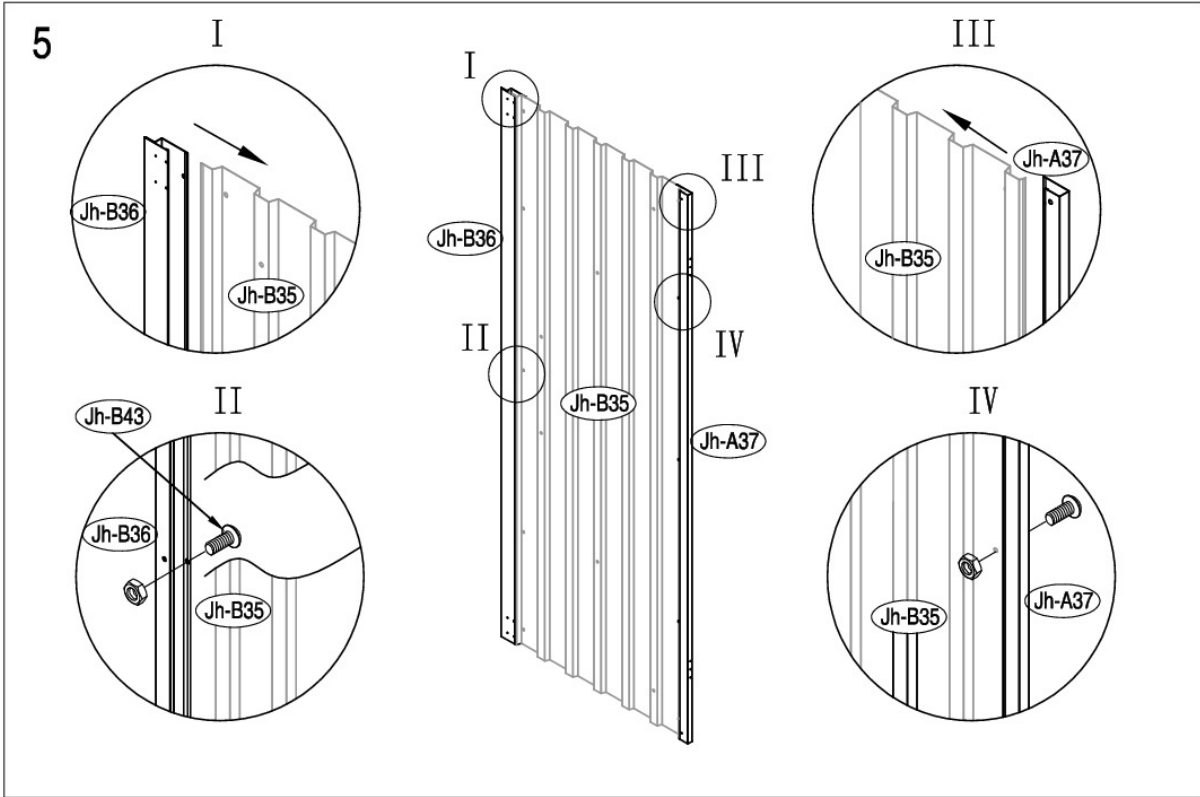


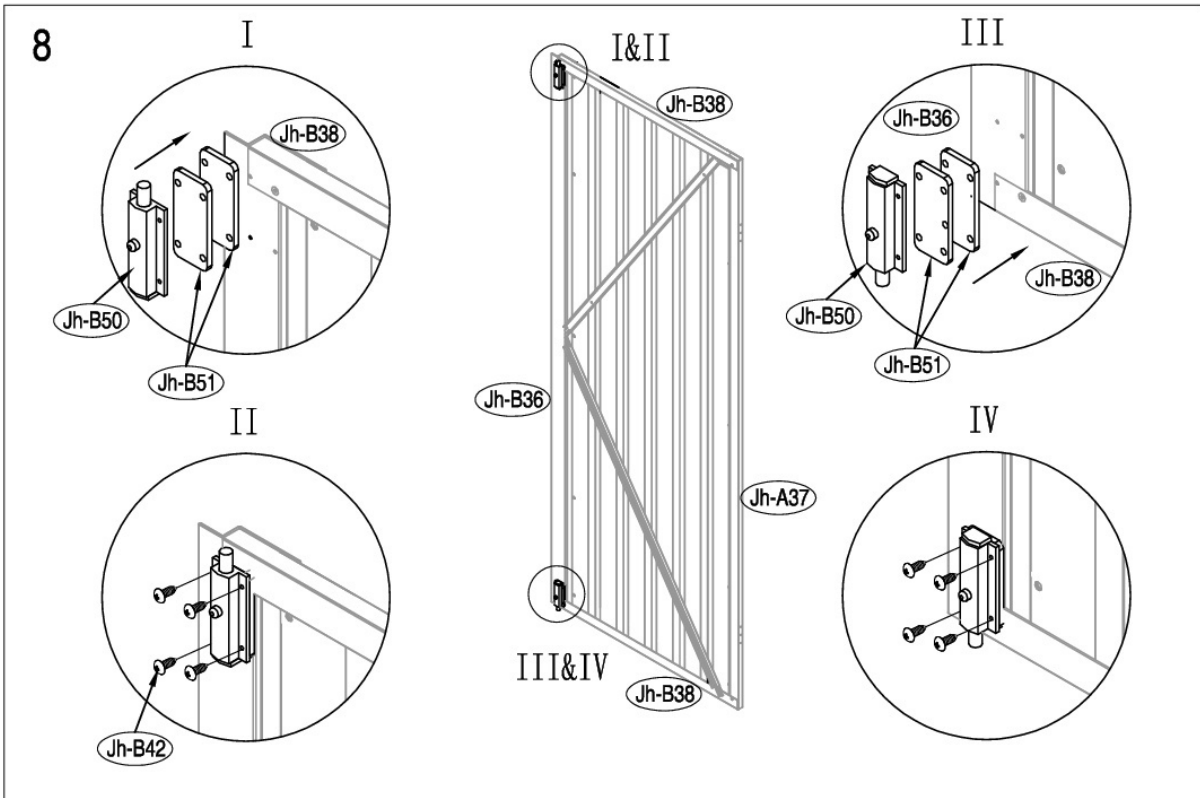
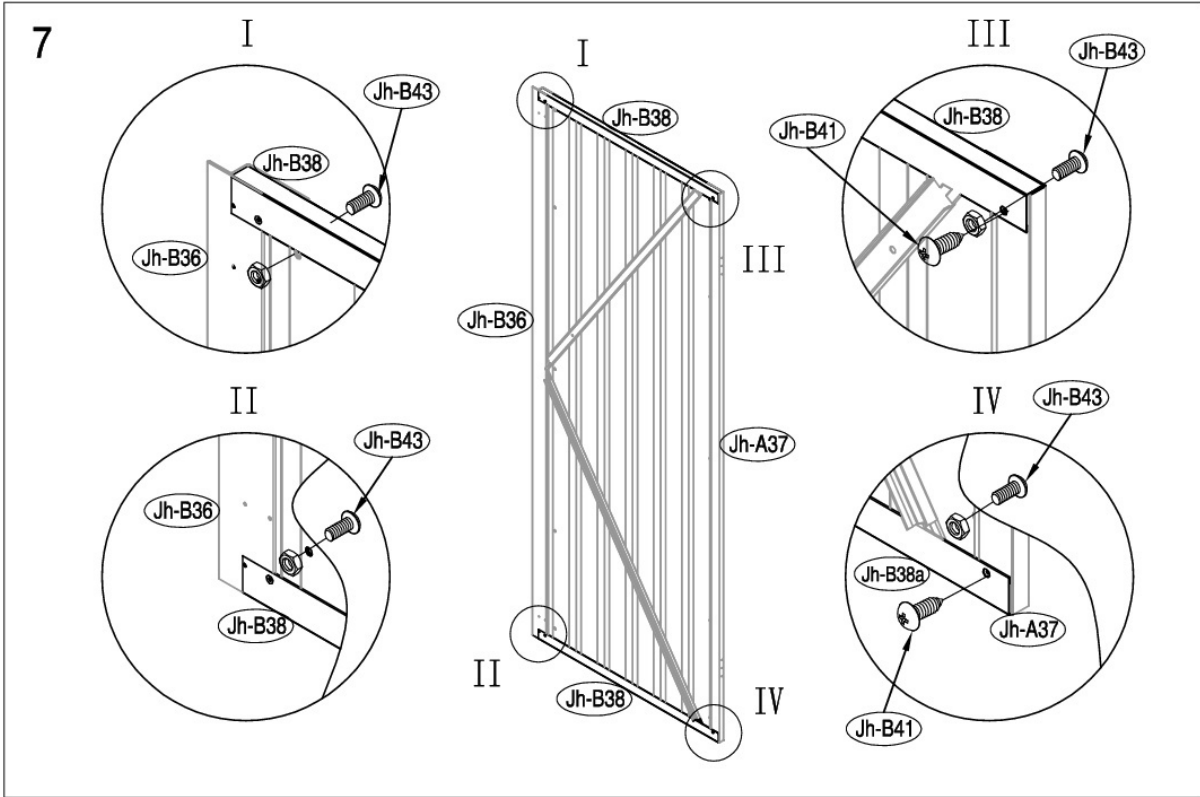
# PORTE



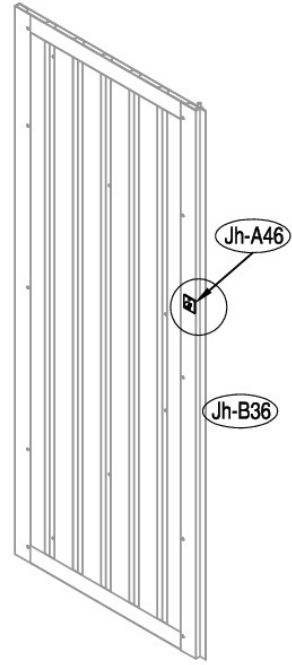
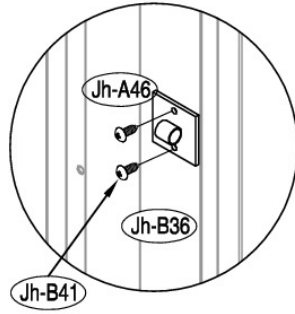








9



10

