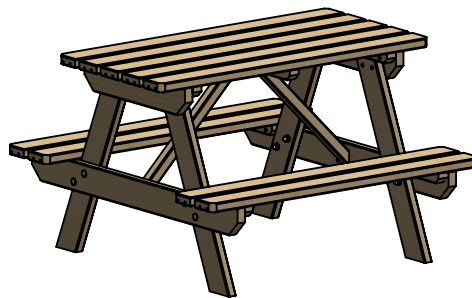




# Table Aurea 90x90x56 cm

## FSC MIX CREDIT Pine

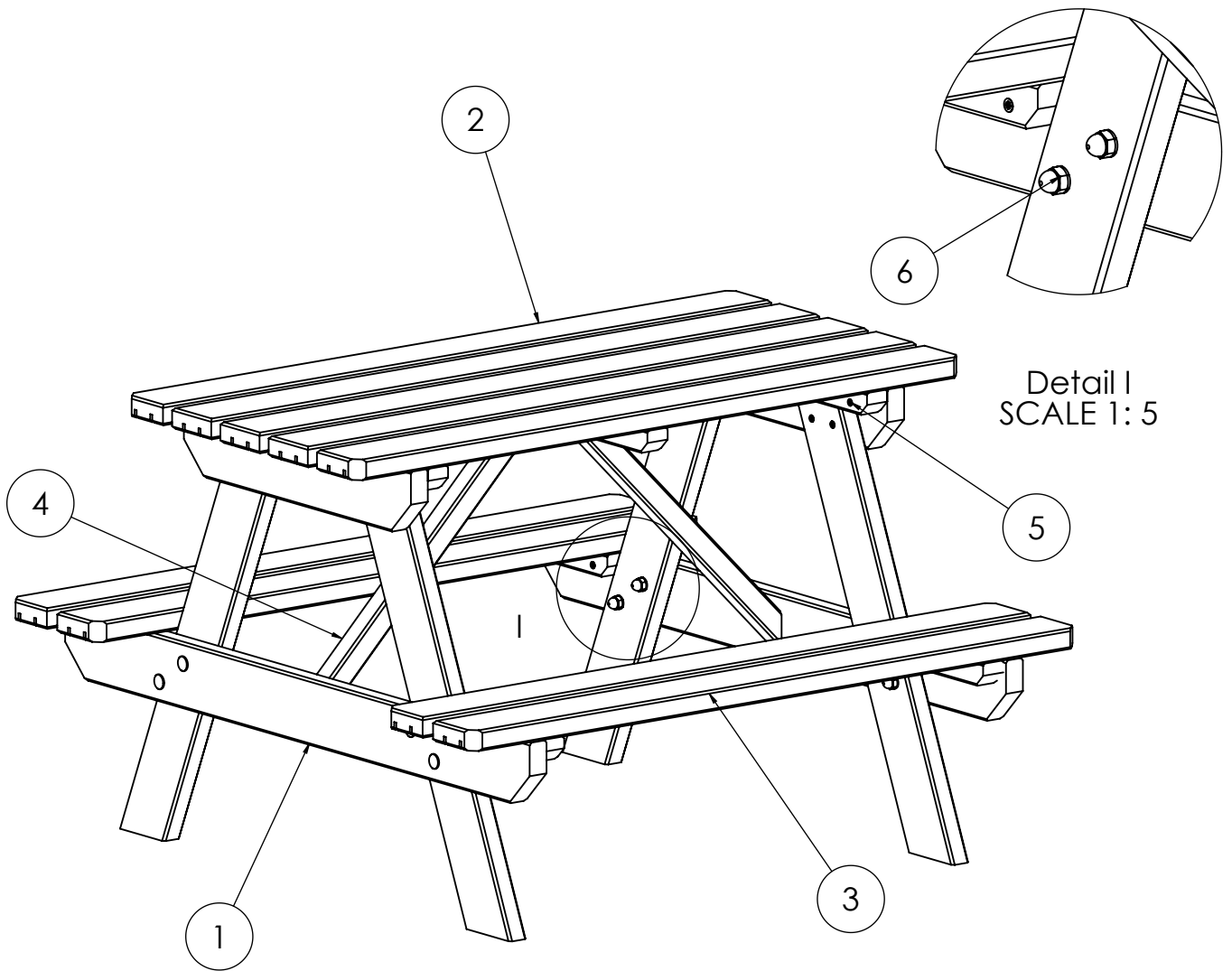


General requirements	
Navision reference	001893
Range level of the product*	1
Initial date of the drawing	05/03/2014
Packaging specifications	the palette must be treated class III and must not contain bark

\* 0: bottom of the range, 1: average range, 2: top of the range



	date of modification	cancel and withdraw the version of	causes of modification	number of unity per pallet	drawing by	validated by	number of pages
current version	17/02/2015	2014-03-05	Who asked : Richard Brel Why : screws too long What has changed : screws $\varnothing 4 \times 60 \rightarrow \varnothing 4 \times 50$	6	M.LECLERCQ		8
History	2014-03-05		NA	6	M. MROZ		8

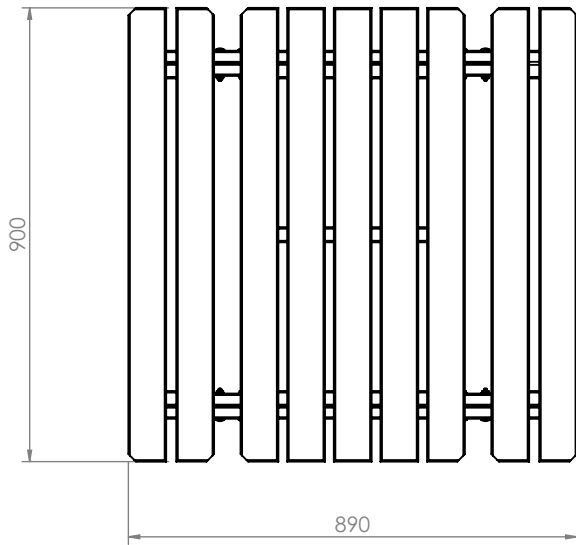
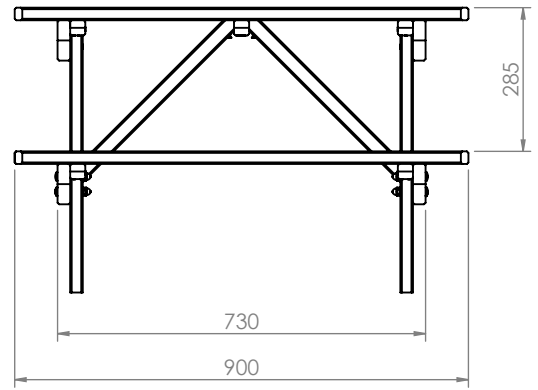
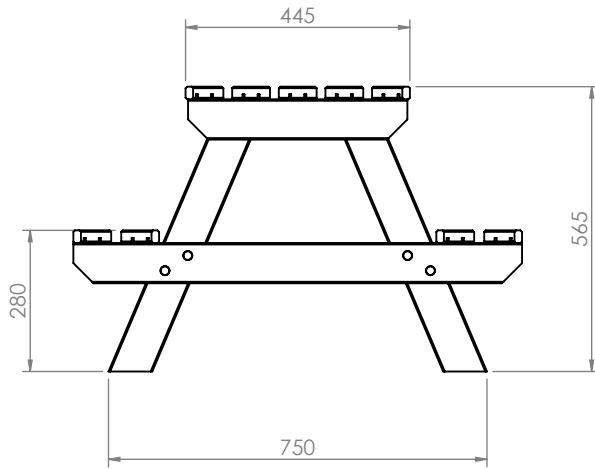


No. ARTICLE	DESIGNATION	QTY	COMMENTS
1	001893 - A	2	
2	001893 - B	1	
3	001893 - C	2	
4	001893 - D	2	
5	galvanized screws Ø4x50 mm	16	into blister supplied by FS
6	hexagonal plastic cup	8	into blister supplied by FS (MARCOPOL ZK6K M6)

REF : <b>001893</b>	DESIGNATION : <b>Table Aurea 90x90x56 cm</b>
------------------------	---



	NAME	DATE	
DRAWER	M. MROZ	17/02/2015	
CHECKER	H. DEZILEAUX		
SPECIES/MATERIAL: Pine		TREATMENT : autoclave Green class III	Pcs / Pal : 6
Volume :	0.0267 (m3)	SCALE: 1:10	FOLIO : 2 / 8



REF :  
001893

DESIGNATION :

Table Aurea 90x90x56 cm



	NAME	DATE
DRAWER	M. MROZ	17/02/2015
CHECKER	H. DEZILEAUX	

SPECIES/MATERIAL:

Pine

TREATMENT :

autoclave Green class III

Pcs / Pal :

6

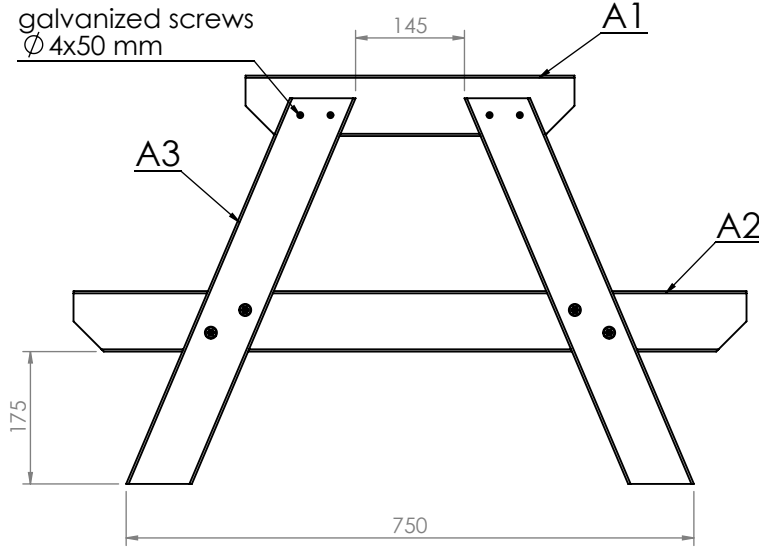
Volume : 0.0267 (m3)

SCALE: 1:15

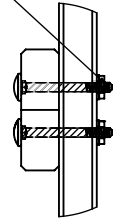
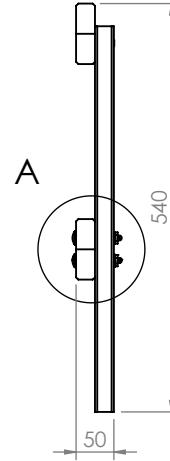
FOLIO : 3 / 8

A

galvanized screws  
Ø 4x50 mm

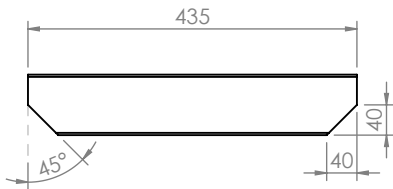


4x stainless steel bolts  
Ø 6x60 mm with  
washer and nut



DETAIL A  
SCALE 1 : 5

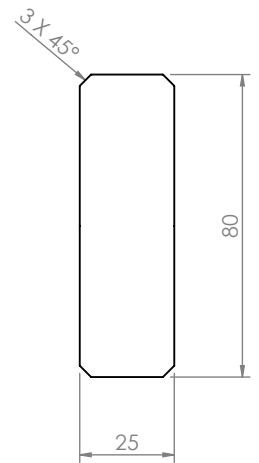
A1



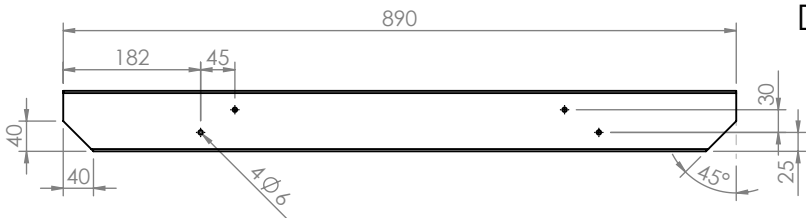
Detail I



Detail I  
SCALE 1 : 2



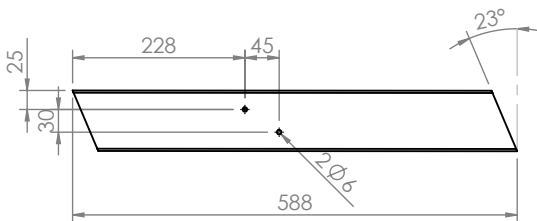
A2



Detail I



A3



Detail I



REF :  
001893

DESIGNATION :

Table Aurea 90x90x56 cm



	NAME	DATE
DRAWER	M. MROZ	17/02/2015
CHECKER	H. DEZILEAUX	

SPECIES/MATERIAL:

Pine

TREATMENT :

autoclave Green class III

Pcs / Pal :

6

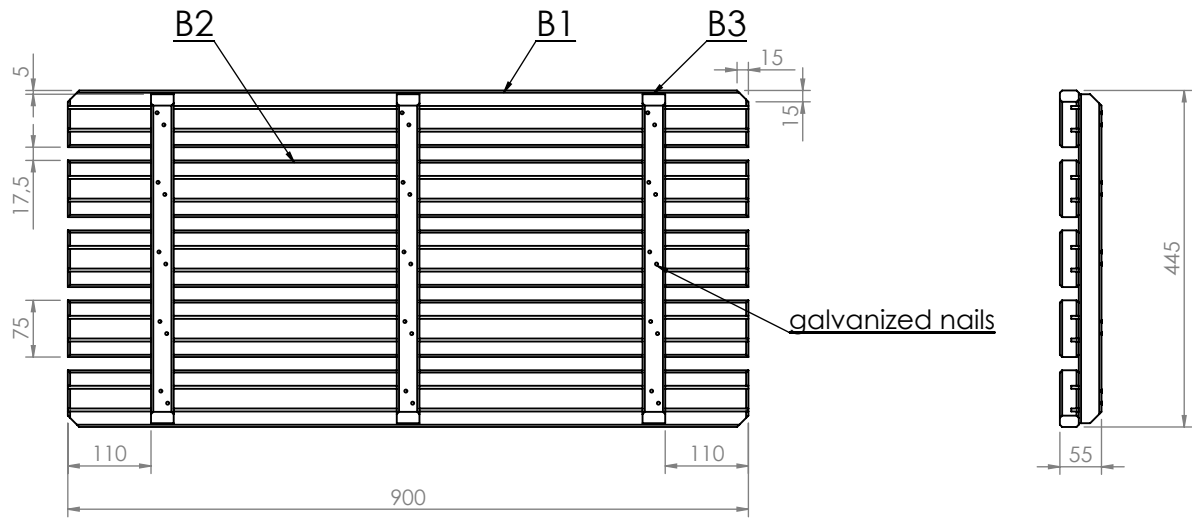
Volume : 0.0048 (m3)

SCALE: 1:10, 1:2

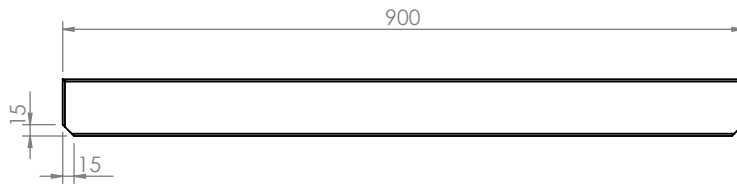
FOLIO :

4 / 8

B



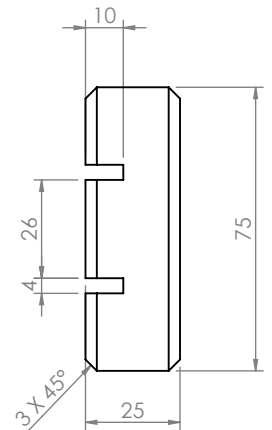
B1



Detail I



Detail I  
SCALE 1 : 2



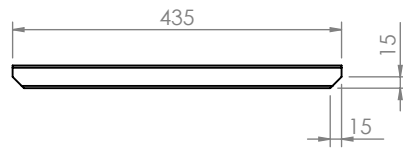
B2



Detail I



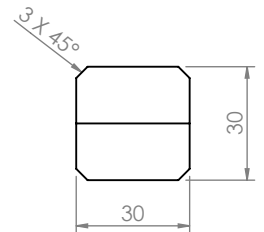
B3



Detail II



Detail II  
SCALE 1 : 2



REF :  
001893

DESIGNATION :

Table Aurea 90x90x56 cm



	NAME	DATE
DRAWER	M. MROZ	17/02/2015
CHECKER	H. DEZILEAUX	

SPECIES/MATERIAL:

Pine

TREATMENT :

autoclave Green class III

Pcs / Pal :

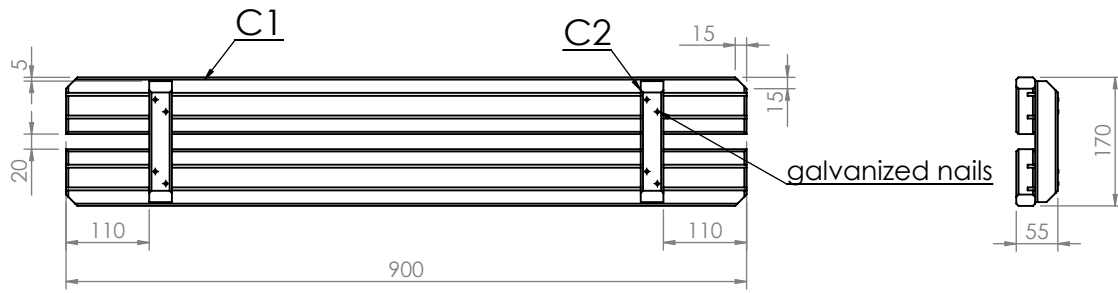
6

Volume : 0.0095 (m3)

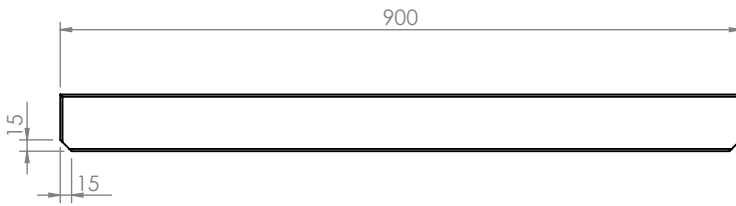
SCALE: 1:10, 1:2

FOLIO : 5 / 8

C



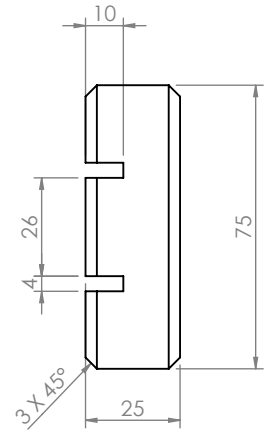
C1



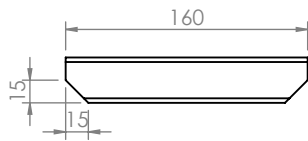
Detail I



Detail I  
SCALE 1 : 2



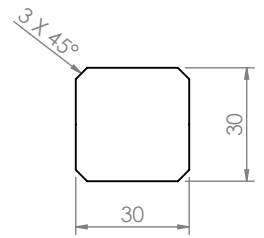
C2



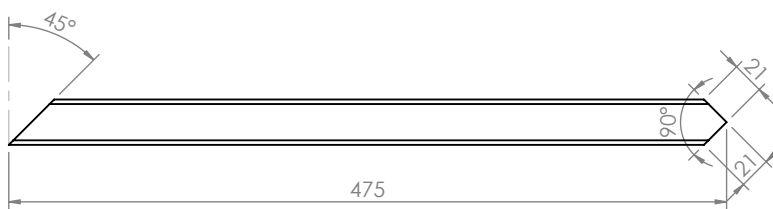
Detail II



Detail II  
SCALE 1 : 2



D



Detail II



REF :  
001893

DESIGNATION :

Table Aurea 90x90x56 cm



	NAME	DATE
DRAWER	M. MROZ	17/02/2015
CHECKER	H. DEZILEAUX	
SPECIES/MATERIAL:		
Pine		
Volume :	0.0035	(m3)

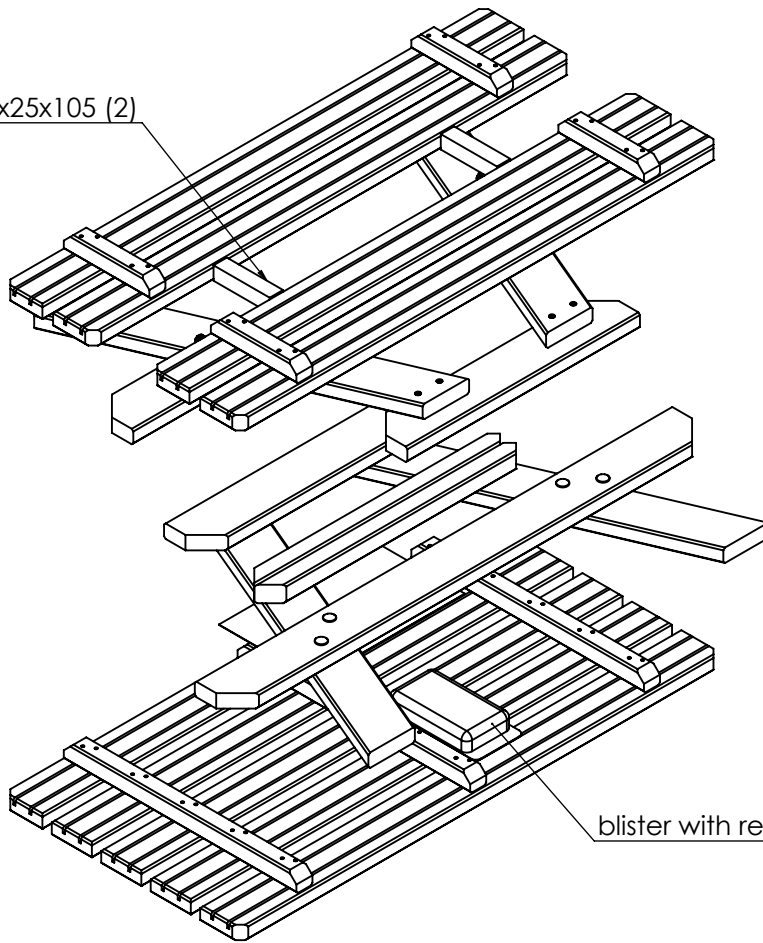
TREATMENT :  
autoclave Green class III

Pcs / Pal :  
6

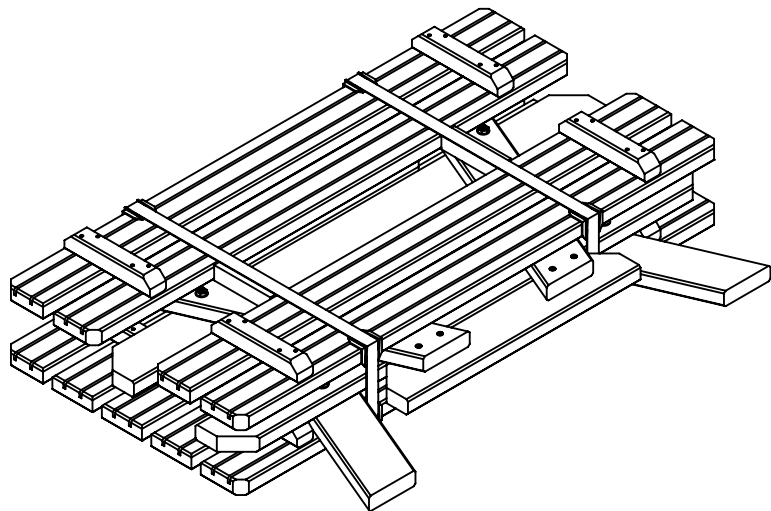
SCALE: 1:10,, 1:5, 1:2

FOLIO : 6 / 8

board 25x25x105 (2)



blister with red ribbon



REF :  
001893

DESIGNATION :  
Table Aurea 90x90x56 cm

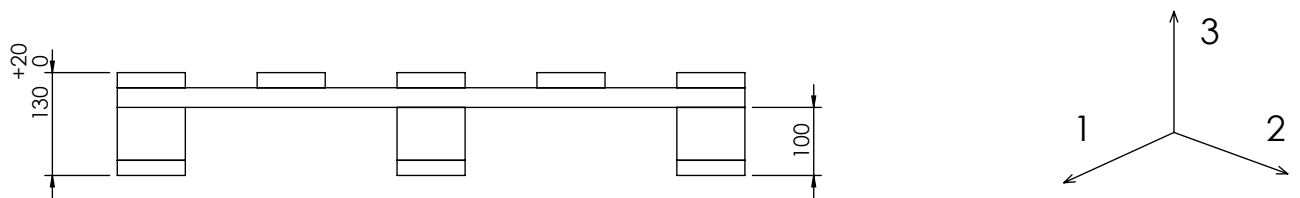
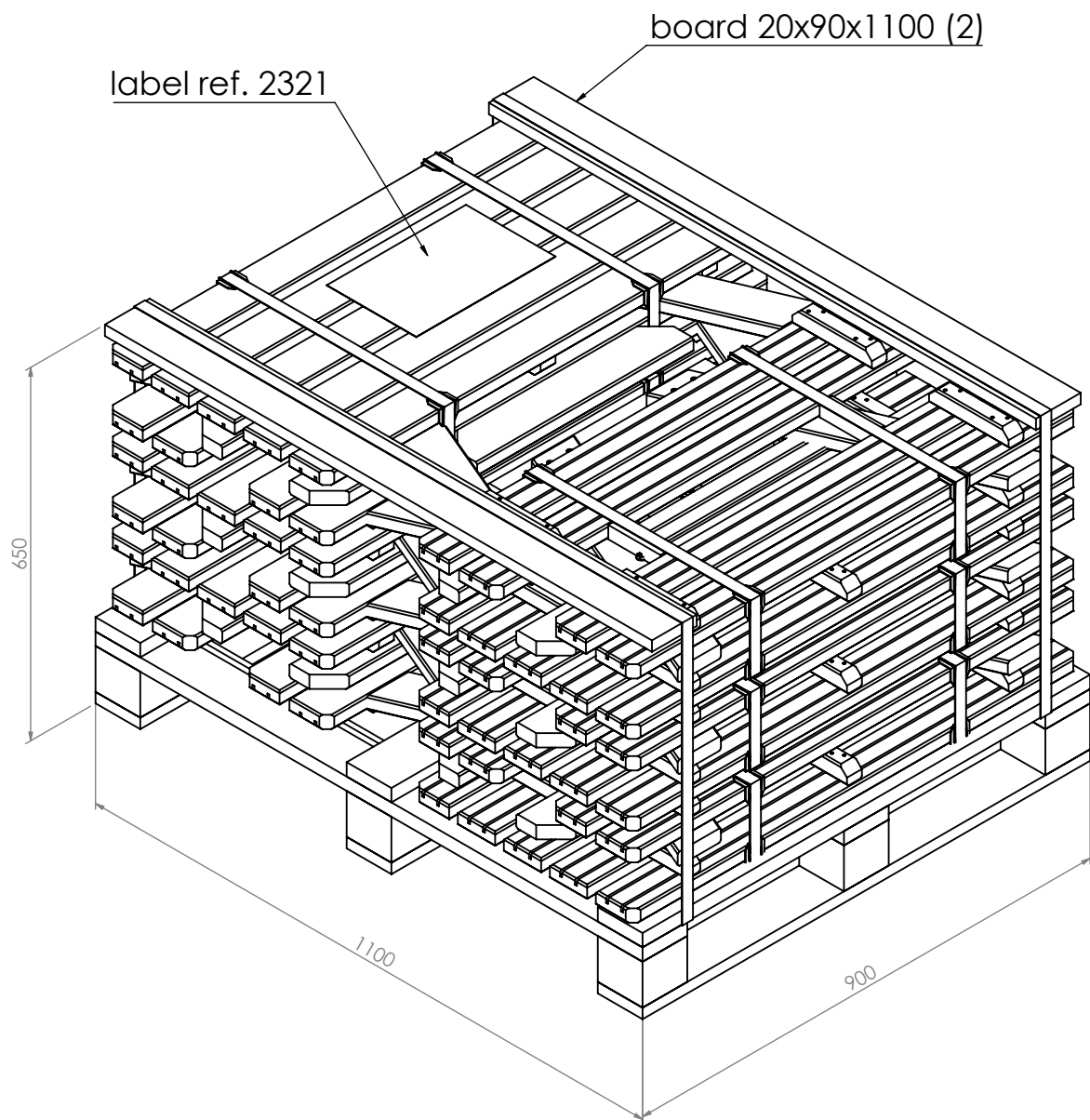


	NAME	DATE
DRAWER	M. MROZ	17/02/2015
CHECKER	H. DEZILEAUX	

SPECIES/MATERIAL:	Pine
Volume :	0.0272 (m3)

TREATMENT :	autoclave Green class III
SCALE:	1: 10

Pcs / Pal :	6
FOLIO :	7 / 8



REF :  
001893

DESIGNATION :

Table Aurea 90x90x56 cm



	NAME	DATE
DRAWER	M. MROZ	17/02/2015
CHECKER	H. DEZILEAUX	

SPECIES/MATERIAL:

Pine

TREATMENT :

autoclave Green class III

Pcs / Pal :

6

Volume : 0.1921 (m3)

SCALE: 1:15

FOLIO : 8 / 8