

Pergola Ancolie

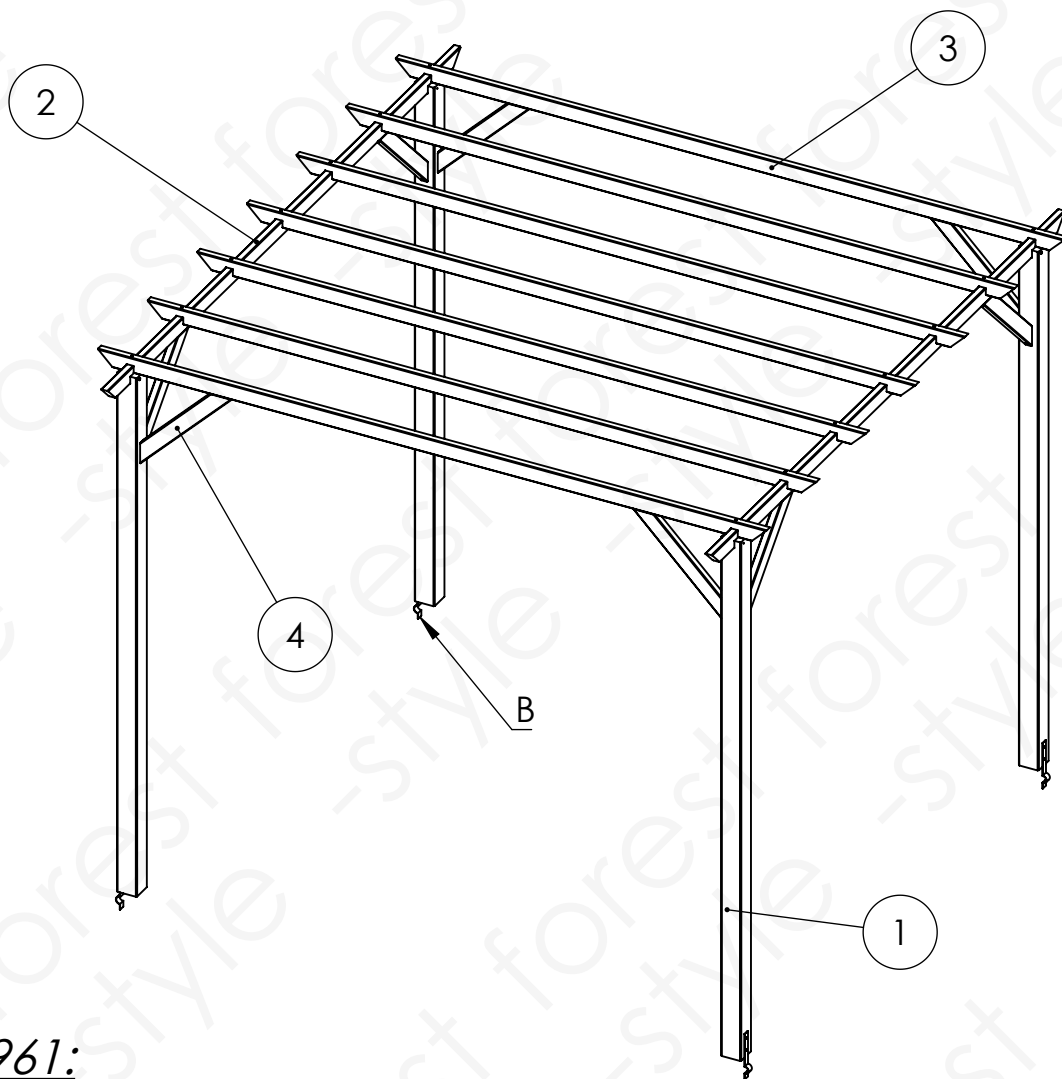
3000x3000x2470mm

FSC MIX CREDIT Pine



Product description	
Navision Reference	000369
Version	11
Product Specifications	Refers to SP.ACHA.04 Specifications
Quality Requirements	Refers to R.AC.01c Defects list

	Version	Comments/Modification	Drawing by	Date of drawing	Checker by	Date of validation
Actual version	11	Change in packaging	A.Trocki	13.10.2022		
History	10	Change in packaging	T.Conge / TD - A. Trocki	28.09.2022		
	9	1 product per unit	T.Conge / TD - A. Trocki	13.09.2022		
	8	Pallet dimensions updated (page 8)	T.Conge	2018-01-16	J.Busa	2018-01-16
	7	-Pallet updated -Layout updated	M.LECLERCQ	12/06/2015		
	6	Who asked : A.Savignat Why : change lenght A: 2400 and section 32x68 What has changed : A : 85x85-->90x90,blister	M.Mroz	19/12/2014		




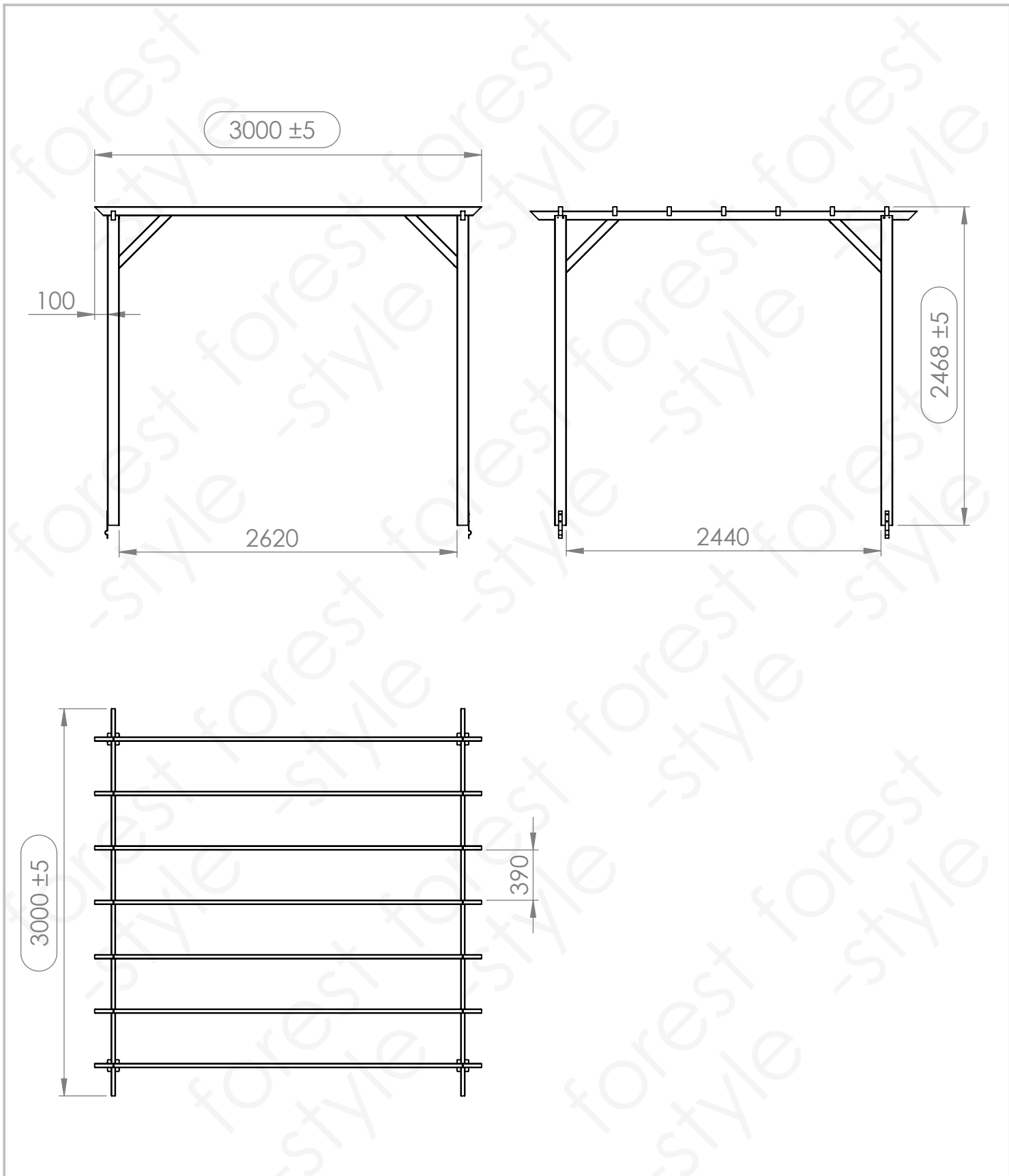
Blister ref.000961:


A	galvanized screws \varnothing 5x80mm	38
B	support seal	4

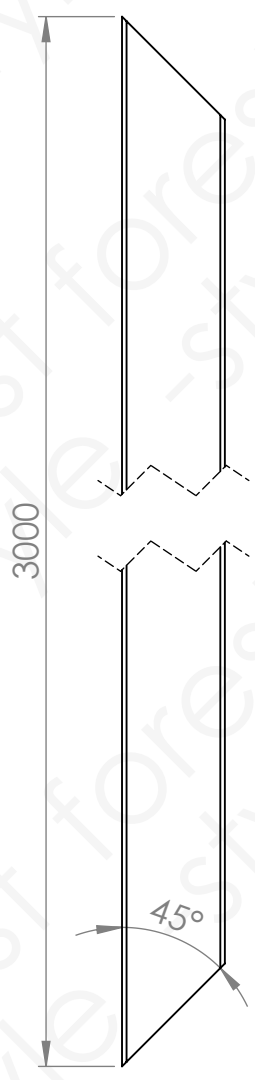
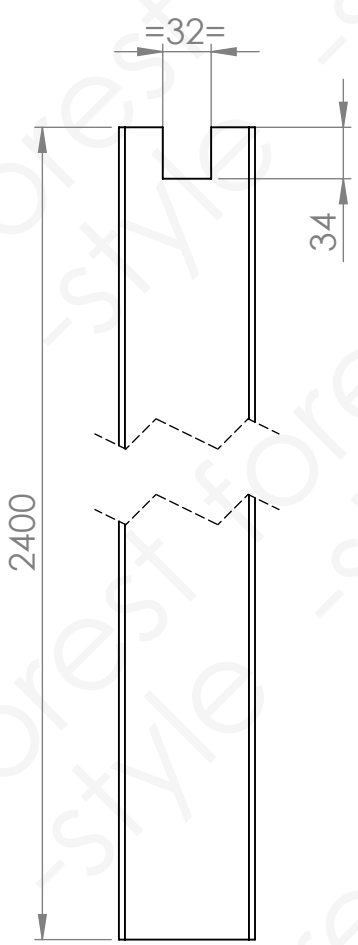
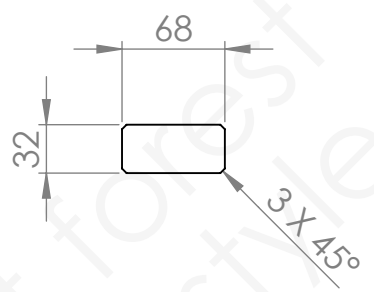
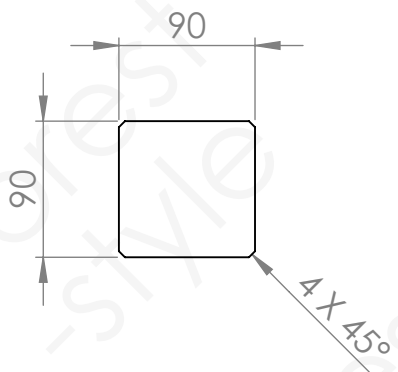
No. ARTICLE	DESCRIPTION	LENGTH	QTY
1	90x90_ch4	2400	4
2	32x68_ch3	3000	2
3	32x68_ch3	3000	7
4	32x68_ch3	580	8

REF : 000369	DESIGNATION : Pergola Ancolie 3000x3000x2470mm
------------------------	--

 <p>ENJOY YOUR GARDEN</p>	DRAWER	NAME A.Trocki	DATE 13.10.2022
	CHECKER		
	SPECIES/MATERIAL: Pine		TREATMENT : autoclave Green class III
Net volume: 0.1424 (m3)		SCALE: 1:30	FOLIO : 2 / 8



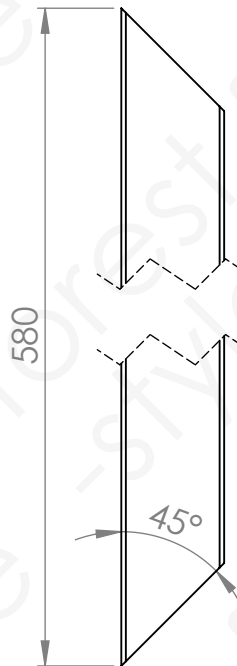
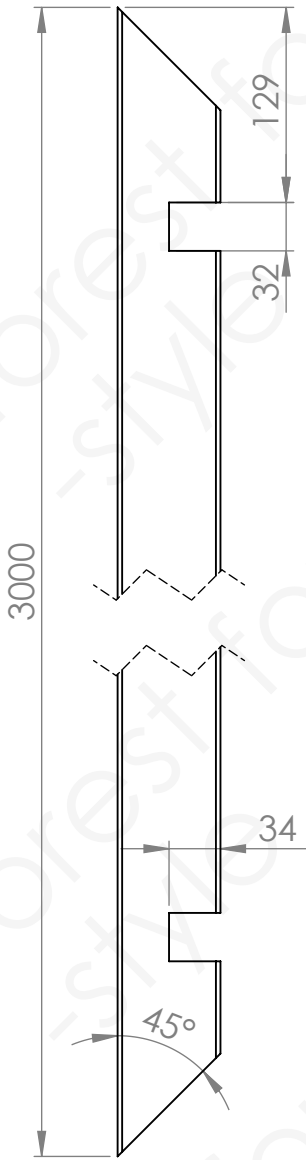
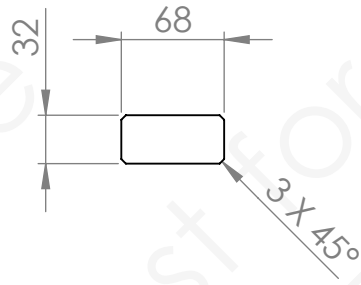
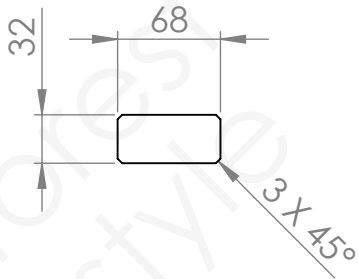
REF : 000369		DESIGNATION : Pergola Ancolie 3000x3000x2470mm			
 ENJOY YOUR GARDEN	DRAWER	NAME	DATE		
	CHECKER	A.Trocki	13.10.2022		
	SPECIES/MATERIAL:		TREATMENT :		Pcs / Pal :
	Pine		autoclave Green class III		4
Net volume: 0.1424 (m3)		SCALE: 1:40		FOLIO : 3 / 8	



1

2

REF : 000369		DESIGNATION : Pergola Ancolie 3000x3000x2470mm			
	DRAWER	NAME	DATE	Pieces 1-1(x4) , 2-1(x2)	
	CHECKER	A.Trocki	13.10.2022		
	SPECIES/MATERIAL:			TREATMENT :	Pcs / Pal :
	Pine			autoclave Green class III	4
Net volume: 0.0193 (m3)		SCALE:	1:5	FOLIO :	4 / 8



3

4

REF :
000369

DESIGNATION :
Pergola Ancolie 3000x3000x2470mm

forest-style
ENJOY YOUR GARDEN

	NAME	DATE
DRAWER	A.Trocki	13.10.2022
CHECKER		

Pieces 3-1(x6) , 4-1(x8)

SPECIES/MATERIAL:
Pine

TREATMENT :
autoclave Green class III

Pcs / Pal :
4

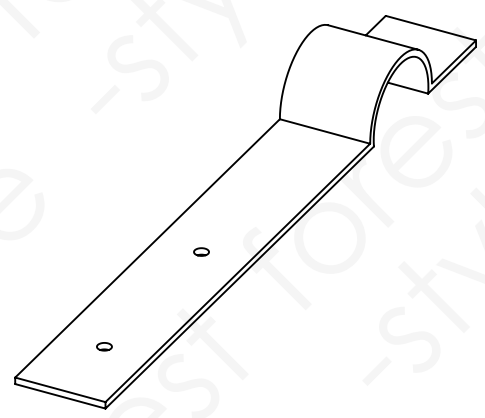
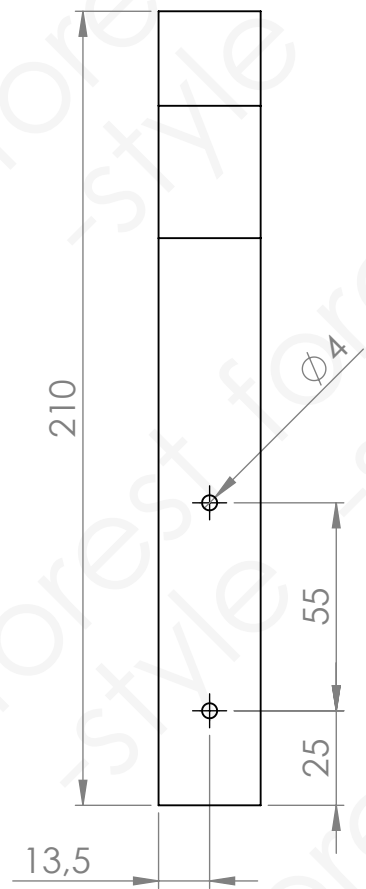
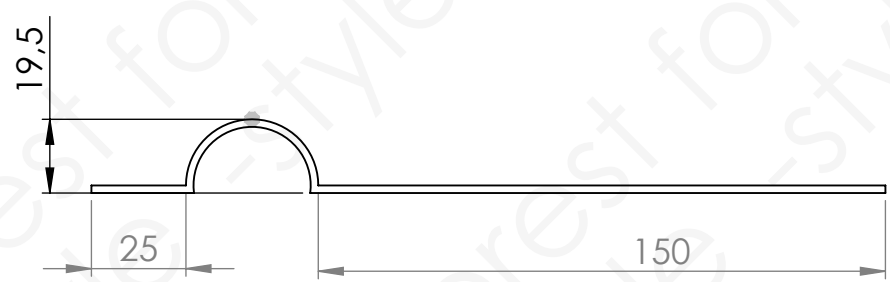
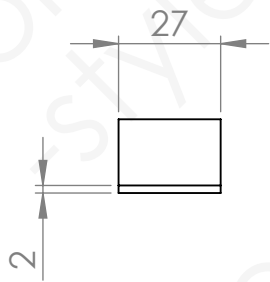
Net volume: 0.0063 (m3)


SCALE: 1:5

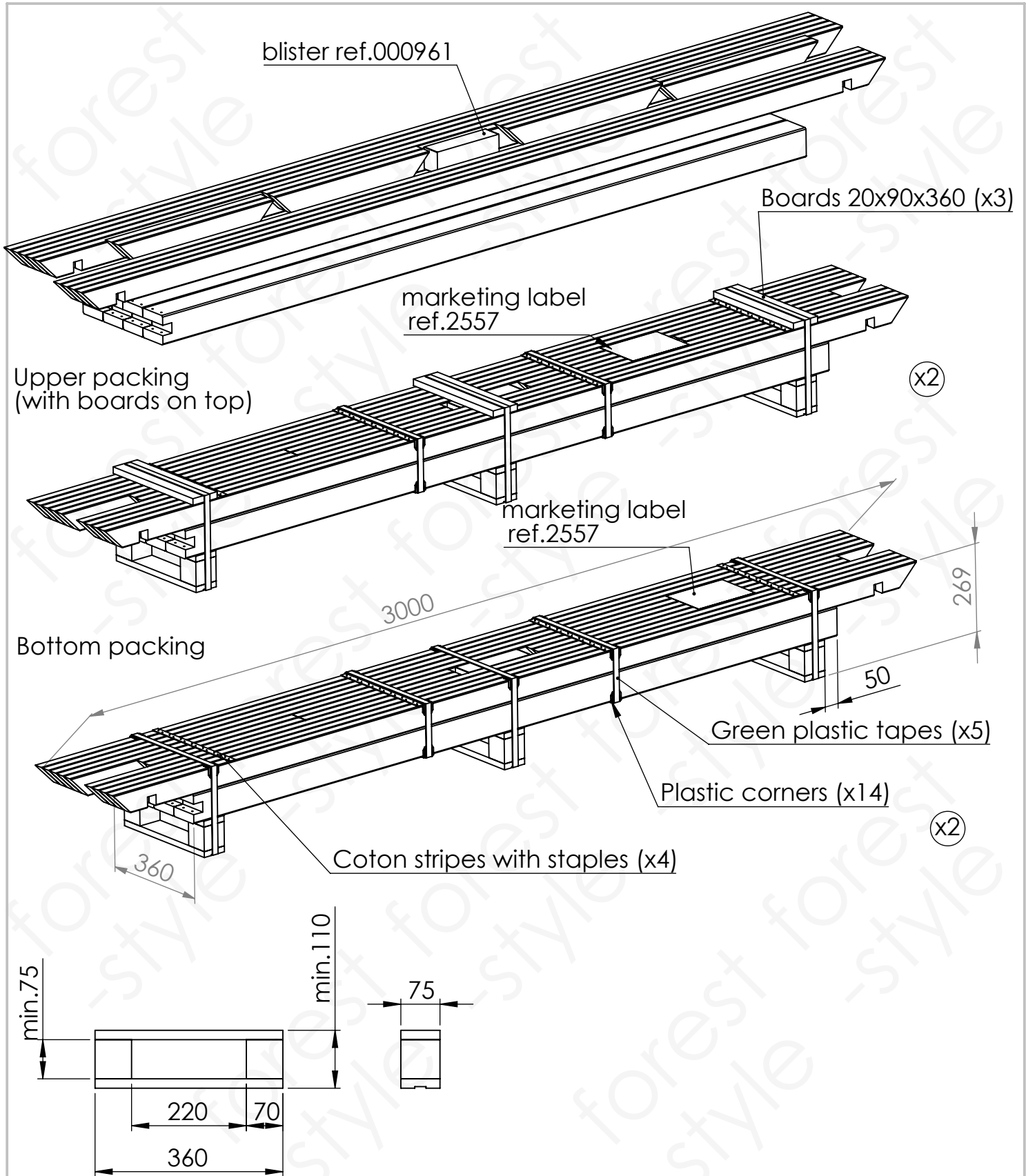
FOLIO : 5 / 8


©

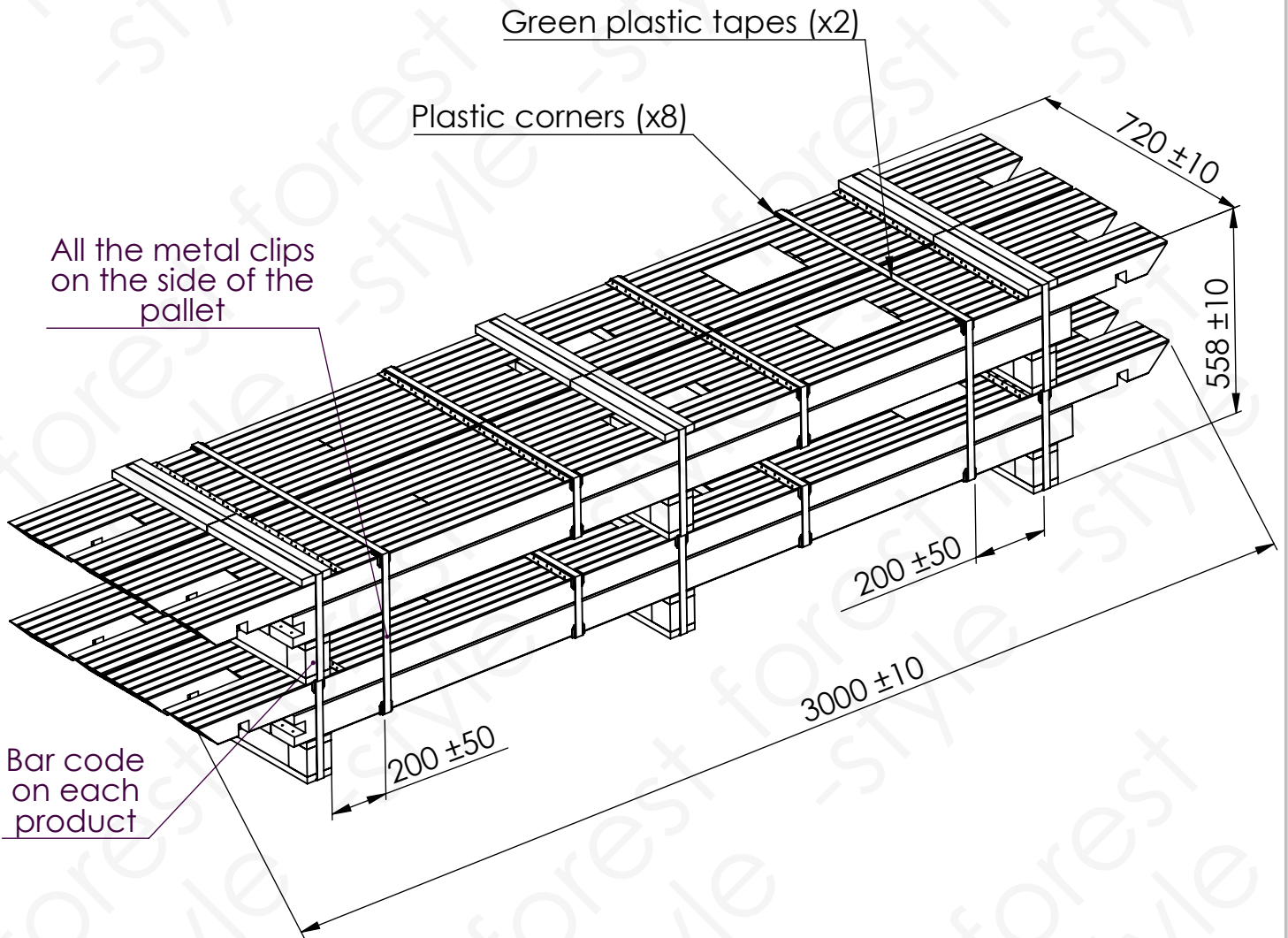
All rights reserved. Total or partial reproduction strictly forbidden.




REF : 000369	DESIGNATION : Pergola Ancolie 3000x3000x2470mm			
	DRAWER	NAME A.Trocki	DATE 13.10.2022	B : support seal
	CHECKER			
	SPECIES/MATERIAL: Pine	TREATMENT : autoclave Green class III	Pcs / Pal : 4	
SCALE: 1:2		FOLIO : 6 / 8		



REF : 000369	DESIGNATION : Pergola Ancolie 3000x3000x2470mm			
	DRAWER	NAME A.Trocki	DATE 13.10.2022	
	CHECKER			
	SPECIES/MATERIAL: Pine		TREATMENT : autoclave Green class III	Pcs / Pal : 4
	Net volume: 0.1488 (m3)		SCALE: 1:15	FOLIO : 7 / 8



The pallet must be treated class III at 100% and must not contain barks.

REF : 000369	DESIGNATION : Pergola Ancolie 3000x3000x2470mm			
	DRAWER	NAME A.Trocki	DATE 13.10.2022	
	CHECKER			
	SPECIES/MATERIAL: Pine		TREATMENT : autoclave Green class III	Pcs / Pal : 4
	Net volume: 0.5995 (m3)		SCALE: 1: 18	FOLIO : 8 / 8