

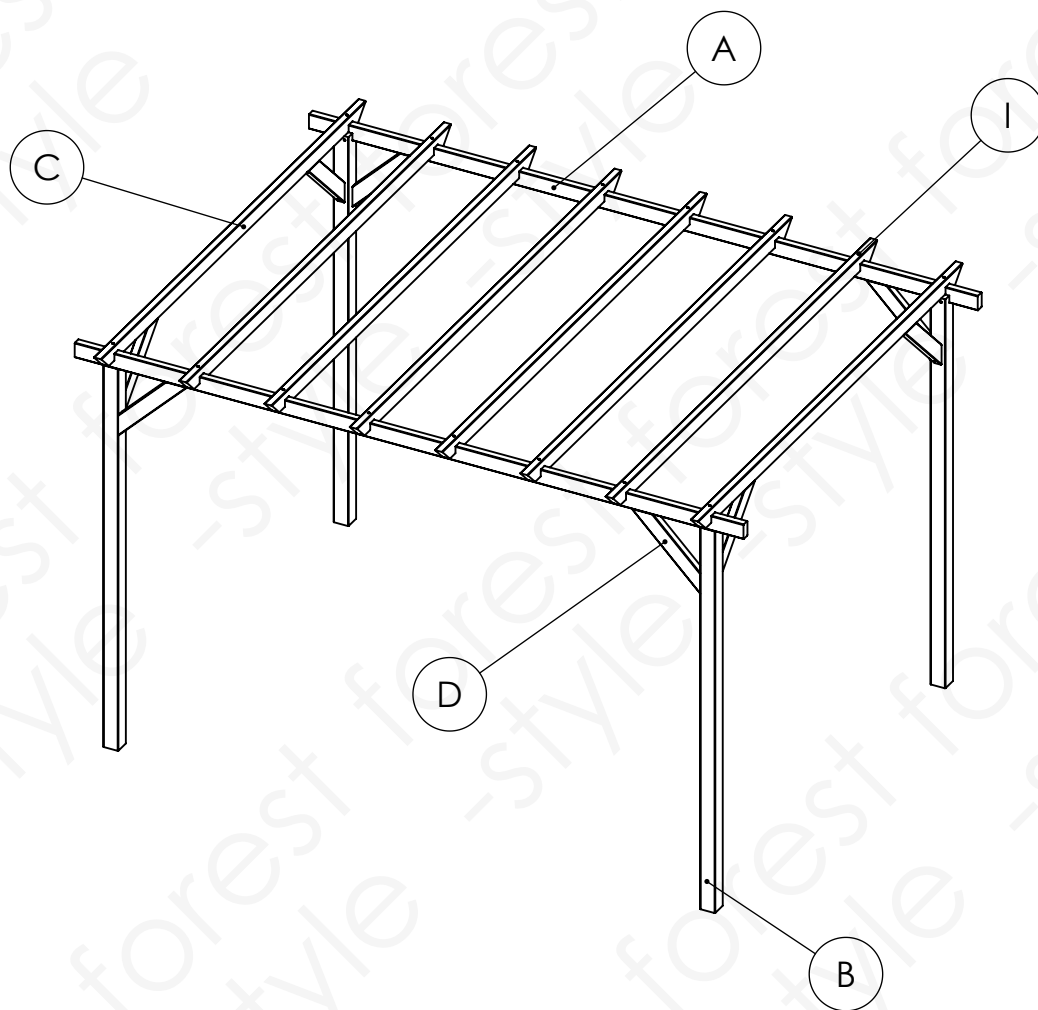
Pergola Magdalie 8 traverses

FSC MIX CREDIT Pine




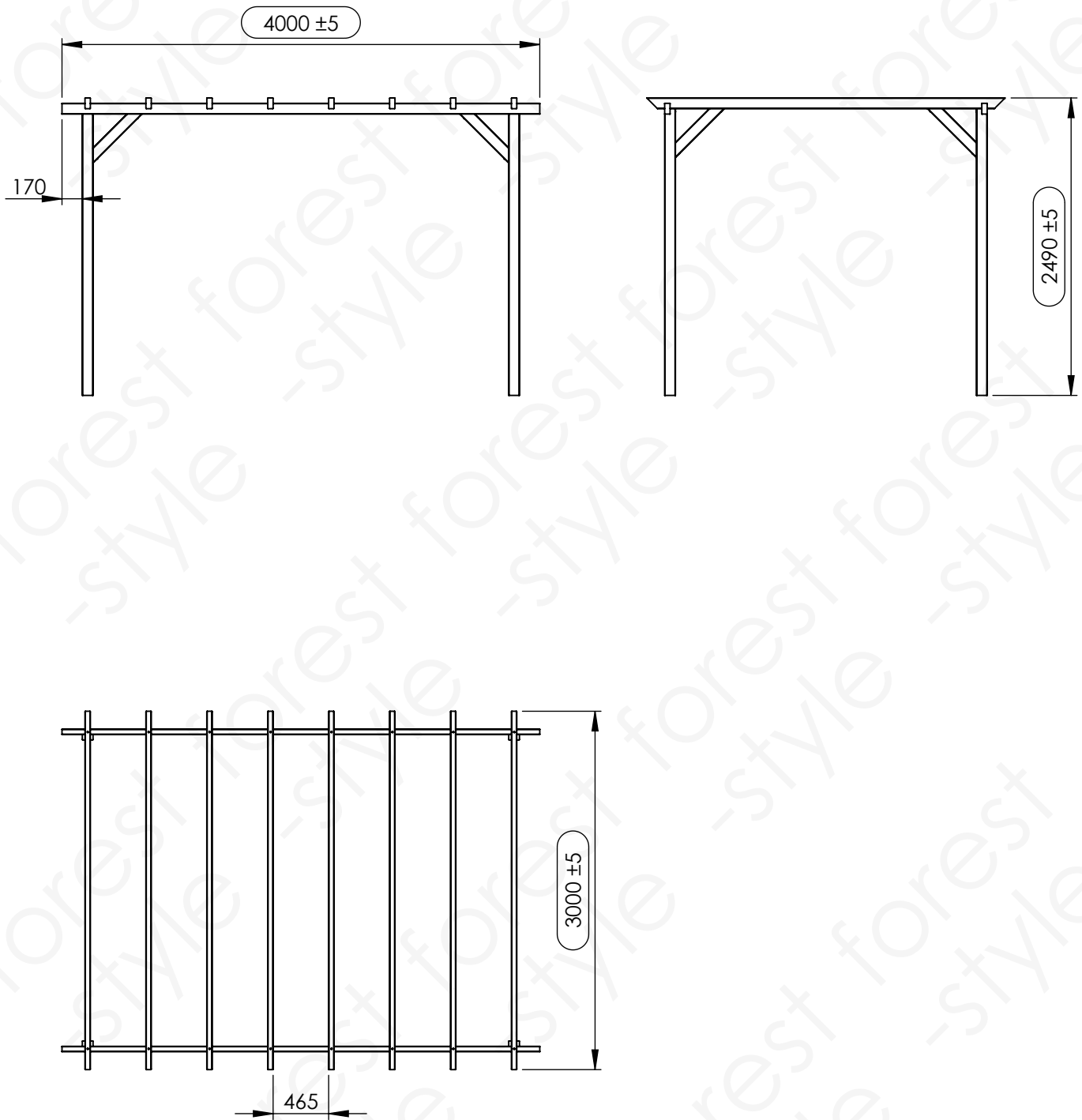
Product description	
Navision Reference	002515
Version	2
Product Specifications	Refers to SP.ACHA.03 Specifications
Quality Requirements	Refers to R.AC.01c Defects list


	Version	Comments/Modification	Drawing by	Date of drawing	Checker by	Date of validation
Actual version	2	-Pallet updated -Layout updated	T.Conge	2018-01-16	J.Busa	2018-01-16
History	1	NA	M. LECLERCQ	2015-07-07		

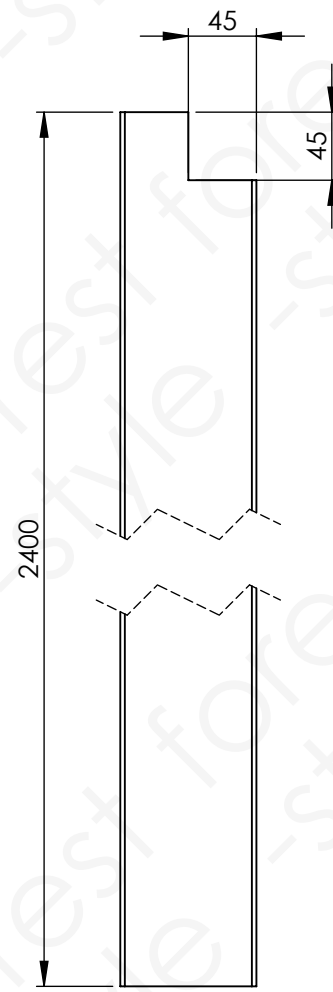
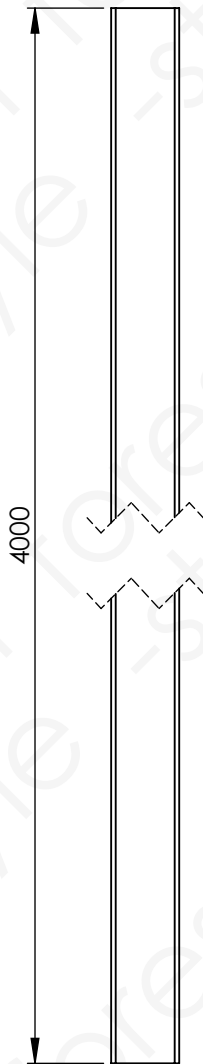
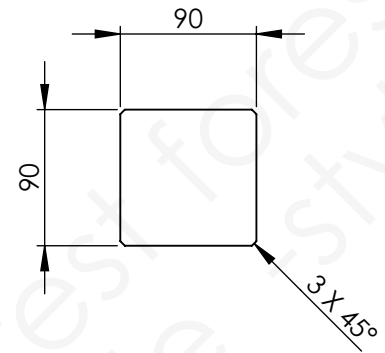
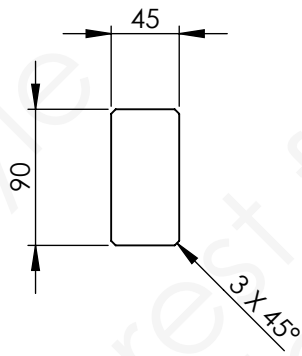


No. ARTICLE	DESCRIPTION	LENGTH	QTY
A	45x90_ch3	4000	2
B	90x90_ch3	2400	4
C	45x90_ch3	3000	8
D	45x90_ch3	580	8
I	galvanized screw \varnothing 5x80 mm (into blister)		40

REF : 002515		DESIGNATION : Pergola Magdalie 8 traverses		
 <small>ENJOY YOUR GARDEN</small>		NAME	DATE	
	DRAWER	T.Conge	2018-01-16	
	CHECKER	J.Busca	2018-01-16	
	SPECIES/MATERIAL: Pine		TREATMENT : autoclave Brown class III	
Net volume: 0.2174 (m3)		SCALE: 1:40	FOLIO : 2 / 7	



REF : 002515	DESIGNATION : Pergola Magdalie 8 traverses			
 ENJOY YOUR GARDEN		NAME	DATE	
	DRAWER	T.Conge	2018-01-16	
	CHECKER	J.Busca	2018-01-16	
	SPECIES/MATERIAL: Pine		TREATMENT : autoclave Brown class III	
Net volume: 0.2174 (m3)		SCALE: 1:50		FOLIO : 3 / 7



A

B

REF :
002515

DESIGNATION :
Pergola Magdalie 8 traverses

forest-style
ENJOY YOUR GARDEN

	NAME	DATE
DRAWER	T.Conge	2018-01-16
CHECKER	J.Busa	2018-01-16

Pieces 1-1(x2) , 2-1(x4)

SPECIES/MATERIAL:
Pine

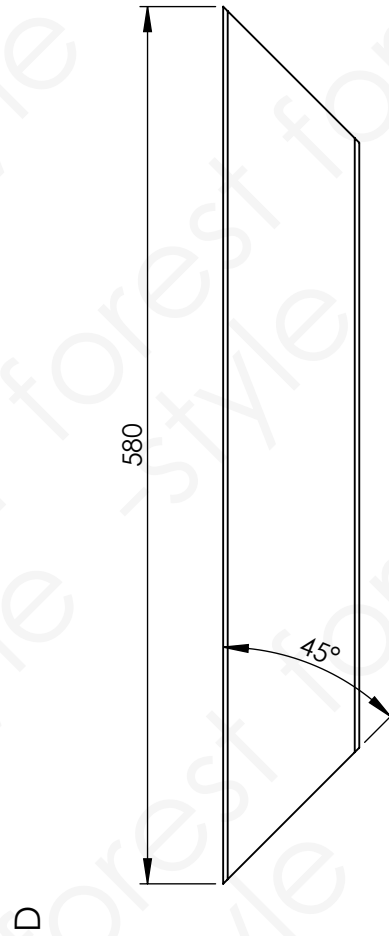
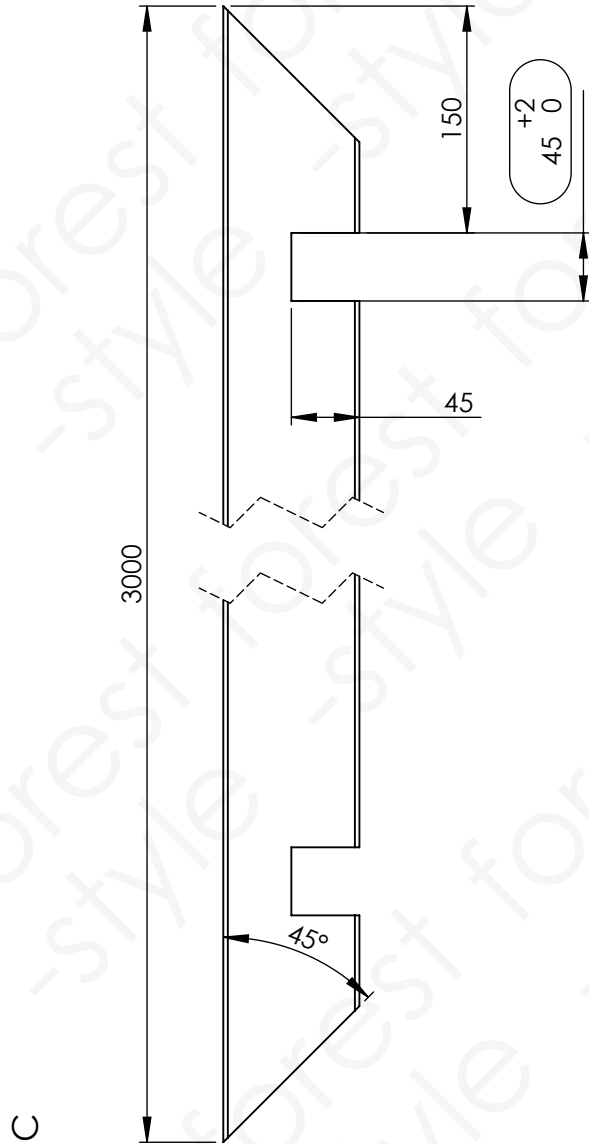
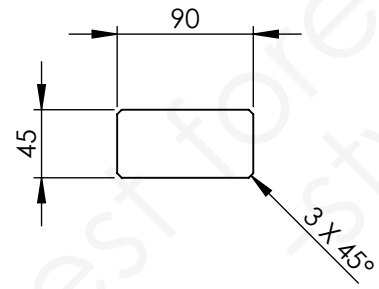
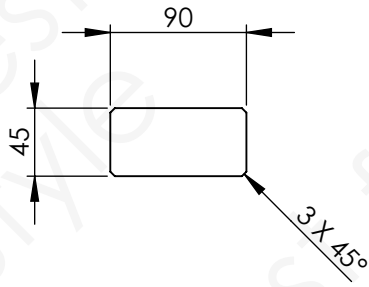
TREATMENT :
autoclave Brown class III

Pcs / Pal :
4

Net volume: 0.0192 (m3)

SCALE: 1:5

FOLIO : 4 / 7



REF :
002515

DESIGNATION :
Pergola Magdalie 8 traverses

forest-style
ENJOY YOUR GARDEN

	NAME	DATE
DRAWER	T.Conge	2018-01-16
CHECKER	J.Busca	2018-01-16

Pieces 3-1(x8) , 4-1(x8)

SPECIES/MATERIAL:
Pine

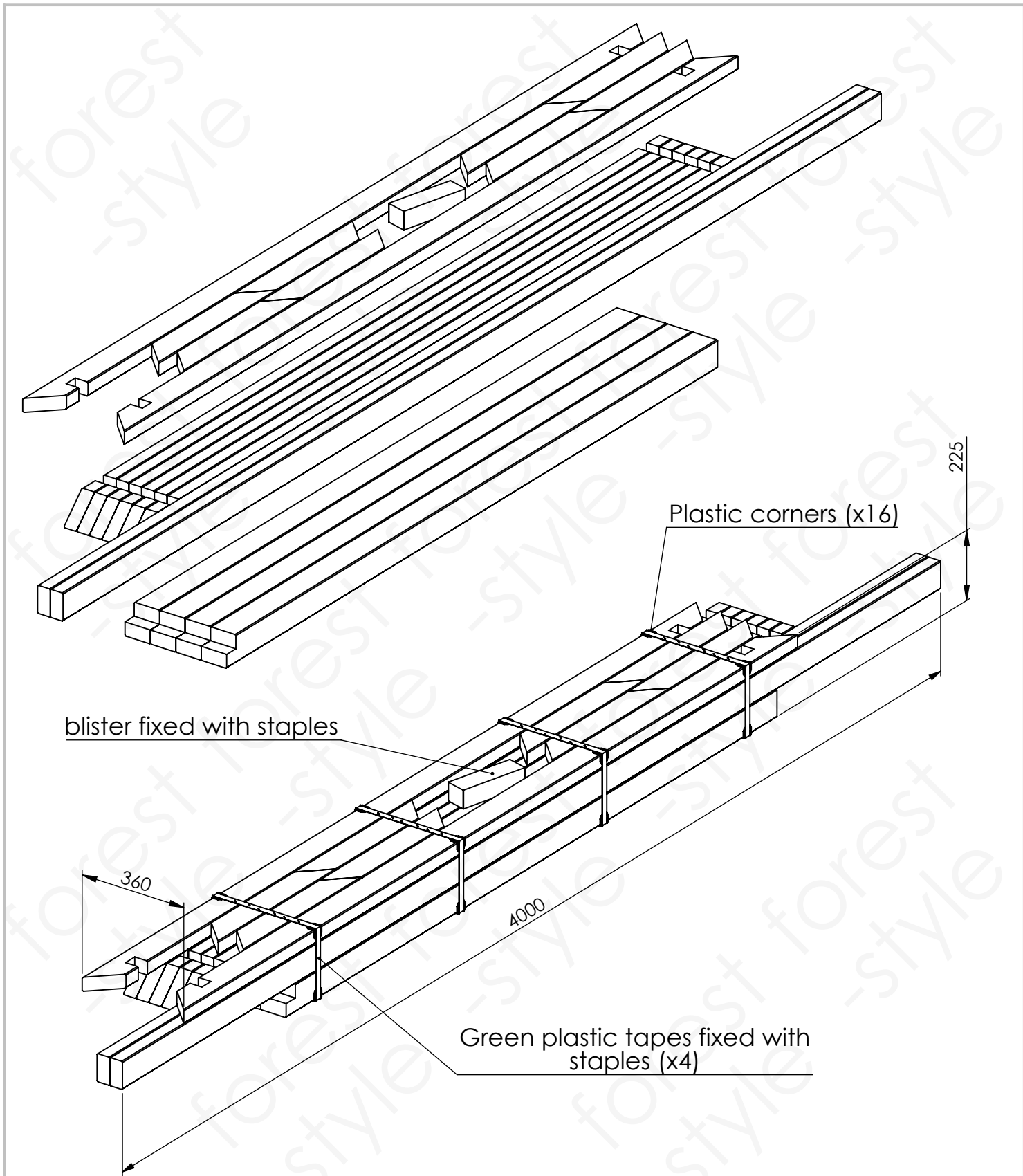
TREATMENT :
autoclave Brown class III


Pcs / Pal :
4

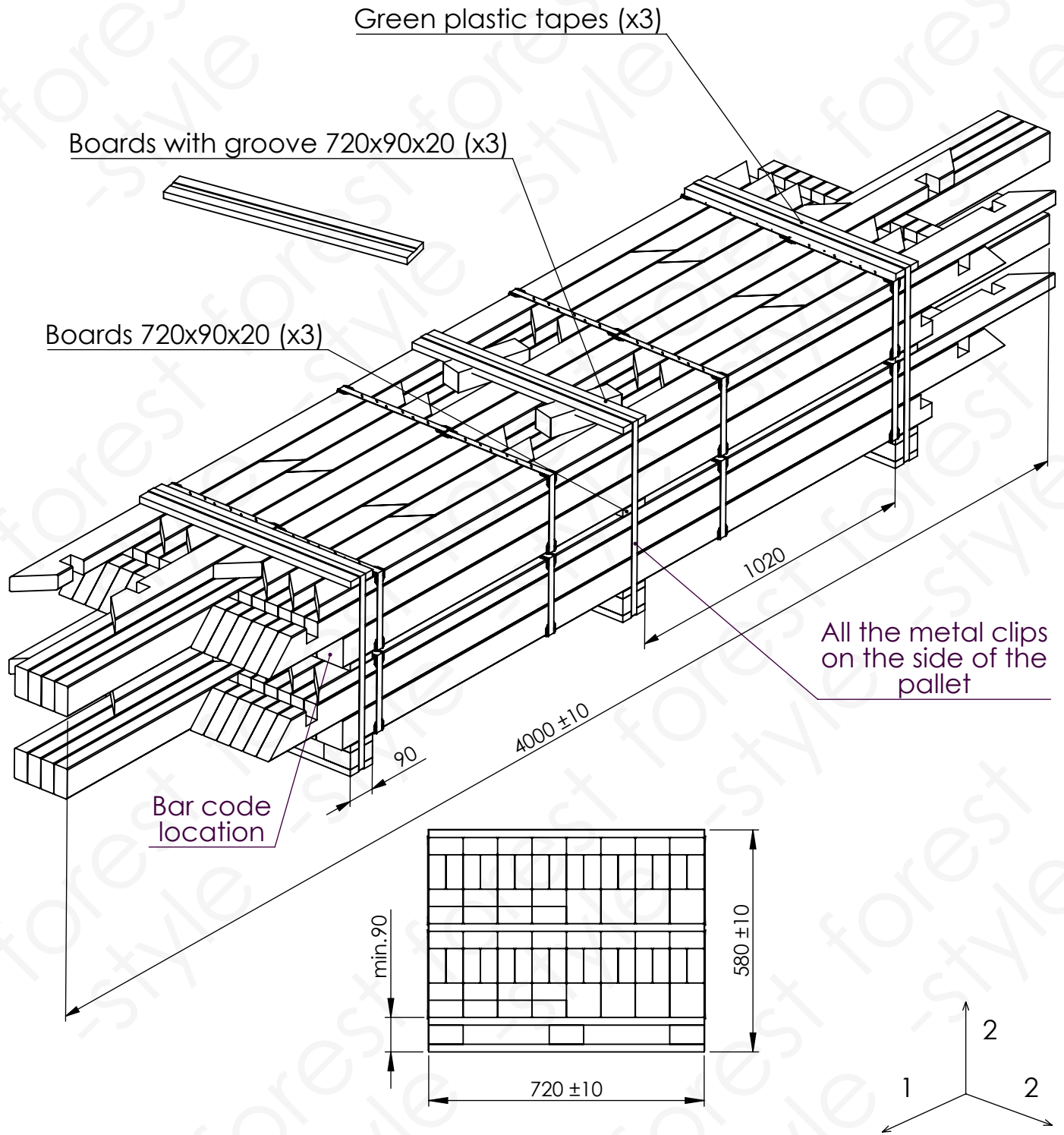
Net volume: 0.0116 (m3)

SCALE: 1:5


FOLIO : 5 / 7



REF : 002515		DESIGNATION : Pergola Magdalie 8 traverses			
	DRAWER	NAME	DATE	Packaging	
	CHECKER	T.Conge	2018-01-16		
		J.Busca	2018-01-16	TREATMENT : autoclave Brown class III	
	SPECIES/MATERIAL: Pine			Pcs / Pal : 4	
	Net volume: 0.2184 (m3)			SCALE: 1:15	FOLIO : 6 / 7



The pallet must be treated class III at 100% and must not contain barks.

REF : 002515	DESIGNATION : Pergola Magdalie 8 traverses			
	DRAWER	NAME T.Conge	DATE 2018-01-16	
	CHECKER	J.Busca	2018-01-16	
	SPECIES/MATERIAL: Pine		TREATMENT : autoclave Brown class III	Pallet
	Net volume: 0.8928 (m3)	SCALE: 1:15	FOLIO: 7 / 7	Pcs / Pal: 4