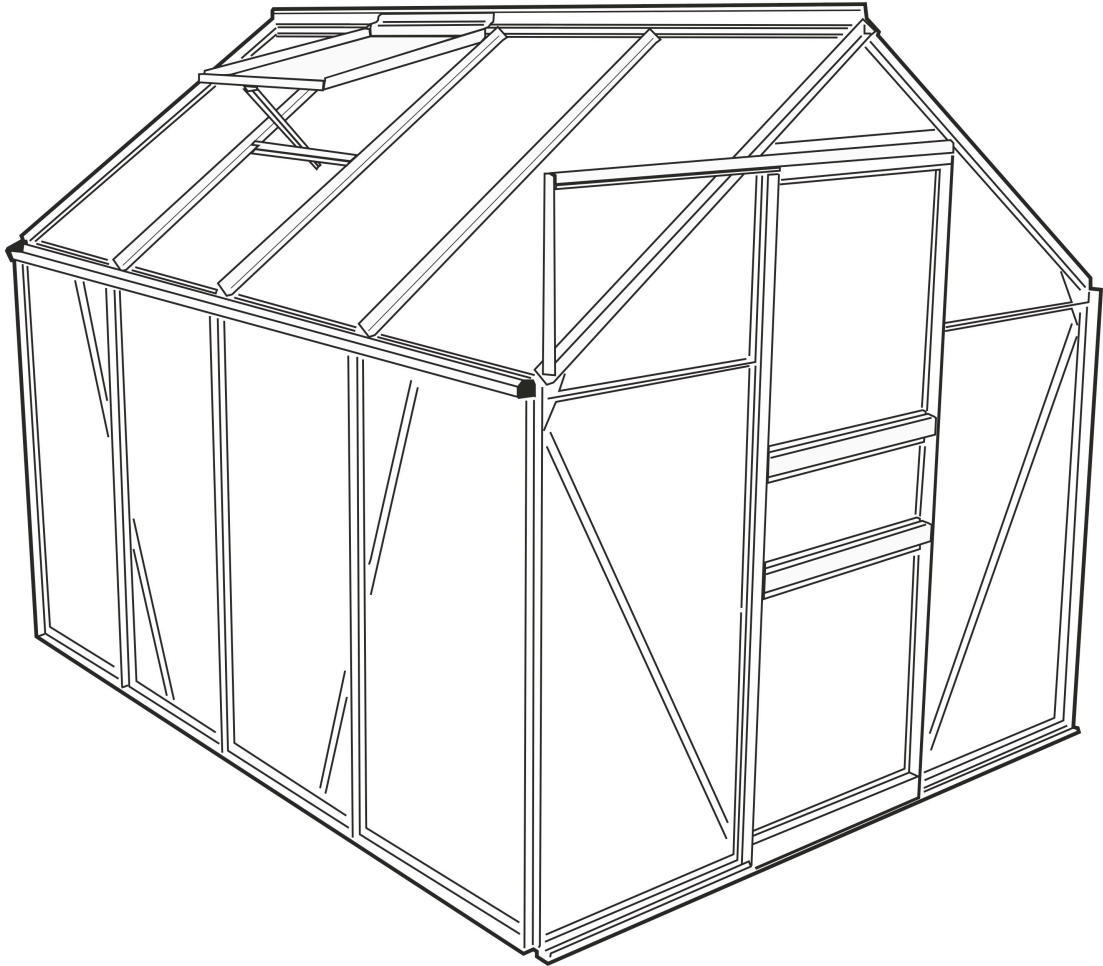


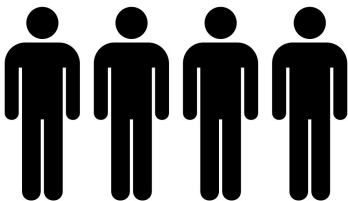
Aluminium Greenhouse

4 sections , 190 x 250 x 124 / 195 cm



Assembly requires

- 4 person
- Bolt driver
- Spanner



Tips:

Read this directions carefully and keep it for further insight.

Each step will be explained in detail.

And there are illustrations to show the actually location of the spareparts.

Notice:

The foundation is not included.

Parts of the building must be tight enough.

The suitable foundation will supplied as optional accessories.

You will find instruction of self-build foundation on page-7.



Wear gloves during the assembly.

The corners and edges of the parts may be sharp and hard.

Be careful to avoid getting injured.

Leave enough time to finish assembly and adjustment.

Keep the greenhouse dry and freeze-free when not in use.

Do not press or poke hard on the hollow boards.

Keep all the parts away from fire and sparks.

Before assembly:

Find a flat and smooth ground before your assembling begins.

Learn the assembly manual carefully and follow each step strictly.

Check all attached parts for completeness.

Prepare all the spare parts and necessary tools(not included) before assembly.

Assemble the greenhouse under the dry weather.

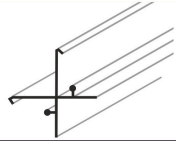
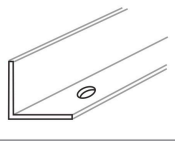
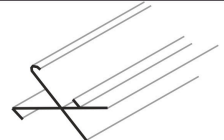
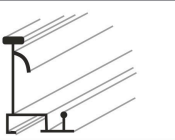
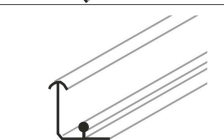
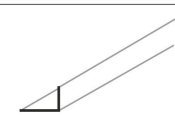
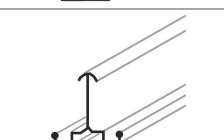
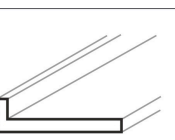
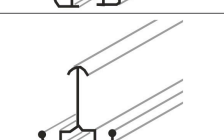
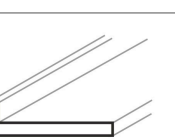
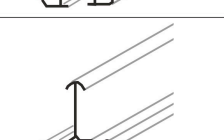
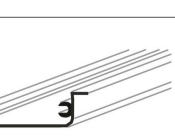
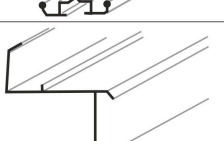
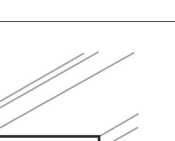
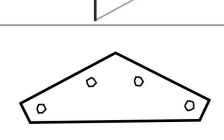
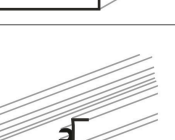
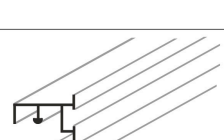

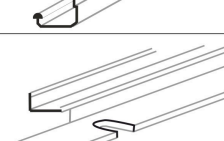
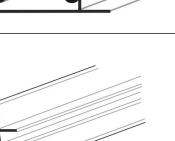
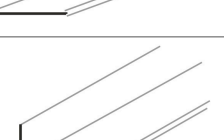
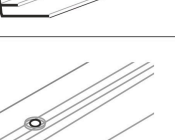
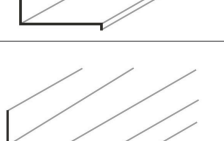
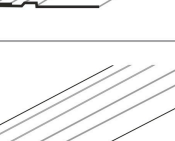
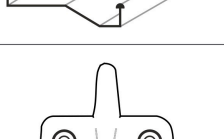
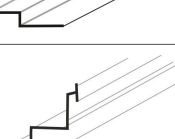
Construction is never carried out in strong wind or under bad weather.

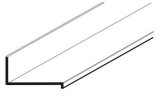
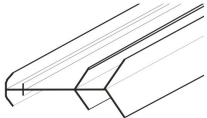
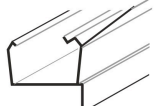
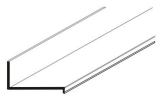
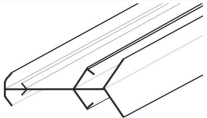
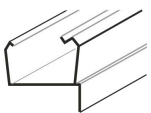
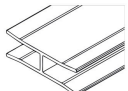

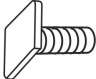
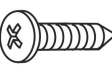


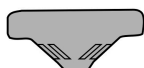
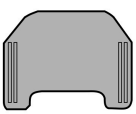
Several people are needed to build the greenhouse.

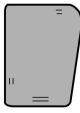

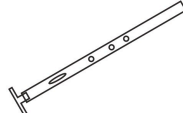

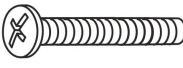


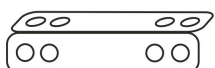




Contents

Section	Page:
A: Parts list	4-5
B: Parts position	6
C: Foundation, self-build instructions and fastening	7
D: Door-installation	8
Assembly of the door	9
E: Assembly of the cross bars	10
F: Jamb wall-assembly	11
G: Bevel, without door	12
H: Dormant window-assembly	13
I: Bevel, with the door, internal view	14
Bevel, with the door, facade	15
J: Assembly of spare parts	16-18
K: Final assembly, window	19
L: Final assembly, plate	20
M: Arrangement of the hollow plates	21
N: Final assembly	22
O: Optional accessory.	23

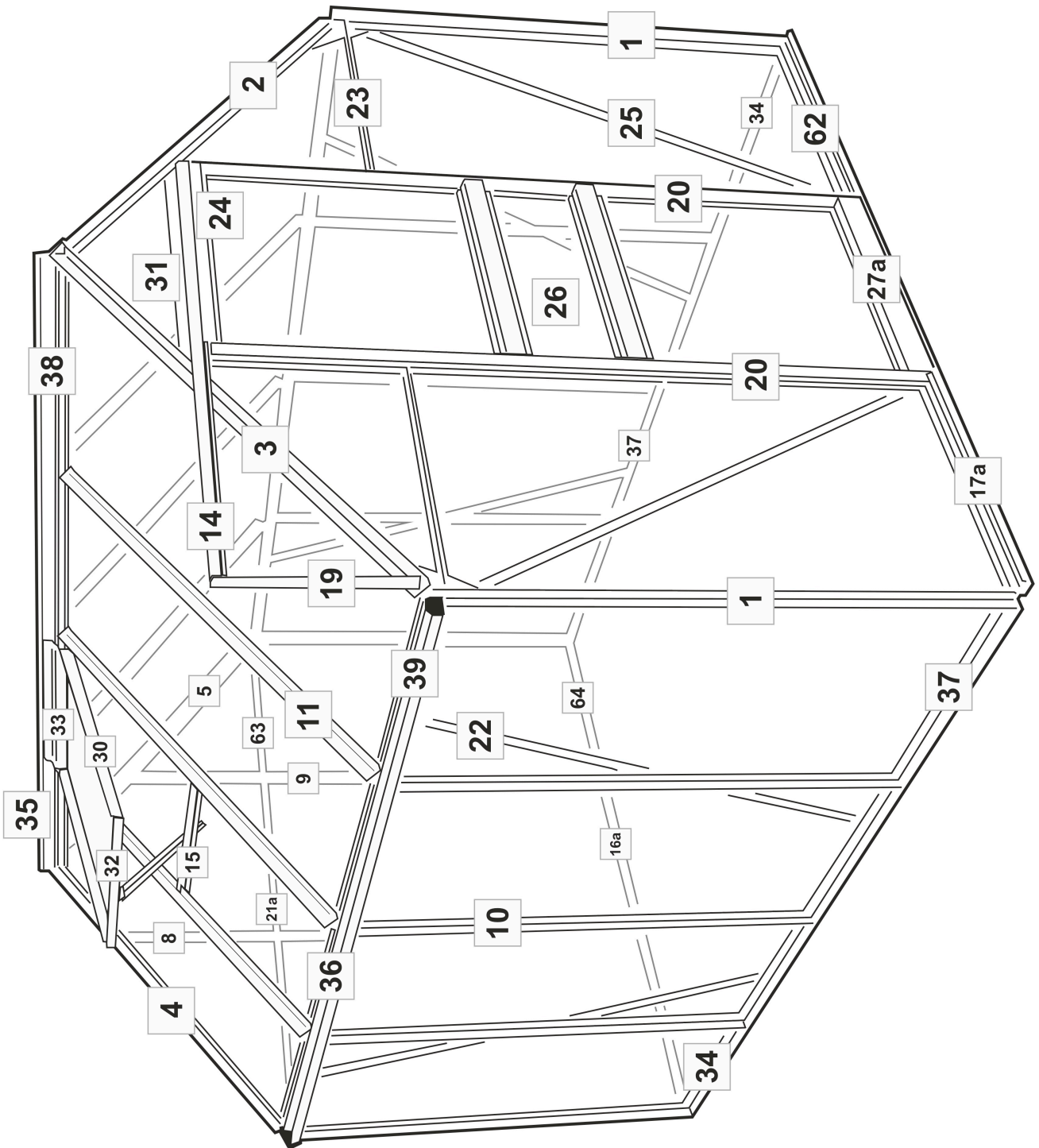
A:Parts list:

No:	Qty:	Figure:	Length mm:	No:	Qty:	Figure:	Length mm:
1	4		1214	19	1		380
2	1		1132	20	2		1586
3	1						
4	1						
5	1						
6	1		1639	21a	1		1235
7	1						
8	1		1665	22	4		1302
9	1						
10	6		1214	23	2		595
11	6		1115	24	1		616
12	1		618	25	2		1292
13	4			26	2		616
14	1		1255	27a	1		616
15	1		635	30	2		522
16a	1		1310	31	1		609
17a	1		1310	32	1		595
18	2			33	1		598

No:	Qty:	Figure:	Length mm:
34	2		1410
35	1		1410
36	2		1417
37	2		1090
38	1		1030
39	2		1037
41	5		605
42	1		M6
43	133		M6x10
44	16		M4.5x19
45	6		M4x7.5
46	144		
47	8		
48	4		

No:	Qty:	Figure:	Length mm:
49	1		
50	1		
51	1		
52	134		M6
53	1		M6 x 30
54	3		
55	2		
56	1		
57	1		
62	1		580
63	1		625
64	1		580

B:Parts postion



C:Foundation,self-build instructions and fastening.

Adequate fastening of parts from the building must be ensured.

Information:there is no foundntion included in packing.

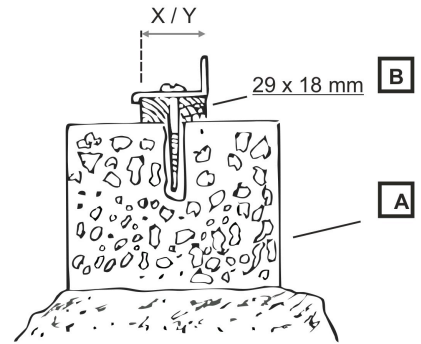
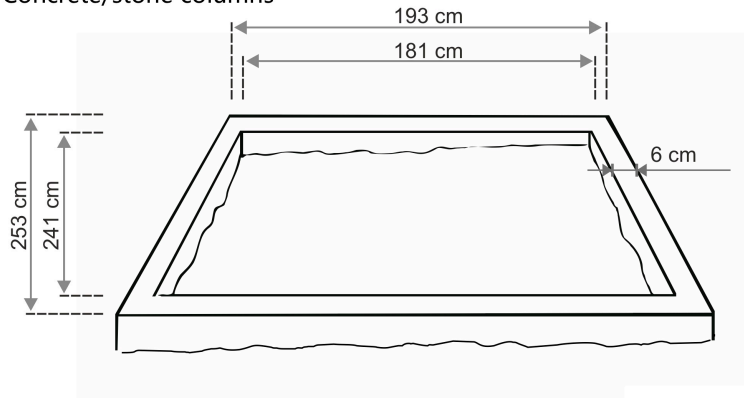
The suitable foundation will supplied as optional accessories.

The following details will serve as an example and help to build stone or concrete foundations, replace them with wooden frames.

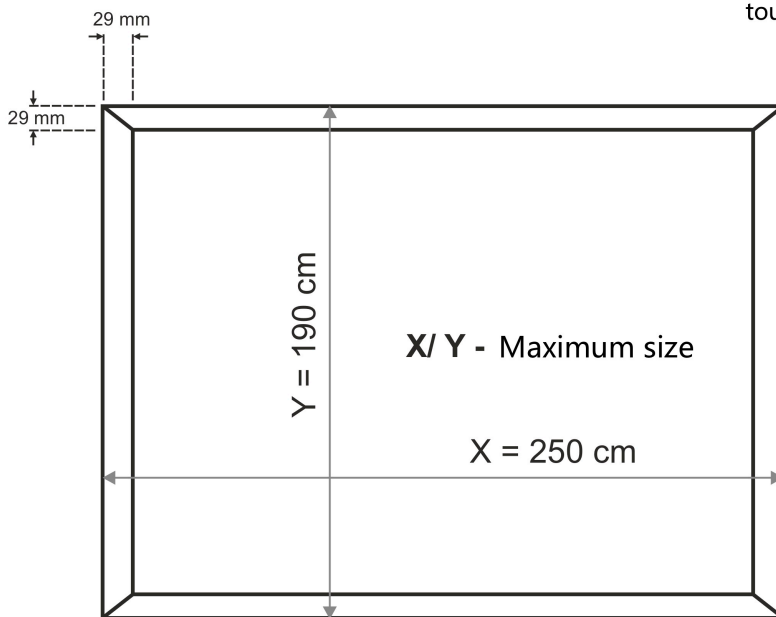
The frame of the foundation must be rectangular and flat.

Please note the following sizes:

A Concrete/stone columns

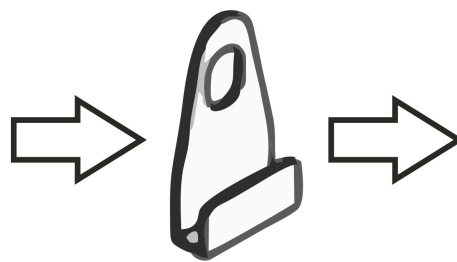
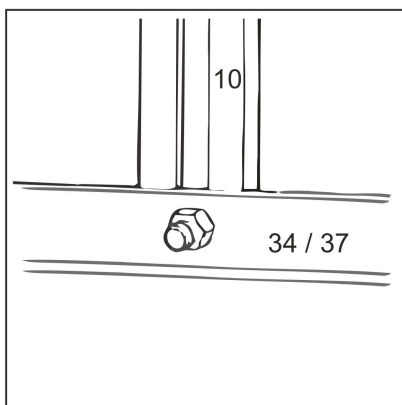


B Plank frame:

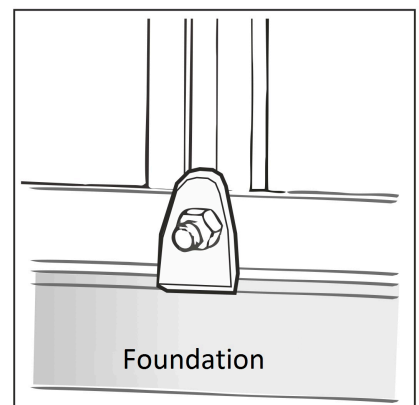


The front base of greenhouse (pole 17#) can not touch the ground completely. See pic[C], page 22.

More choice:Foundation supplied as choose accessories.

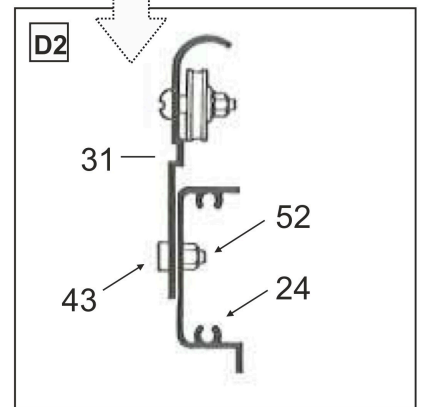
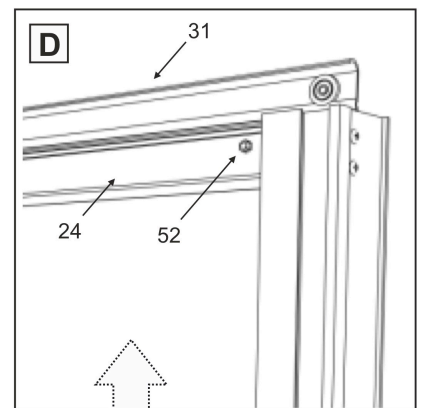
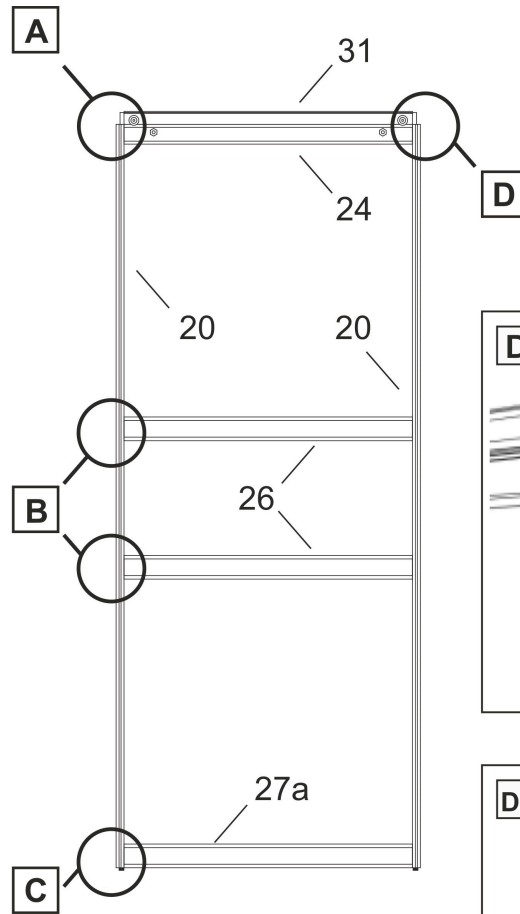
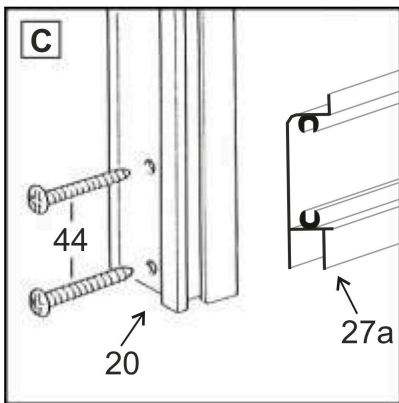
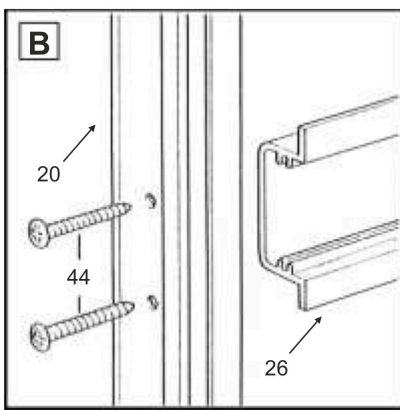
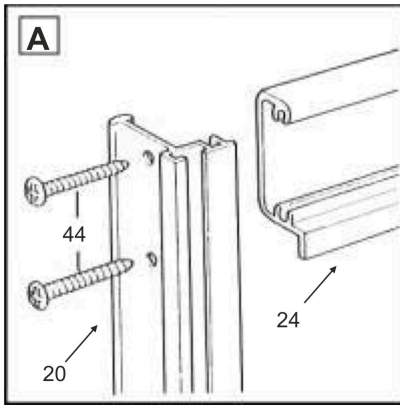
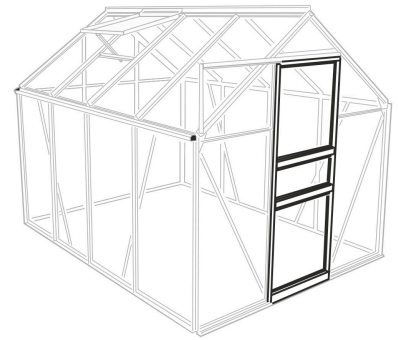


Foundation-part 4#



D:Door-installation

Assembly the door as shown below:



i Tips: Pic[A]-[D] are the internal view.

For the planar view of the assembly of the door.

Both sides with the 20#

Assembly the left side one by one ,as shown in site [A].[B].[C]

Then connect them with pole 20# by the screw 44#.

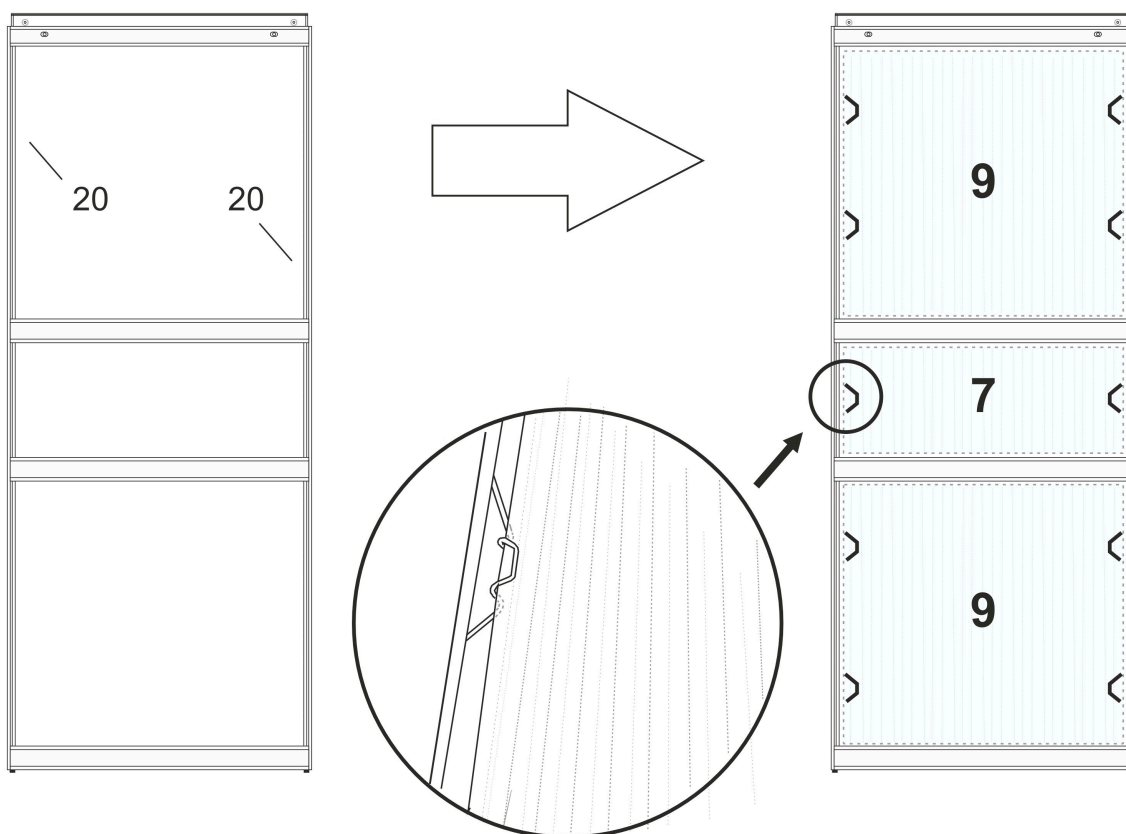
At last connect the slide rail 31# with upper frame 24# by screw. [D]

Assembly of the door

Lay the door on a horizontal plane.

Place 3 pieces of board(No7 and 2*No9) as shown in picture.

Fixed the boards with clips on the locations as shown.



Tips: The illustrations are external view.

Notice that locate the hollow boards with correct surface.



The surface covered by white film should be placed inside !
Remove the white film !

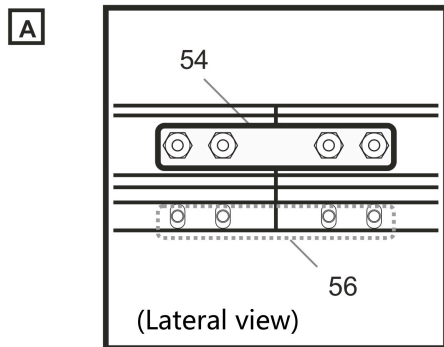
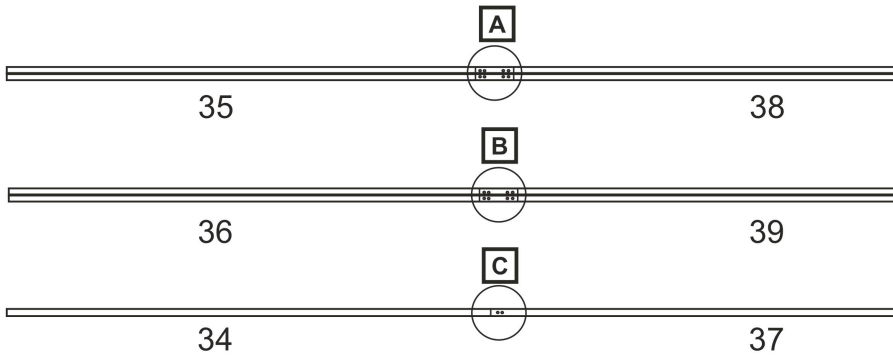
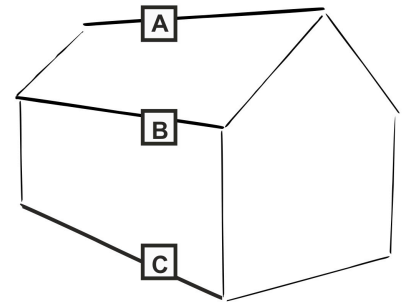
E: Assembly of the cross bars

Link the cross bars first.

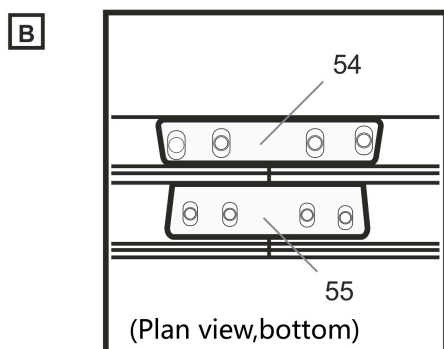
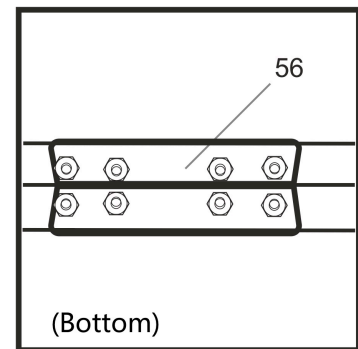
Tighten them with the help of connector 54#/55#/56#

Use the flat head screws 43# and the nuts 52#.

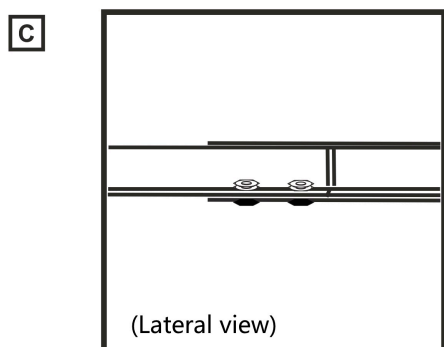
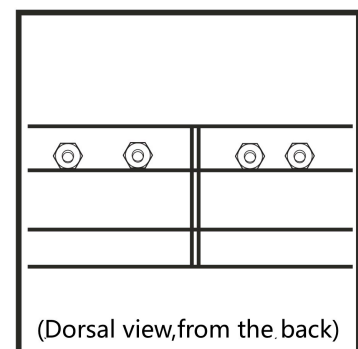
The poles 34#&37# are direct connected.



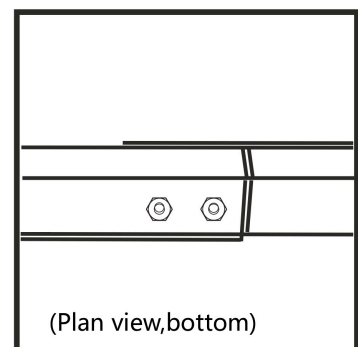
35 + 38



36 + 39



34 + 37

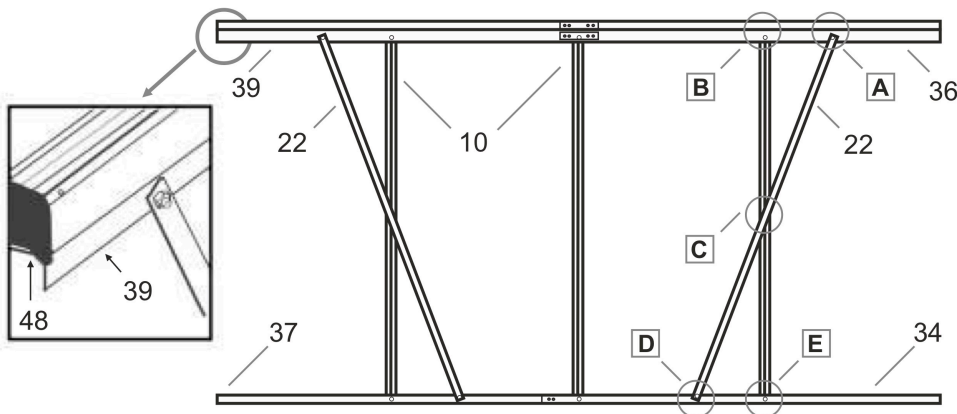
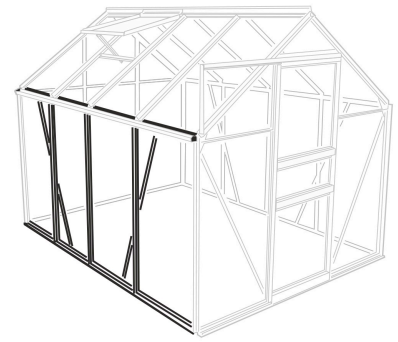


F:Jamb wall-assembly.

As shown in the illustration,lay all the partson a horizontal plane.And then connect them.

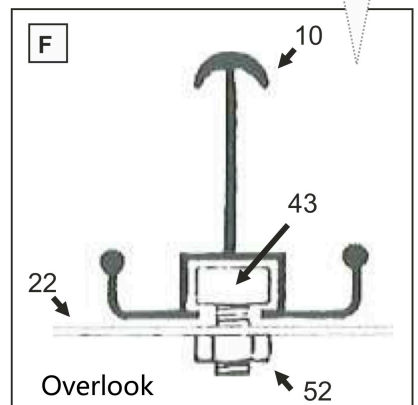
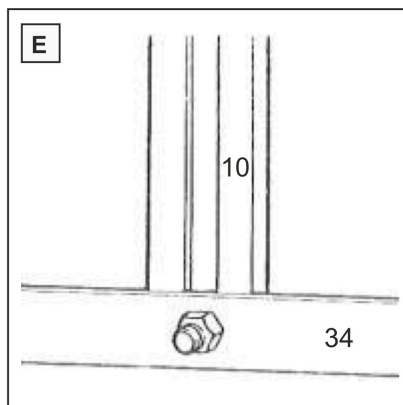
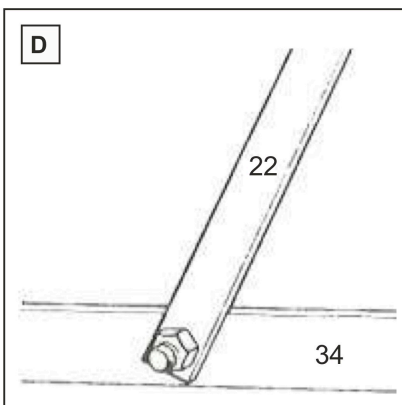
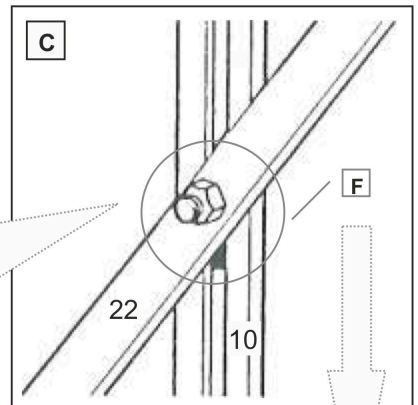
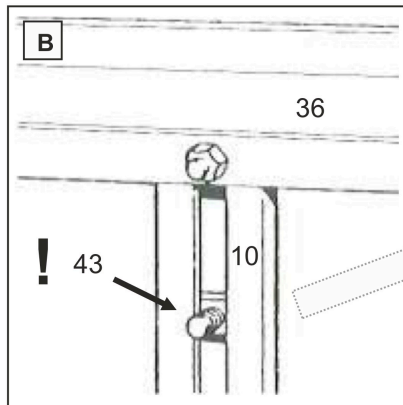
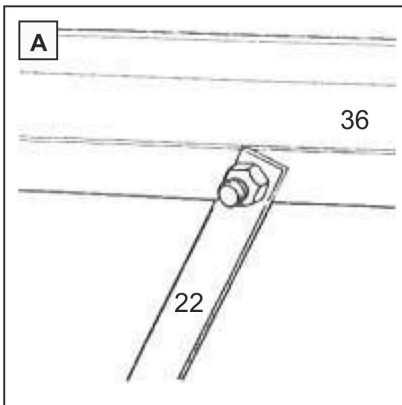
(!) Notice that some of the pole 10# are particular and need to insert a screw before assembly.

Treat the other side in the same manner.



! Used to show the assembly of pole 22#:for the 1st,3rd pole 10#,insert the screw 43#(pic. [B]&[C])

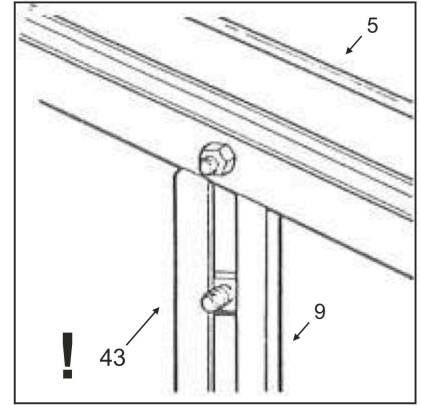
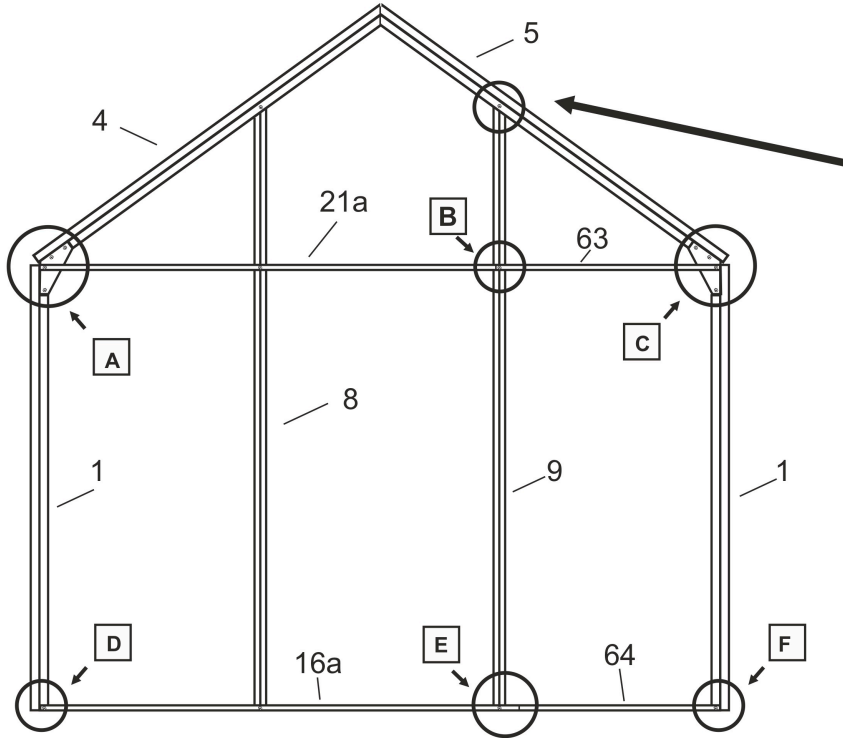
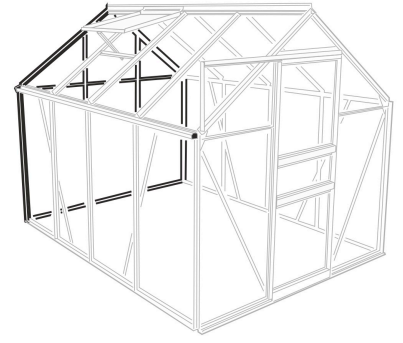
! The location of screws: screw caps facing outward and inner the nuts.



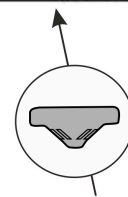
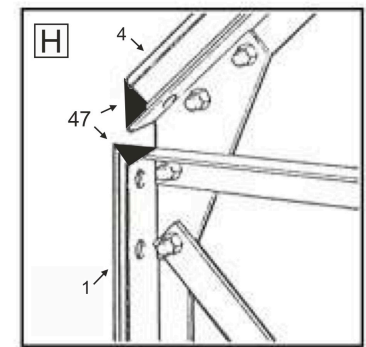
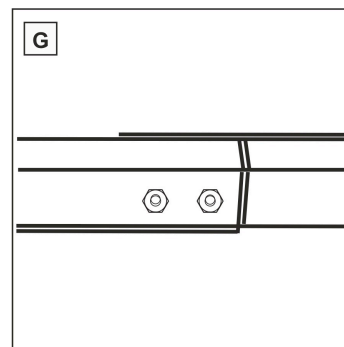
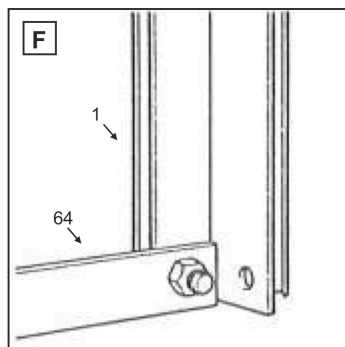
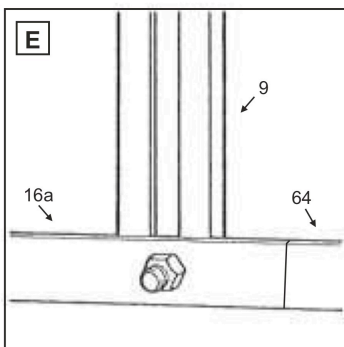
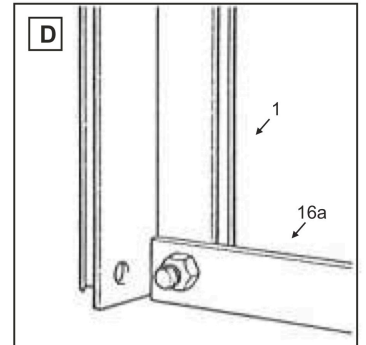
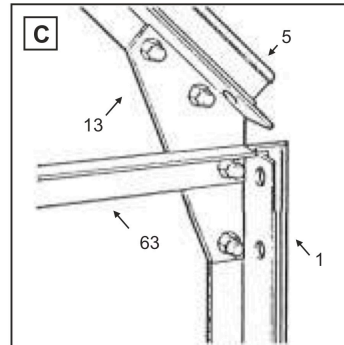
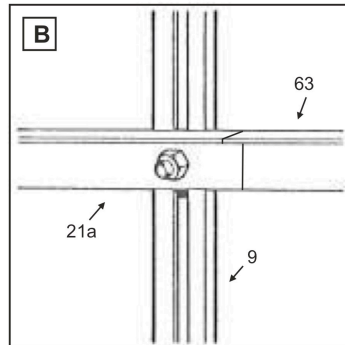
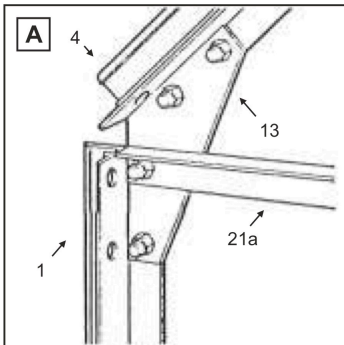
i Tips:Illustrations A-E are interior view.

G:Bevel,without door

As shown in the picture,lay all the parts on a horizontal plane.Tighten the parts following the illustrations.



Used to show the assembly of pole 21#63#:insert a screw 43# into the pole 8#&9# before assembly(pic [B])

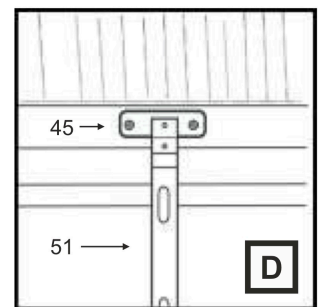
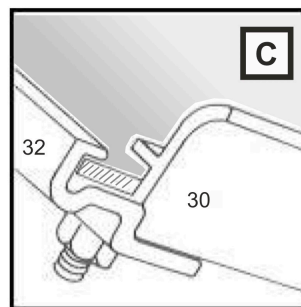
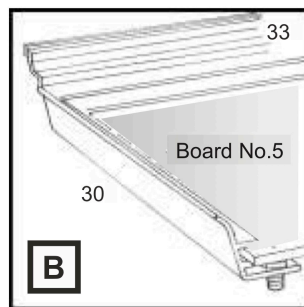
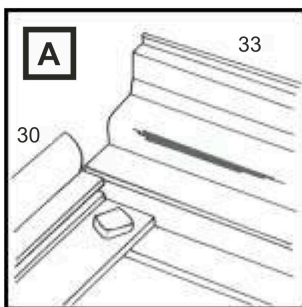
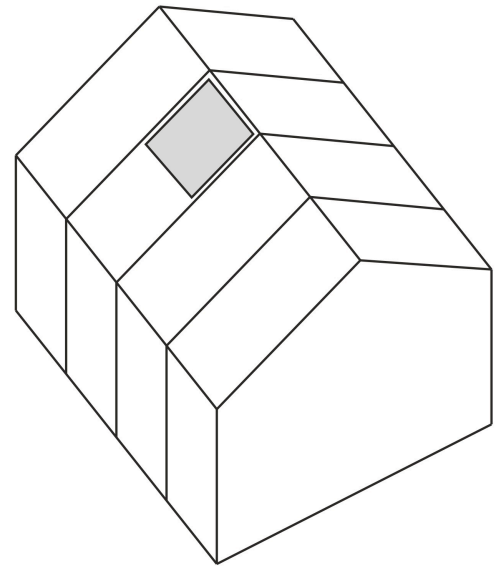
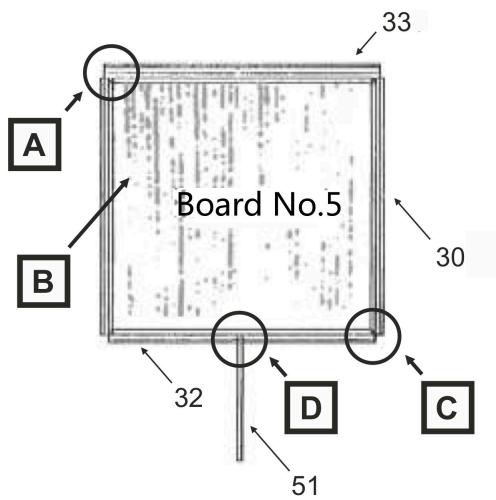


i Tips:Illustrations are interior view.

Tips: Cover the end of 1#/4#/5# with 47 # before assembly.

H:Dormant window-assembly

Find the parts as shown in the illustration.

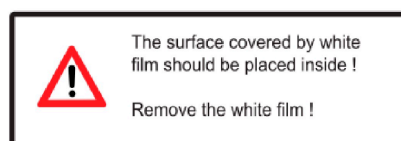


Tips: Do not tighten the nuts before finishing the assembly. !

[A]: Screws used to connect pole 33# with the 2 side lever(30#)

[B]: Place the board No.5 following the outline.

Notice that the UV-proof surface should toward outside.



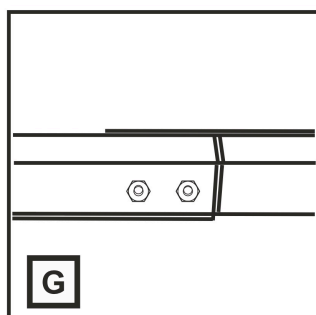
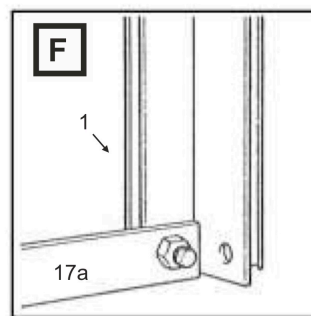
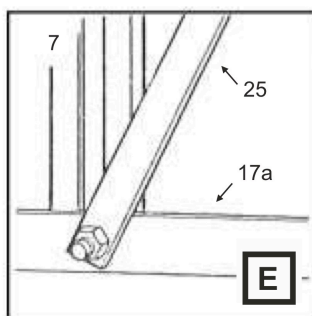
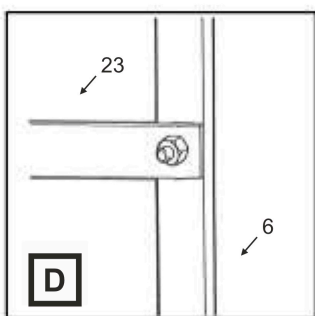
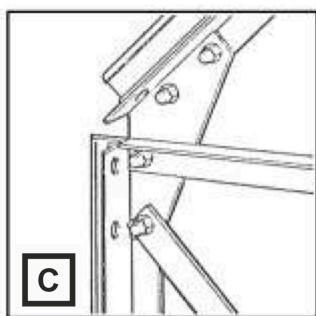
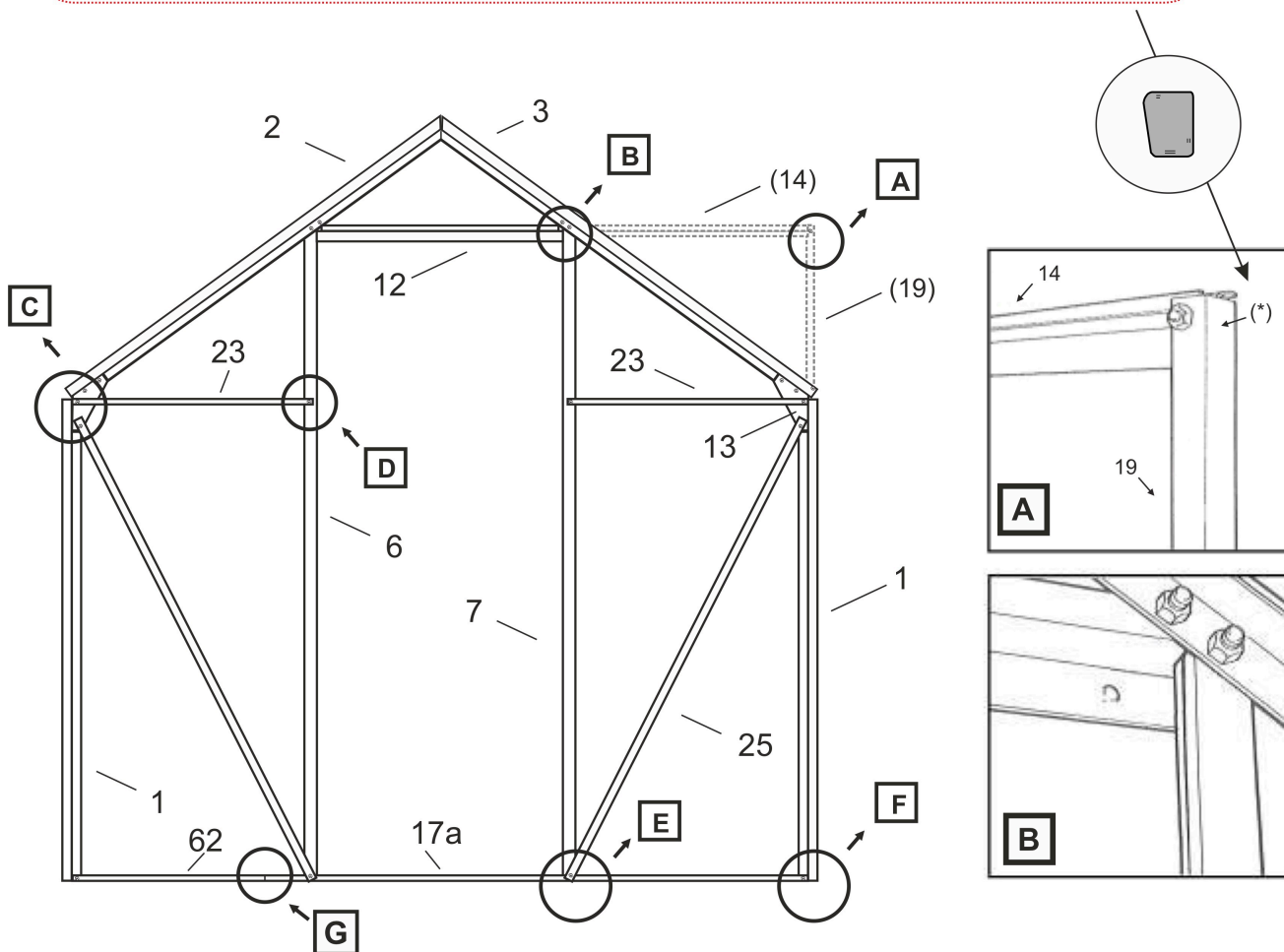
[C]: Check if the window frame squared, then tighten the screw.

[D]: Use the screw 45# to assemble the window stay 51#.

I: Bevel,with the door,internal view

Lay the poles needed(shown in the illustration) on a horizontal plane.
And assemble the frame with help of details pic [B]-[F].

Tips:As shown in pic[A]: on the connecting site of 14# and 19#,before assembly, cover the edge of 14# with the plastic 50#.



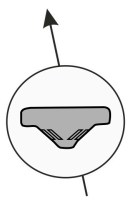
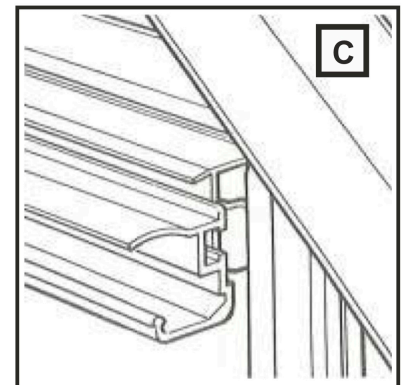
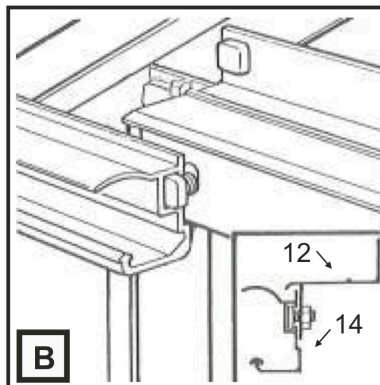
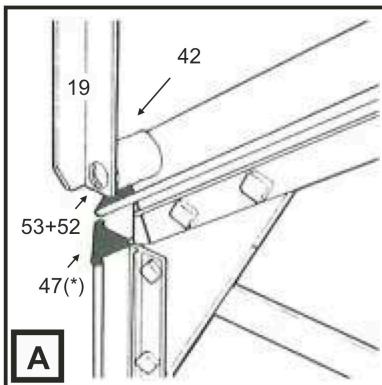
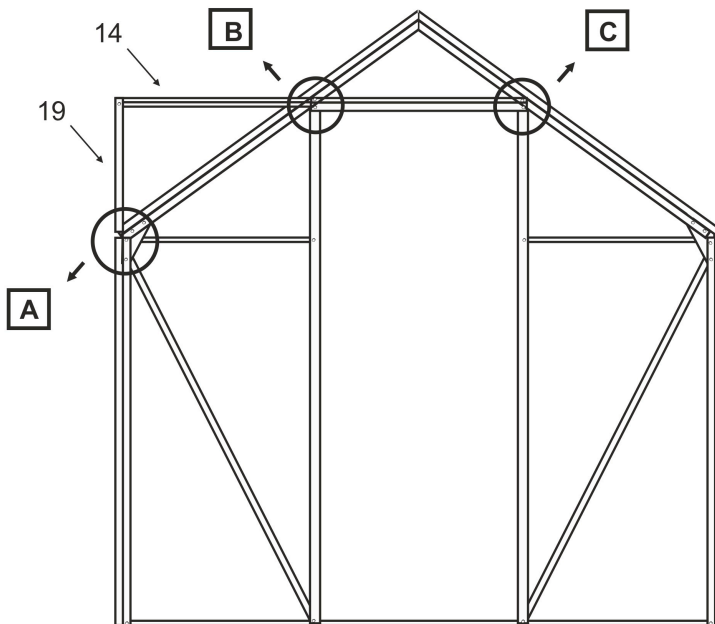
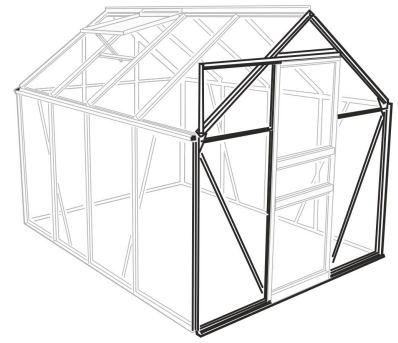
! The location of screws:
screw caps facing outward
and inner the nuts.

i Tips:The illustrations are interior view.

Bevel,with the door,facade

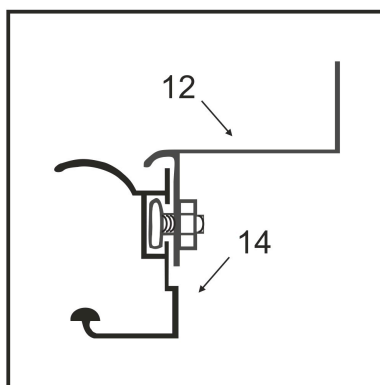
Assemble the pole 14#&19# as shown.

See picture [A] on page 14.



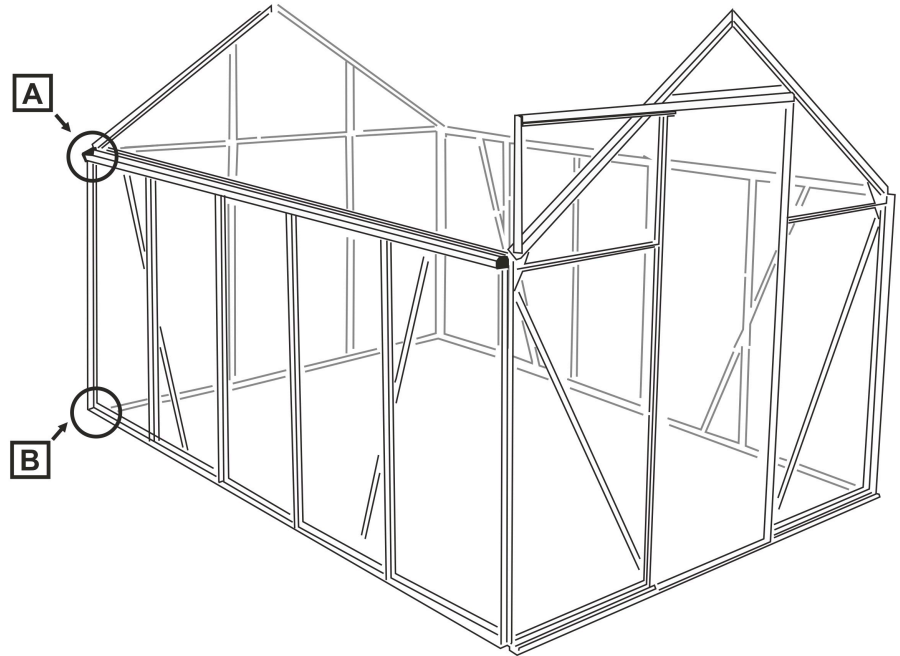
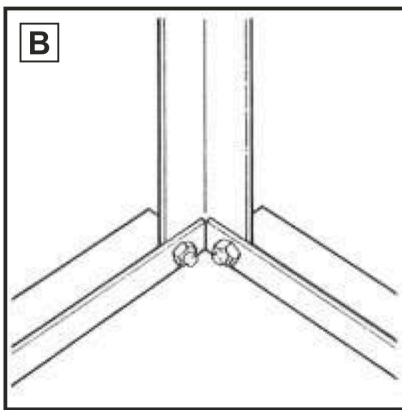
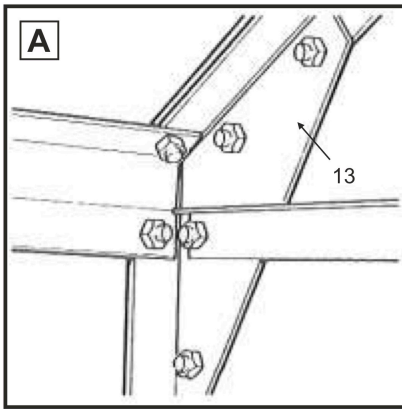
Cover the end of 1#/2#/3#
with the 47# before assembly

Pic [B]&[C]: Pole 14# pushed through and tighten.

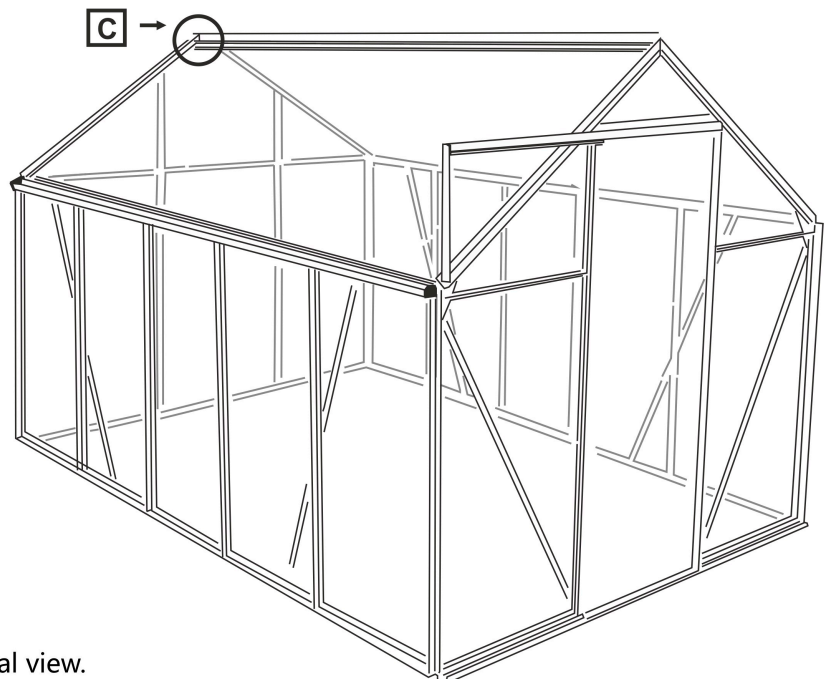
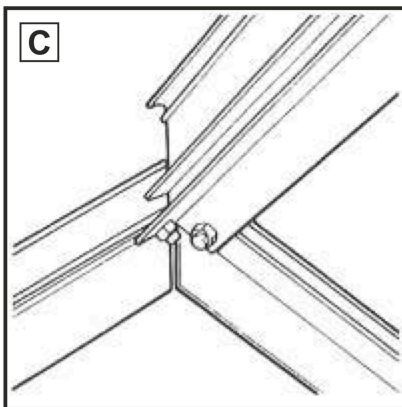


J: Assembly of spare parts

-Screws on the gussets and the side lever.(pic [A]&[B])

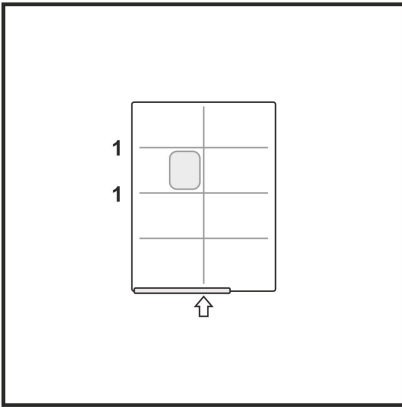


Fixed the roof beam with the 2 angular surface([C])



! Location of screw:
Screw caps facing outward
and inner the nuts.

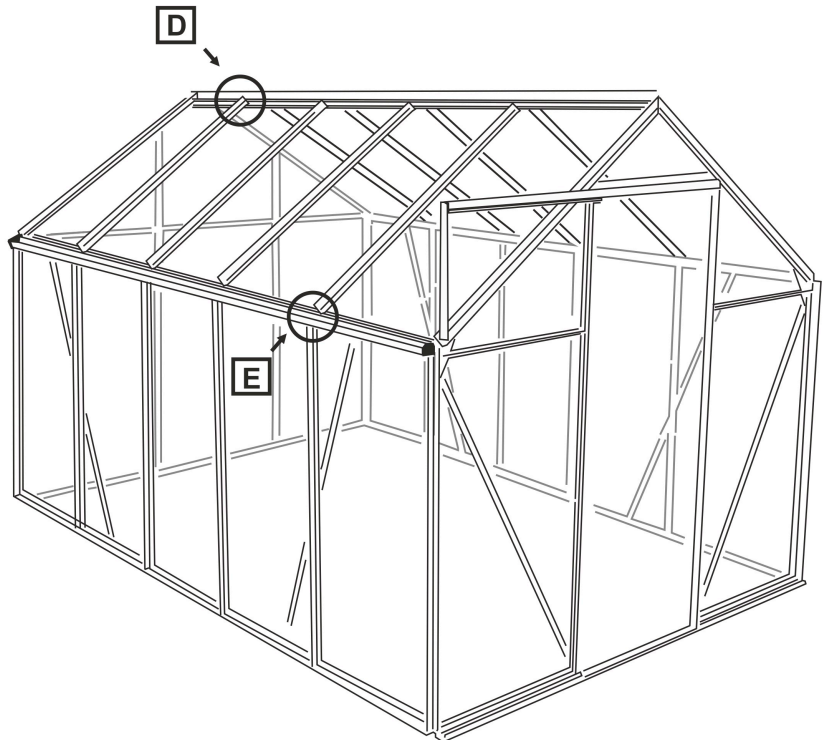
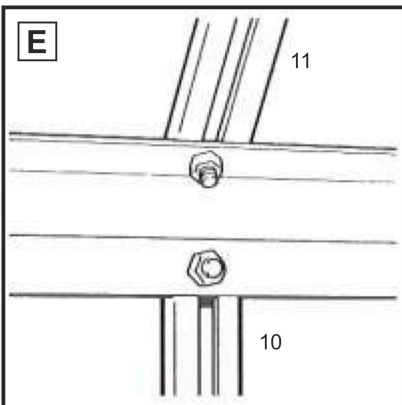
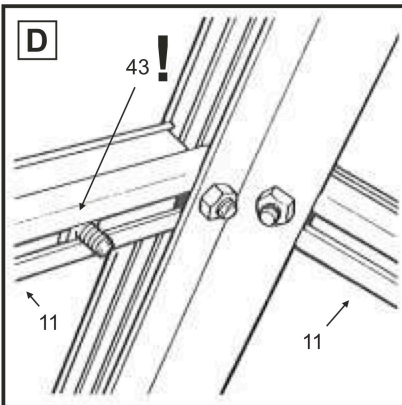
Tips:All the detail pictures are all internal view.



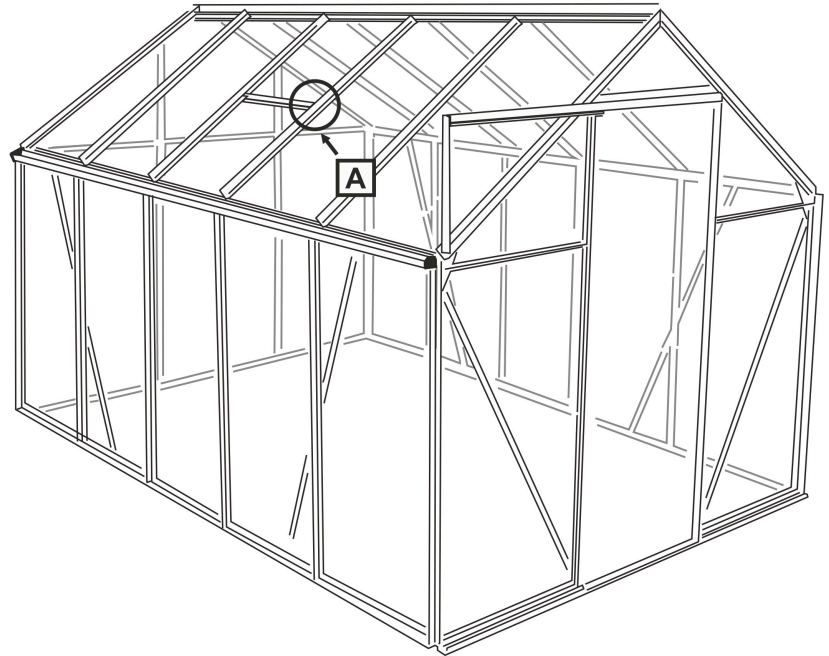
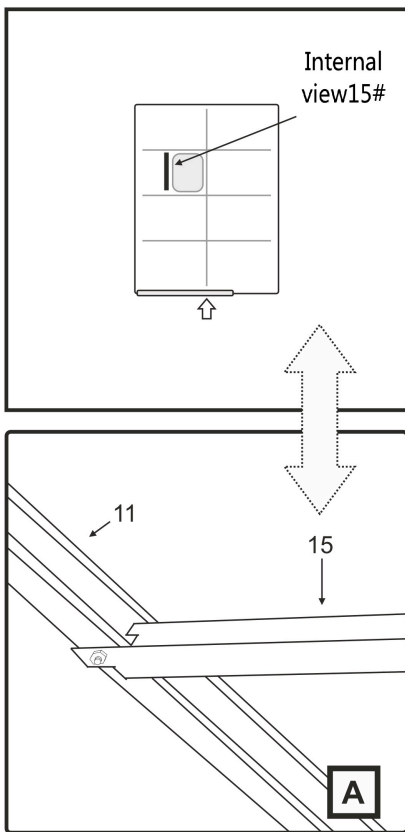
Tips:
 For the next step, the screws should be inserted before the assembly. As shown in the pic.
 Mark down the amount and the location on the tube 11#



-Assembly the pole 11# on the top and lateral side of the house. (Site [D]+[E])
 Drop a screw into the pole 11# before connect with the horizontal hole. See pic [D]

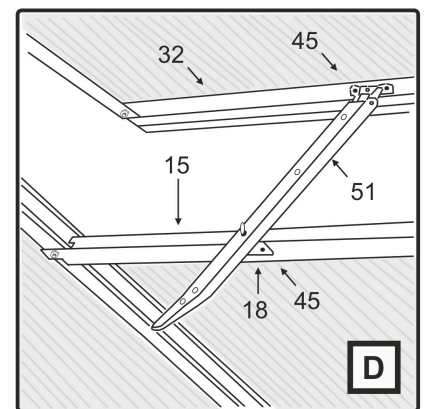
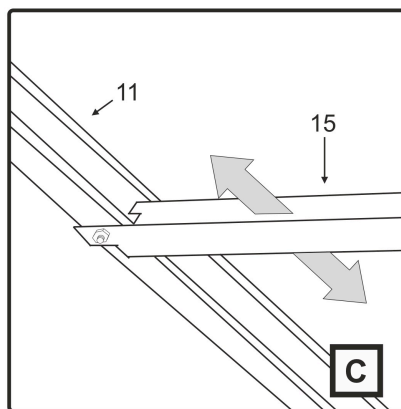
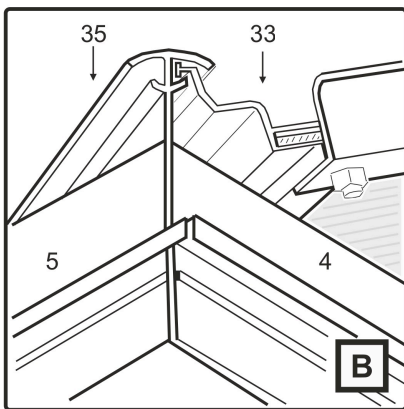
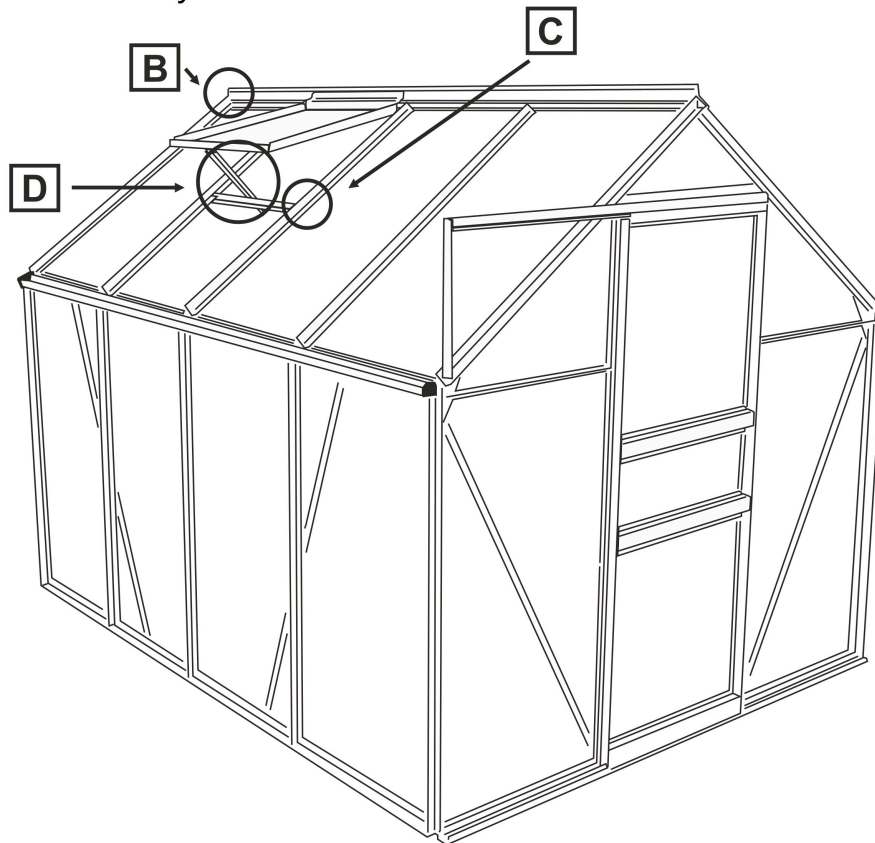


-Connect the below tube15# with the slanting pole 11#([A])



K : Final assembly,window

Now,the assembly of the window.



[B]:The top frame of the window must first be inserted at the end of 35#beam.
Then push the window along with the beam to predetermined position.

[C]:To show the position of 15# along 11#.

[D]:Fit the holder 18# on the pole 15#,at the end of the window component.



#45,
M4x7.5 screw

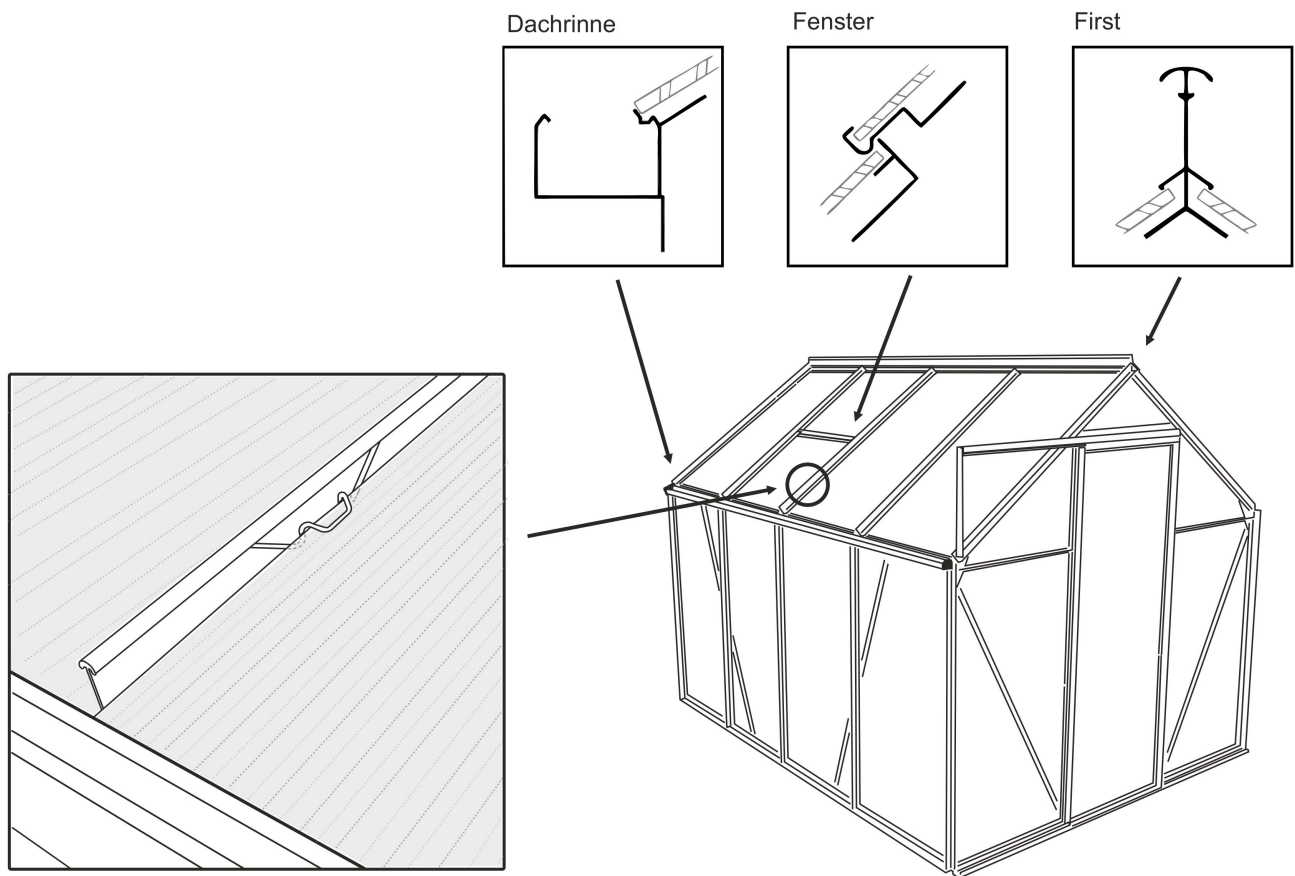


#18,
Halter

L:Final assembly,Plate

Place the hollow plates on the sites shown in the illustrations.

And fixed the boards with the clips 46#.



Tips: The hollow plates are all UV-proof treated.

The surface covered by white film should be placed inside.

In this way the ultraviolet rays will be prevented! Remove the white film!

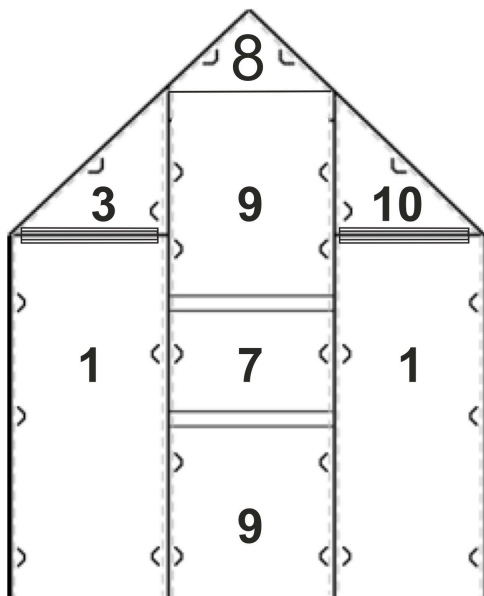
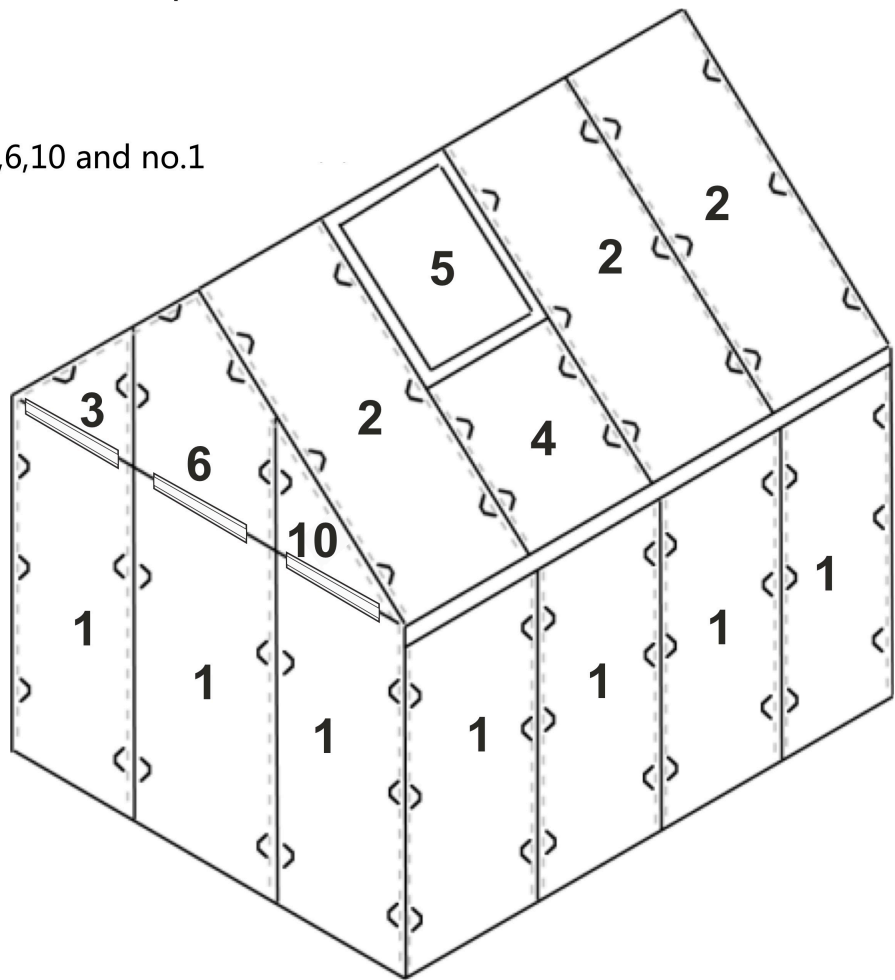
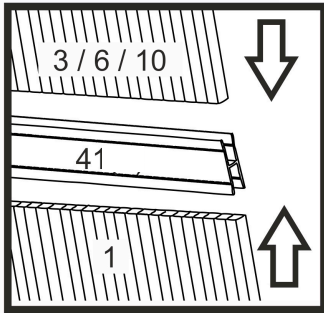
The clear film can be kept to protect the plates and may be removed in some cases (e.g.: polluted)



M:Arrangement of the hollow plates

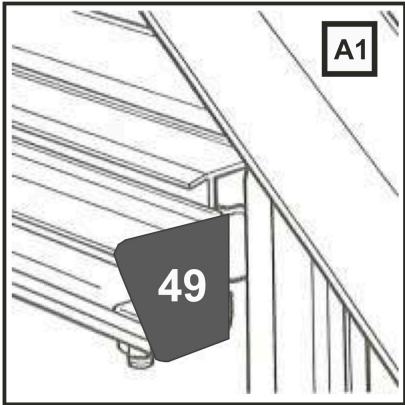
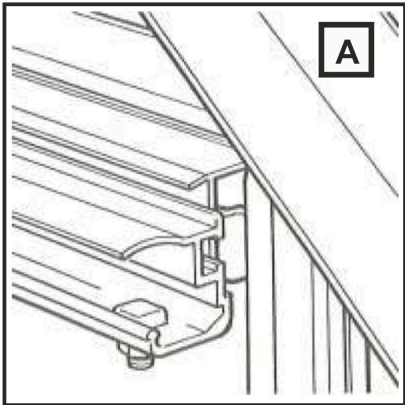
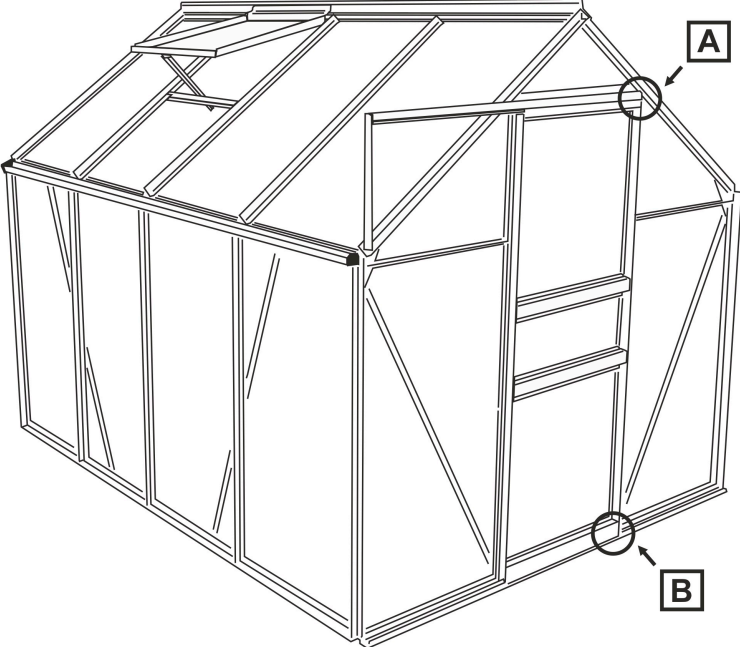
For the back side :

Put #41 between no.3,6,10 and no.1



No:	Size:	Qty:
1	605 x 1210	13
2	605 x 1130	7
3	605 x 450	2
4	605 x 590	1
5	600 x 549	1
6	605 x 662	1
7	610 x 224	1
8	615 x 232	1
9	610 x 602	2
10	605 x 450	2

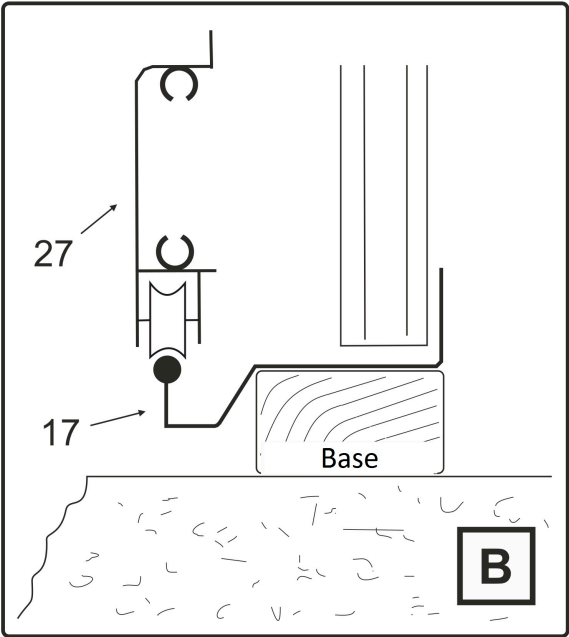
N: Final assembly



Pic [A1]:Finish the assembly of tube 14# put 49# on the edge of it and 50# on the opposite side.

Stuck the door into the lower track.(17#.As pic [B])

Fixed nut&screw on the edge of the upper track.(14#.As pic[A])



O:Optional accessory

To match the greenhouse usage you may choose these optional accessories as below:



Automatic window switch

-Open and close the windows when the temperature changes.



Steel foundation

-Galvanized surface treatment.

Strengthen, stabilize, and increase your greenhouse.