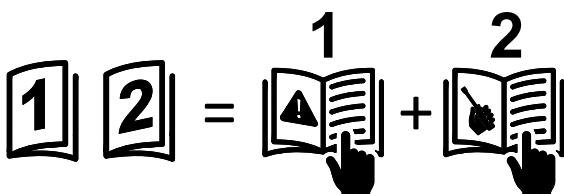
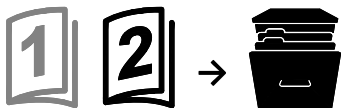
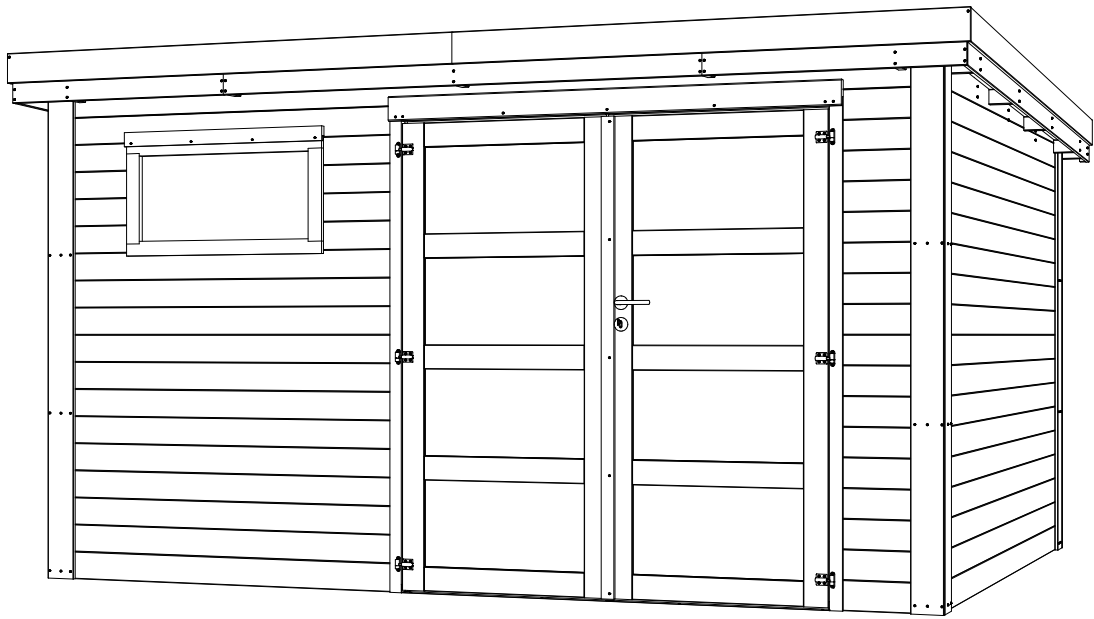
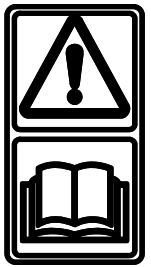


Paolo

28mm 3,65×2,75m - Contact - F1/DPV
64427S943 - B000843



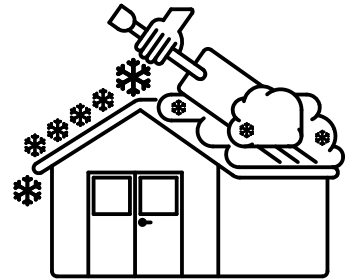
[EN] Assembly notice - keep for later reference.
 [FR] Notice de montage à conserver pour consultations ultérieures.
 [NL] Te bewaren gebruiksaanwijzingen voor latere raadplegingen.
 [DE] Montageleitung nicht wegwerfen, bewahren Sie diese für später.
 [IT] Manuale di montaggio da conservare per ulteriori consultazioni.
 [ES] Debe conservar las instrucciones de montaje para consultas posteriores.
 [PT] Instruções de montagem a guardar para consultas futuras.



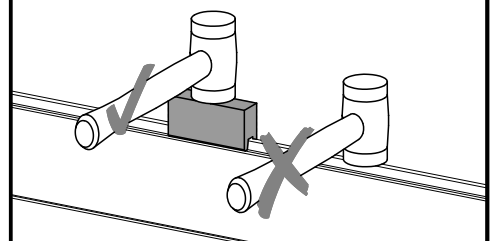
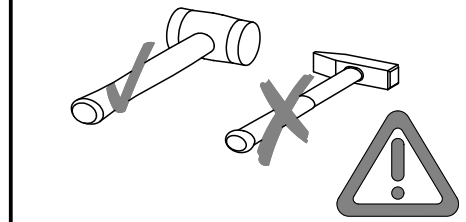
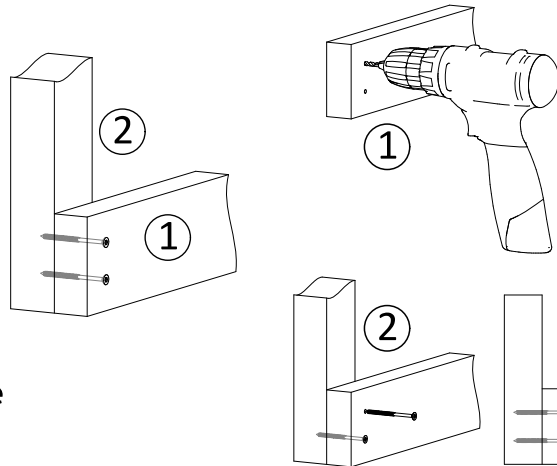
max. 50kg/m²



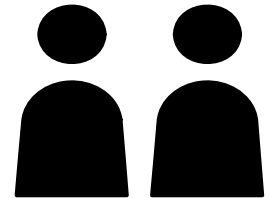
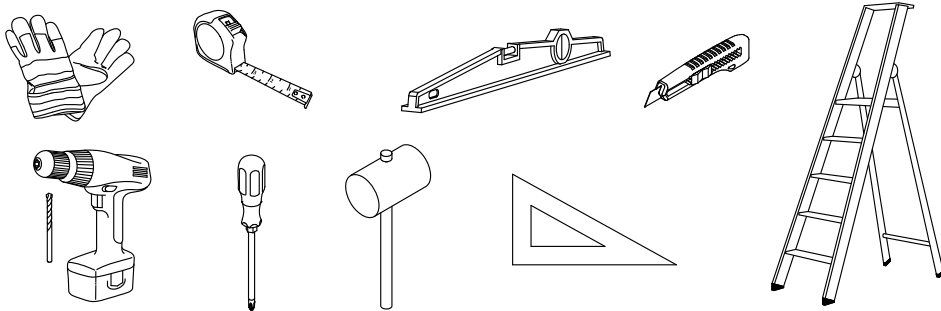
max. 100km/h



[EN] **Predrill**
 [FR] **Préforer**
 [NL] **Voorboren**
 [DE] **Vorboren**
 [IT] **Preforare**
 [ES] **Preforar previamente**
 [PT] **Perfuração**



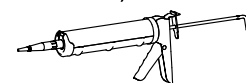
[EN] **Tools needed to provide before assembly.**
 [FR] **Outils nécessaires à prévoir avant le montage.**
 [NL] **Te voorziene gereedschappen bij aanvang van de montage.**
 [DE] **Für die Montage notwendiges Werkzeug vorsehen.**
 [IT] **Utensili necessari da prevedere prima del montaggio.**
 [ES] **Preparar herramientas necesarias antes del montaje.**
 [PT] **Prepare as ferramentas necessárias antes da montagem.**



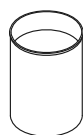
[EN] **2 persons**
 [FR] **2 personnes**
 [NL] **2 personen**
 [DE] **2 Personen**
 [IT] **2 persone**
 [ES] **2 personas**
 [PT] **2 pessoas**

[EN] **Significant complements not included.**
 [FR] **Compléments importants non inclus.**
 [NL] **Belangrijke aanvullingen niet inbegrepen.**
 [DE] **Wichtige Zubehörteile nicht im Lieferumfang**
 [IT] **Supplementi importanti non inclusi.**
 [ES] **Complementos importantes no incluidos.**
 [PT] **Complementos importantes não incluídos.**

Silicone / Mastic



[EN] **Glue for the roof.**
 [FR] **Colle pour le feutre bitumeux.**
 [NL] **Lijm voor het dak.**
 [DE] **Klebstoff für das Dach.**
 [IT] **Colla per tela bitumata.**
 [ES] **Pegamento para tela asfáltica.**
 [PT] **Cola para tecido asfáltico.**

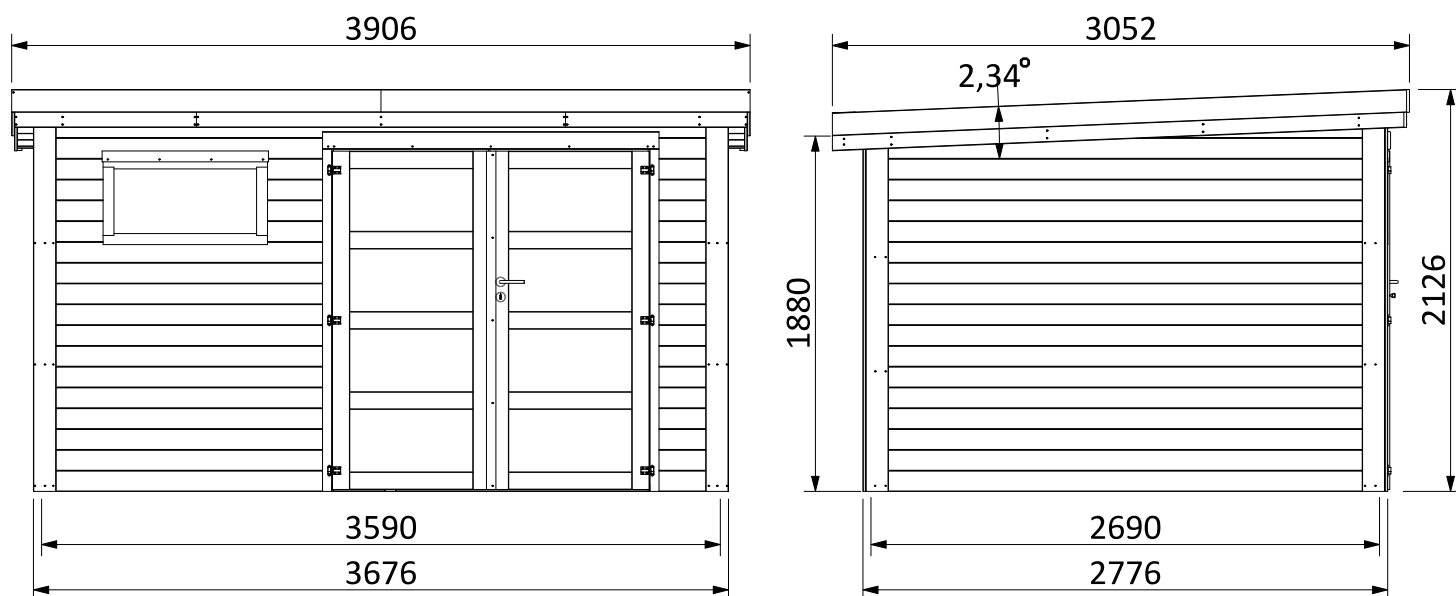


[EN] **Wood preserver for the outside : 2 layers before assembly.**
 [FR] **Protection pour le bois en extérieur : 2 couches avant montage.**
 [NL] **Bescherming van het hout: 2 lagen voor de montage.**
 [DE] **Holzschutz für Aussenanwendung: 2 Lagen vor dem Zusammenbau.**
 [IT] **Protezione per il legno in esterno : due mani prima del montaggio.**
 [ES] **Protección para la madera de exteriores: 2 manos antes del montaje.**
 [PT] **Proteção para madeira exterior: 2 demãos antes da montagem.**

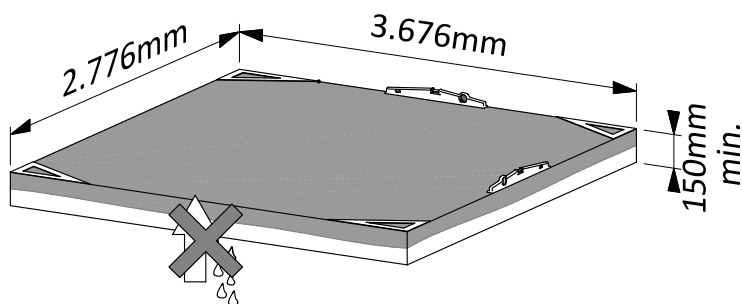
Paolo

28mm 3,65×2,75m - Contact - F1/DPV

64427S943 - B000843



- [EN] Laying on a perfectly flat and level concrete slab (*not included*)
[FR] Pose sur dalle béton parfaitement plate et de niveau (*non incluse*)
[NL] Plaatsen op een perfect vlakke betontegel (*niet inbegrepen*)
[DE] Montage auf einer ebenen, befestigten Fläche (*Material nicht inbegriffen*)
[IT] Posare su pavimenti in cemento perfettamente in piano e livellato (*non incluso*)
[ES] Colocar sobre losa de hormigón perfectamente plana y nivelada (*non incluida*)
[PT] Montagem sobre laje de betão perfeitamente plana e nivelada (*não incluído*)
[EL] Πρέπει να τοποθετείται πάνω σε απόλυτα επίπεδη και οριζόντια πλάκα σκυροδέματος (*δεν περιλαμβάνεται*).



600626 : x8
900x1490/14mm

503537 : x3
15x120/1953mm

503538 : x2
15x120/961mm

503533 : x2
19x57/880mm

503518 : x2
58x58/362mm

503520 : x2
58x58/870mm

502621 : x25
28x110/338mm

420211 : x1
837x1790/34mm

50675 : x13
28x110/1500mm

600627 : x2
246x1490/14mm

503527 : x2
15x120/3040mm/87,7°

503526 : x2
15x120/3025mm/87,7°

503529 : x2
28x110/2670mm/2,3°

503525 : x1
28x94/1780mm

503528 : x4
15x120/1875mm

502968 : x34
28x110/2670mm

420212 : x1
837x1790/34mm

503536 : x4
15x120/1985mm

502171 : x1
12x50/1790mm

503539 : x1
14x90/1780mm

502378 : x18
29x59/100mm

500937 : x2
29x59/1923mm

500220 : x3
29x59/1876mm

503530 : x3
44x90/3590mm

503522 : x2
69x69/1880mm

503523 : x18
28x110/3570mm

503517 : x2
58x58/1843mm

503532 : x3
15x120/80mm

503521 : x1
47x58/1684mm

503534 : x2
9x30/772mm

503823 : x2
9x30/343mm

500062 : x10
24x38/200mm

503744 : x16
15x20/331mm

503233 : x16
15x20/681mm

503524 : x2
69x69/1987mm



420211 ← : 1
837×1790/34mm
420212 → : 1
837×1790/34mm



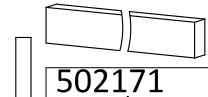
503522 : 2
69×69/1880mm
503524 : 2
69×69/1987mm



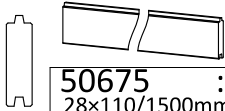
503521 : 1
47×58/1684mm



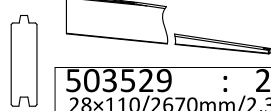
503525 : 1
28×94/1780mm
503533 : 2
19×57/880mm



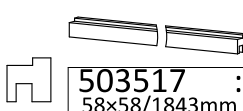
502171 : 1
12×50/1790mm
503539 : 1
14×90/1780mm
503528 : 4
15×120/1875mm
503537 : 3
15×120/1953mm
503536 : 4
15×120/1985mm
503532 : 3
15×120/80mm
503538 : 2
15×120/961mm
503744 : 16
15×20/331mm
503233 : 16
15×20/681mm
500062 : 10
24×38/200mm
502378 : 18
29×59/100mm
500220 : 3
29×59/1876mm
500937 : 2
29×59/1923mm
503530 : 3
44×90/3590mm
503823 : 2
9×30/343mm
503534 : 2
9×30/772mm



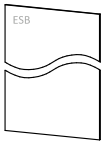
50675 : 13
28×110/1500mm
502968 : 34
28×110/2670mm
502621 : 25
28×110/338mm
503523 : 18
28×110/3570mm



503529 : 2
28×110/2670mm/2,3°



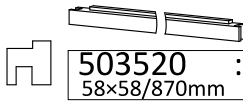
503517 : 2
58×58/1843mm
503518 : 2
58×58/362mm



600626 : 8
900×1490/14mm
600627 : 2
246×1490/14mm



503526 : 2
15×120/3025mm/87,7°
503527 : 2
15×120/3040mm/87,7°



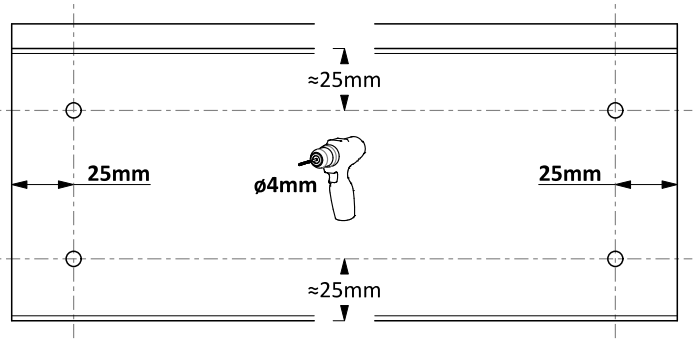
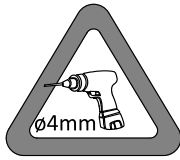
503520 : 2
58×58/870mm

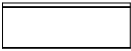
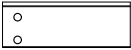

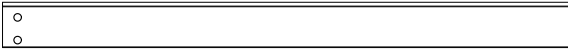

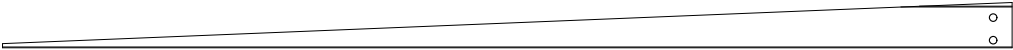

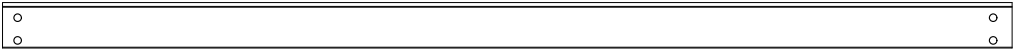

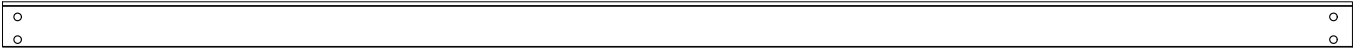

| Kit 700327A + 700327B | | | |
|-----------------------|--------|---------------|-----|
| | 3011 | ∅3,5×20mm | 13 |
| | 3012 | ∅3,5×25mm | 83 |
| | 3013 | ∅3,5×30mm | 96 |
| | 3014 | ∅3,5×35mm | 42 |
| | 3023 | ∅4×40mm | 128 |
| | 3025 | ∅4×50mm | 390 |
| | 3027 | ∅4×60mm | 102 |
| | 3029 | ∅4×70mm | 40 |
| | 3505 | ∅1×25mm | 126 |
| | | | |
| Kit 700044 + 700062 | | | |
| | 3810 | ∅2×15mm | 210 |
| | | | |
| Plexi | | | |
| | 750137 | 357×769/1,5mm | 1 |
| | 750142 | 356×676/1,5mm | 8 |
| | | | |

| Kit 700372 | | | | | |
|------------|------|------|--|------|---|
| | 2113 | 1 | | 2081 | 6 |
| | | | | | |
| | 2456 | 1 | | 2163 | 2 |
| | | | | | |
| | 2461 | 1 | | | |
| | | | | | |
| | 2915 | ∅4mm | | | 1 |
| | | | | | |

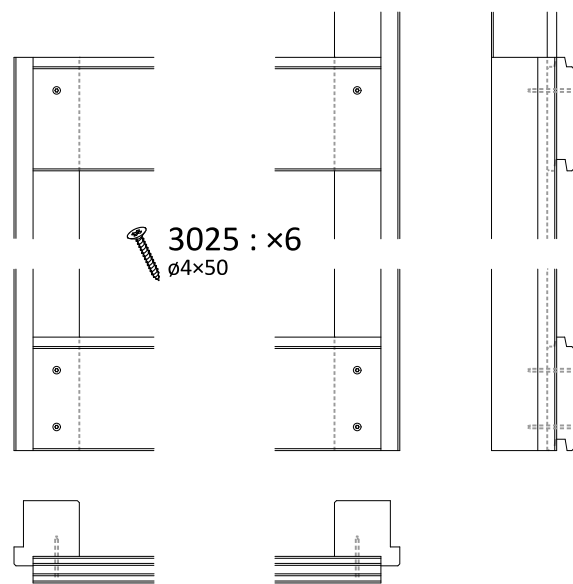
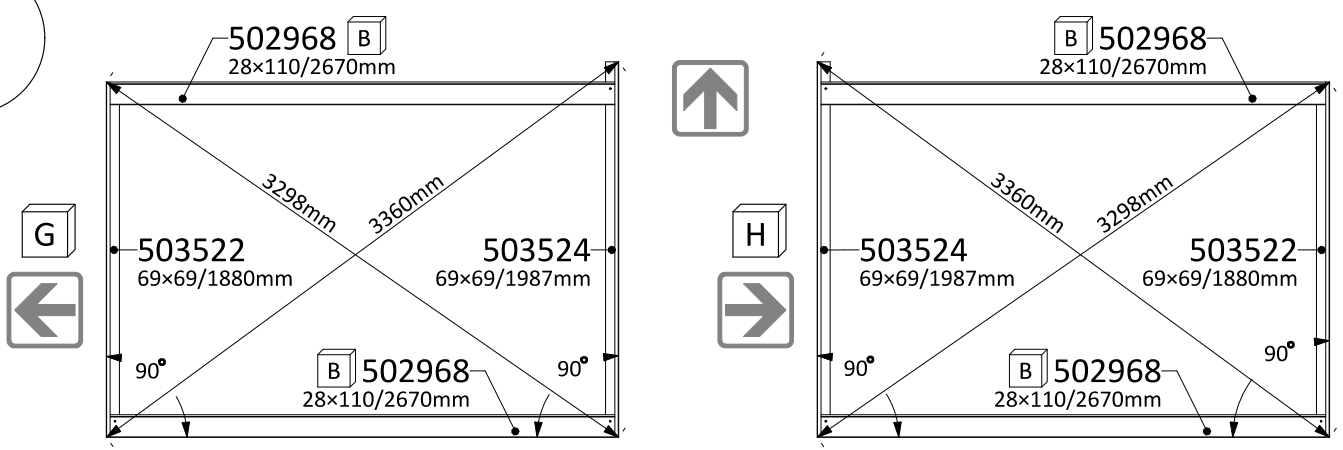
| Kit 700210 | | | | |
|------------|---------|-------------|---|---|
| | 2382 | 40×40mm | | 2 |
| | | | | |
| | | | | |
| 2273 | 1.684mm | | 1 | |
| | | | | |
| 800055 | | 1,5mm | 1 | |
| 800055 | | 1,00×17,00m | | 1 |

1

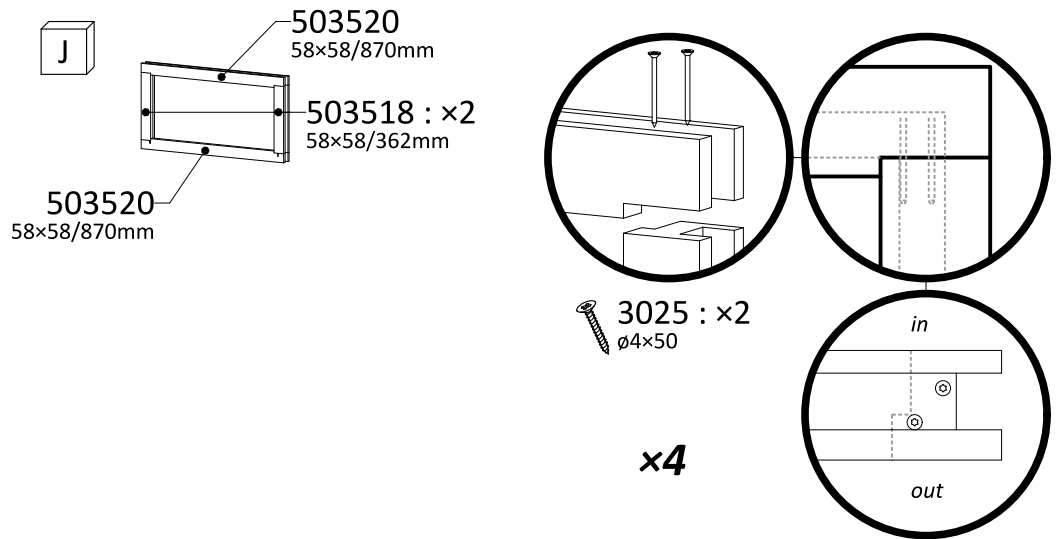
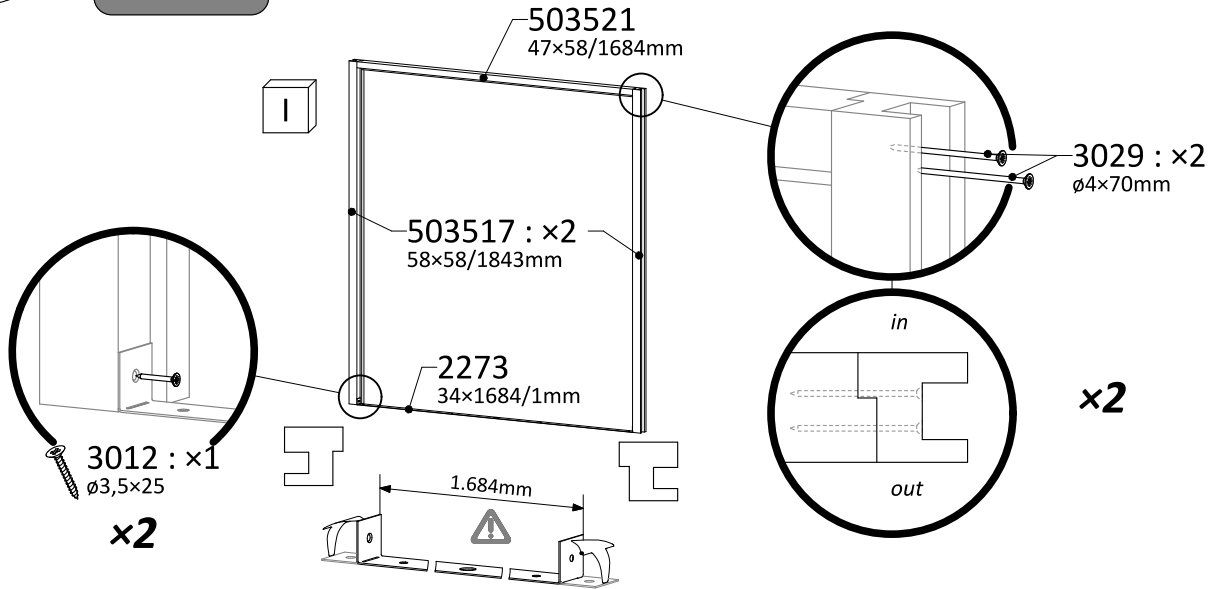


- F**  **502621 : ×4** ~~✗~~
28×110/338mm
- E**  **502621 : ×21** → 2× 
28×110/338mm
- D**  **50675 : ×13** → 2× 
28×110/1500mm
- C**  **503529 : ×2** → 2× 
28×110/2670mm/2,3°
- B**  **502968 : ×34** → 4× 
28×110/2670mm
- A**  **503523 : ×18** → 4× 
28×110/3570mm

2

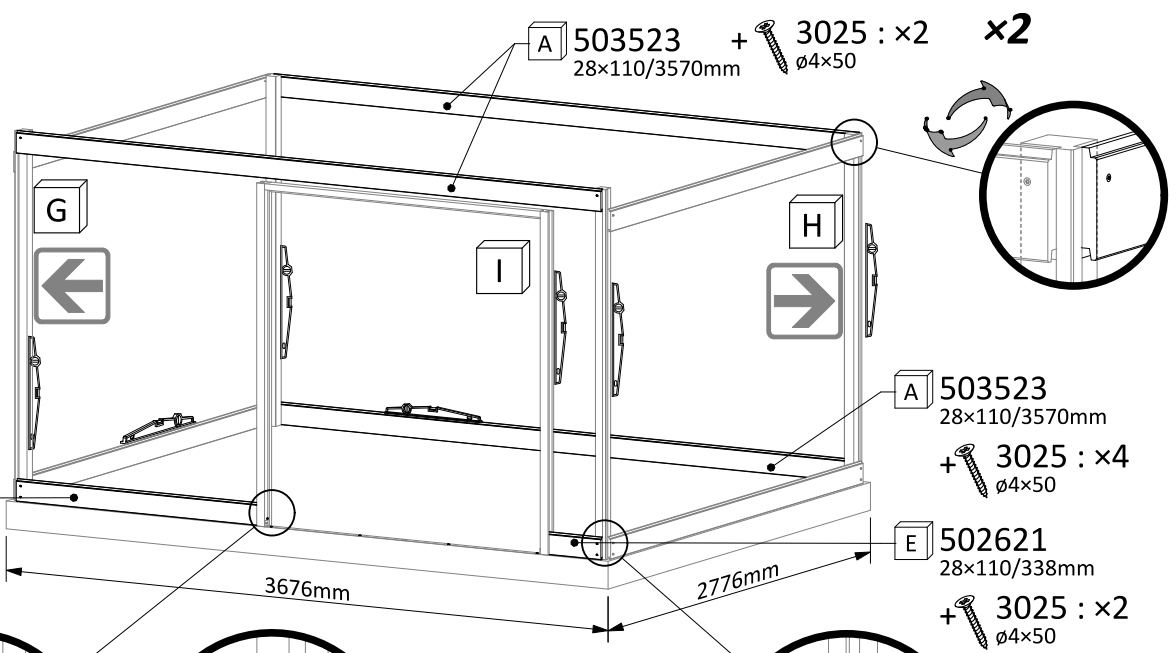


3



.../...

4

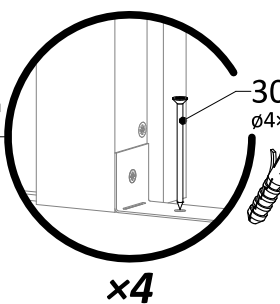
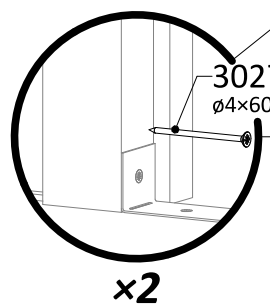


50675
28x110/1500mm
+ **3025** : x2
ø4x50

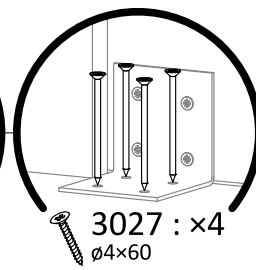
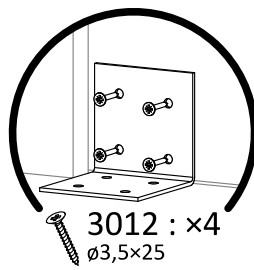
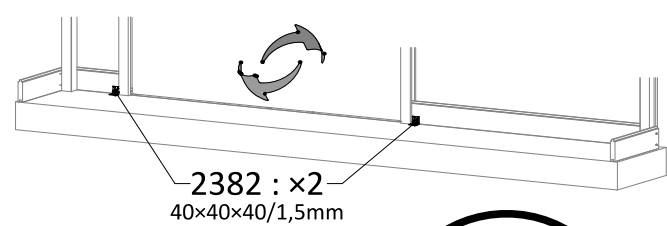
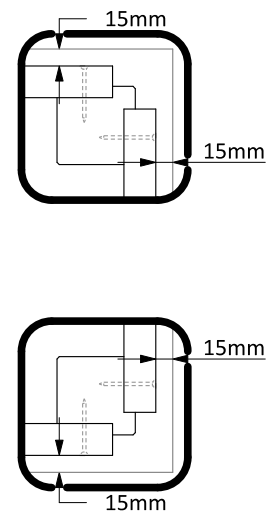
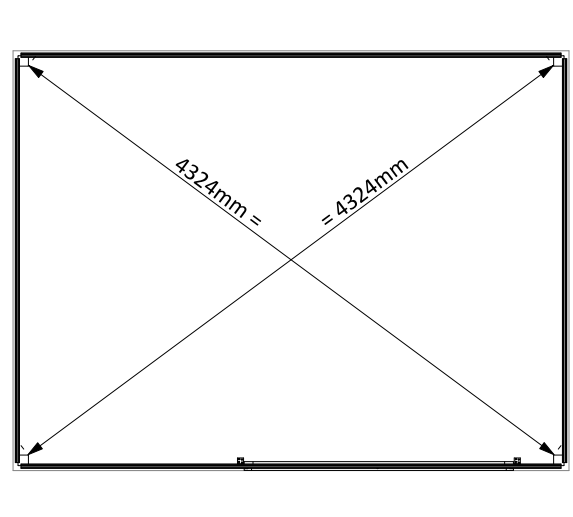
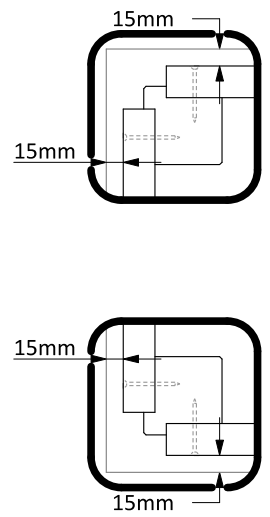
A 503523 + **3025** : x2 x2
28x110/3570mm ø4x50

A 503523
28x110/3570mm
+ **3025** : x4
ø4x50

E 502621
28x110/338mm
+ **3025** : x2
ø4x50



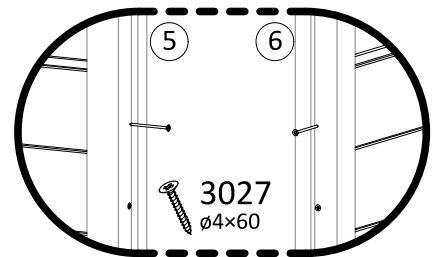
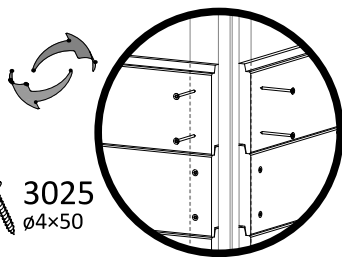
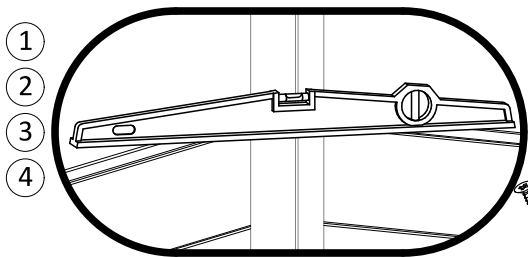
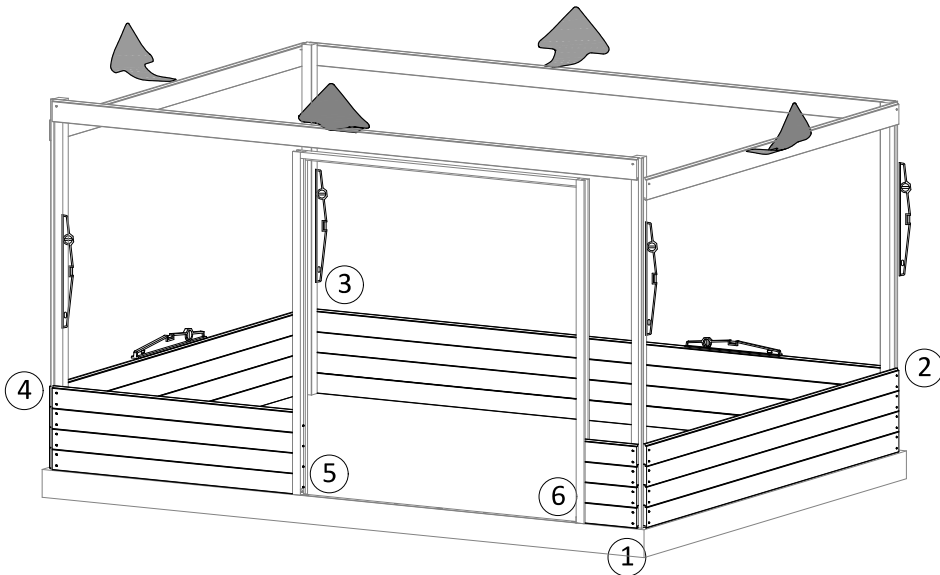
3027 + **3027** +
ø4x60mm ø4x60mm
[EN] not included
[FR] non incluse
[NL] niet inbegrepen
[DE] nicht einbegriffen
[IT] non incluso
[ES] non incluida
[PT] não incluido
[GR] Δεν περιλαμβάνονται



[EN] not included
[FR] non incluse
[NL] niet inbegrepen
[DE] nicht einbegriffen
[IT] non incluso
[ES] non incluida
[PT] não incluido
[GR] Δεν περιλαμβάνονται

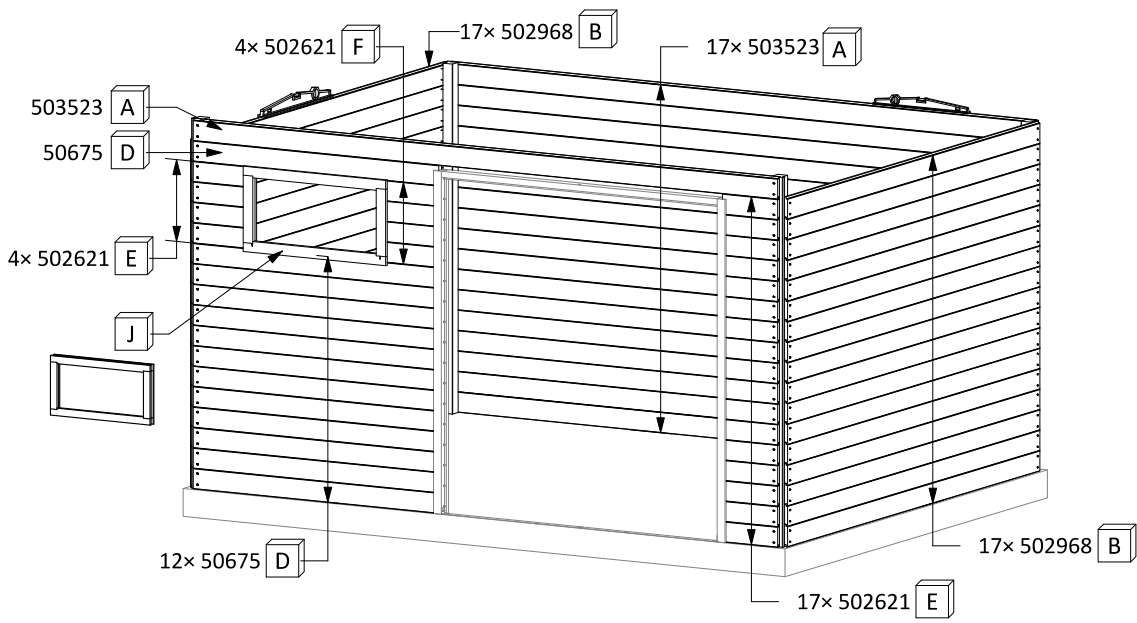
x2

5



① ② ③ ④
 3025
 Ø4×50

⑤ ⑥
 3027
 Ø4×60



① ② ③ ④ = / Ø4×50

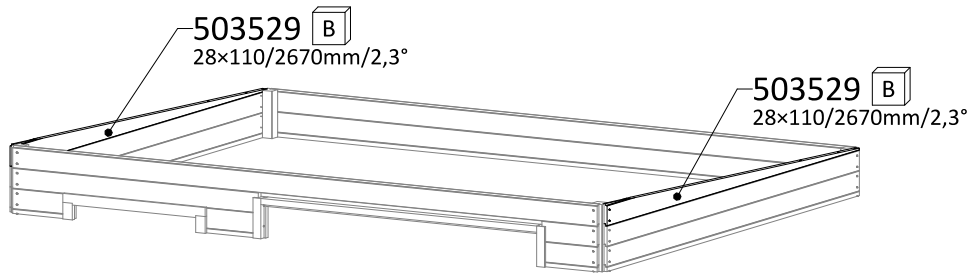
⑤ ⑥ = / Ø4×60

- A** 503523 : 18 × 4 /
28×110/3570mm
- B** 502968 : 34 × 4 /
28×110/2670mm
- D** 50675 : 13 × 2 /
28×110/1500mm
- E** 502621 : 21 × 2 /
28×110/338mm

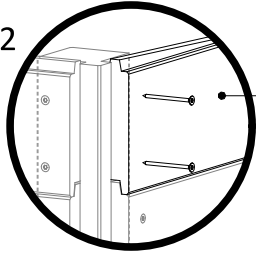
3025 : ×276
 Ø4×50

17 × / ×2 → 3027 : ×34
 Ø4×60

6

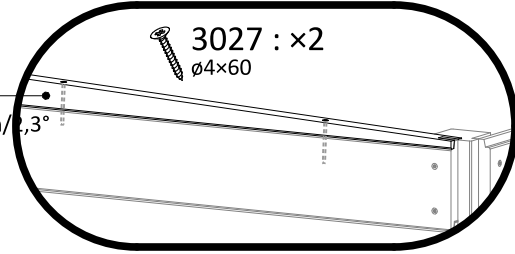


3025 : x2
⌀4x50



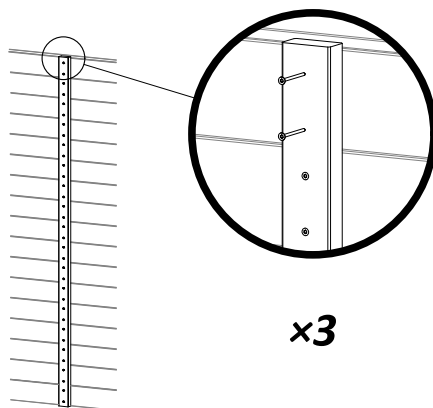
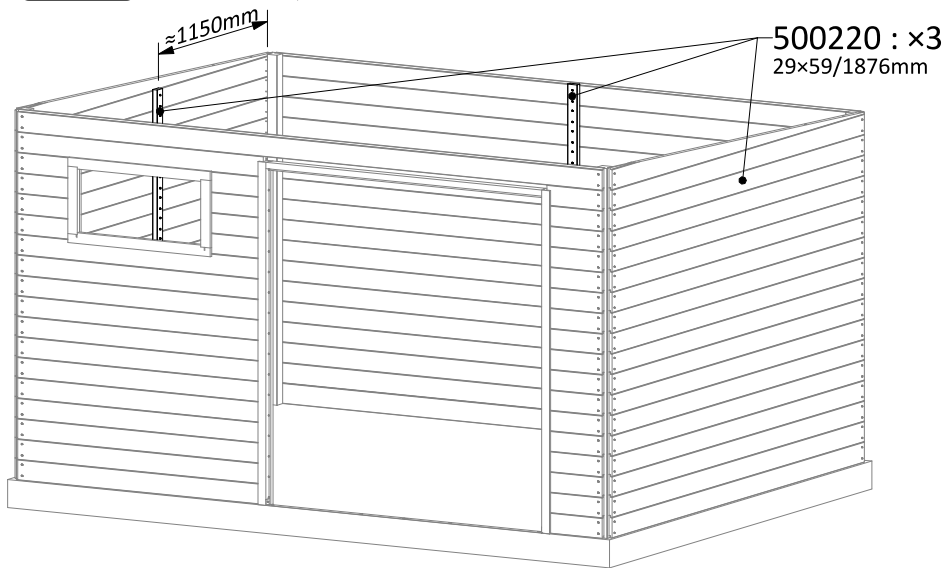
503529
28x110/2670mm/2,3°

3027 : x2
⌀4x60



x2

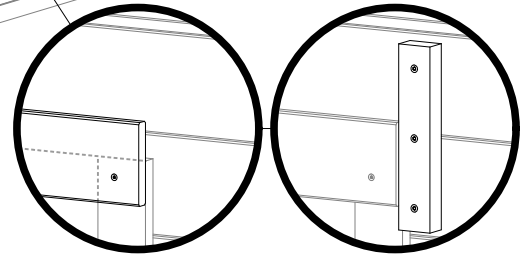
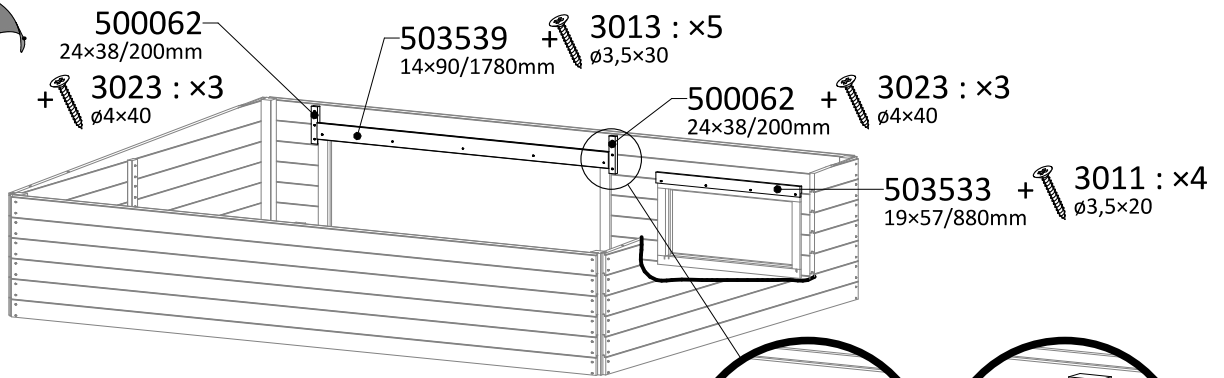
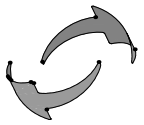
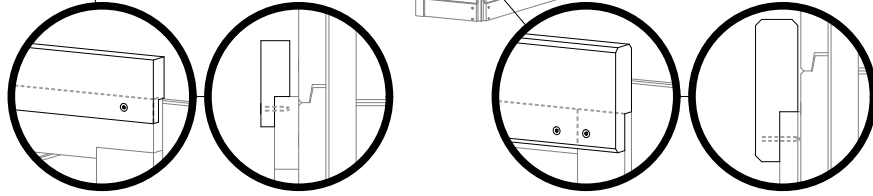
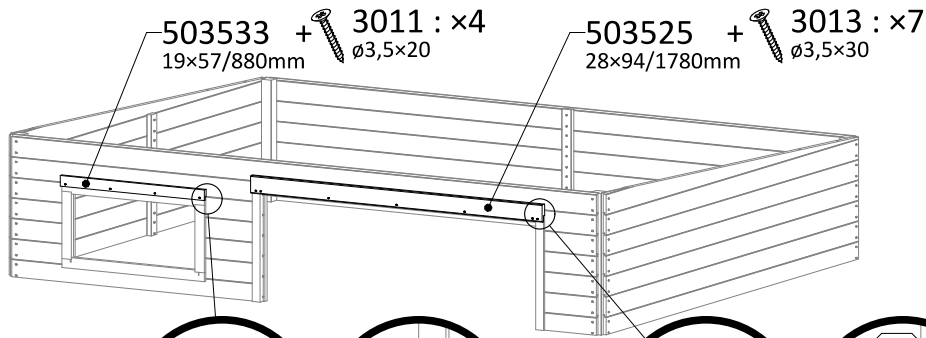
7



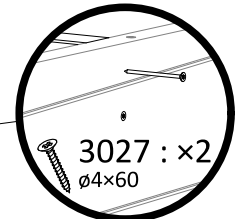
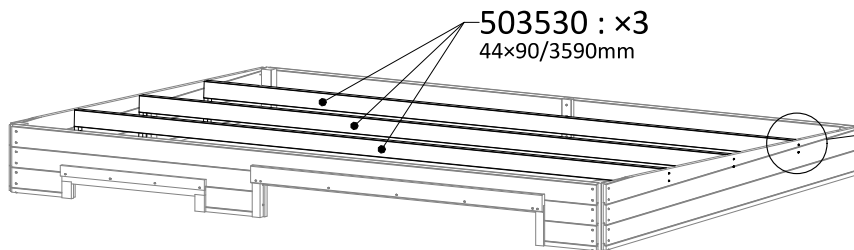
3025 : x2 x 17 = 34
⌀4x50

x3

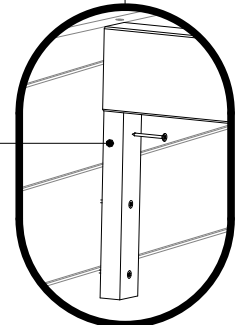
8



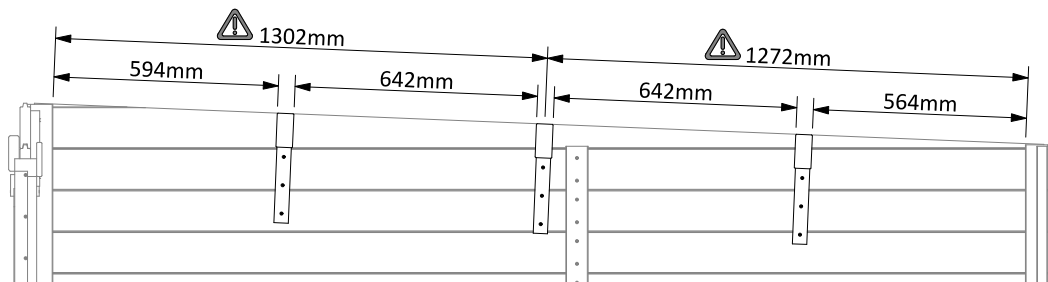
9



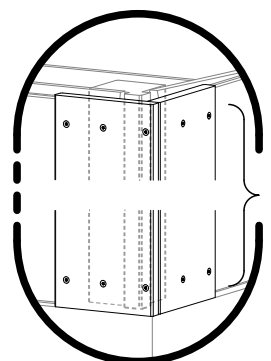
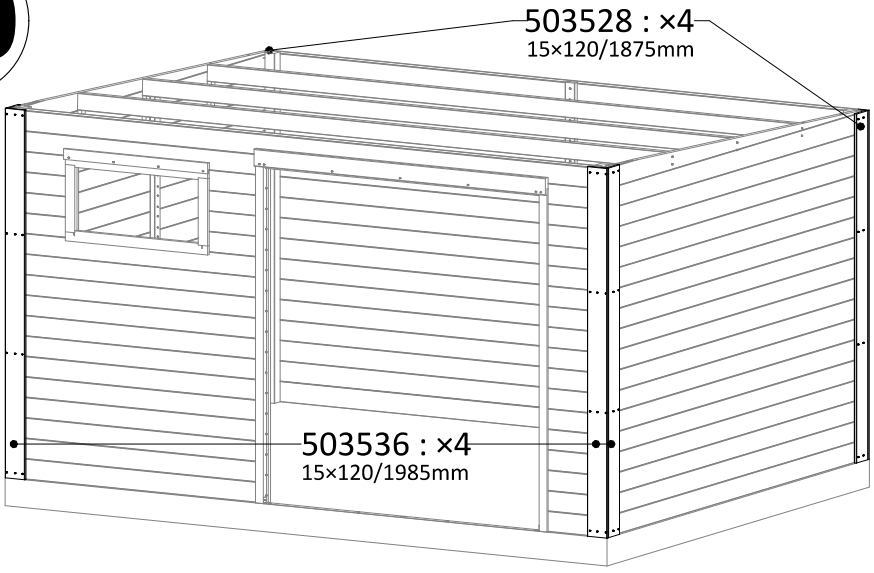
500062
24x38/200mm
+ 3023 : x3
Ø4x40



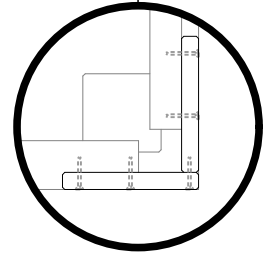
x6



10

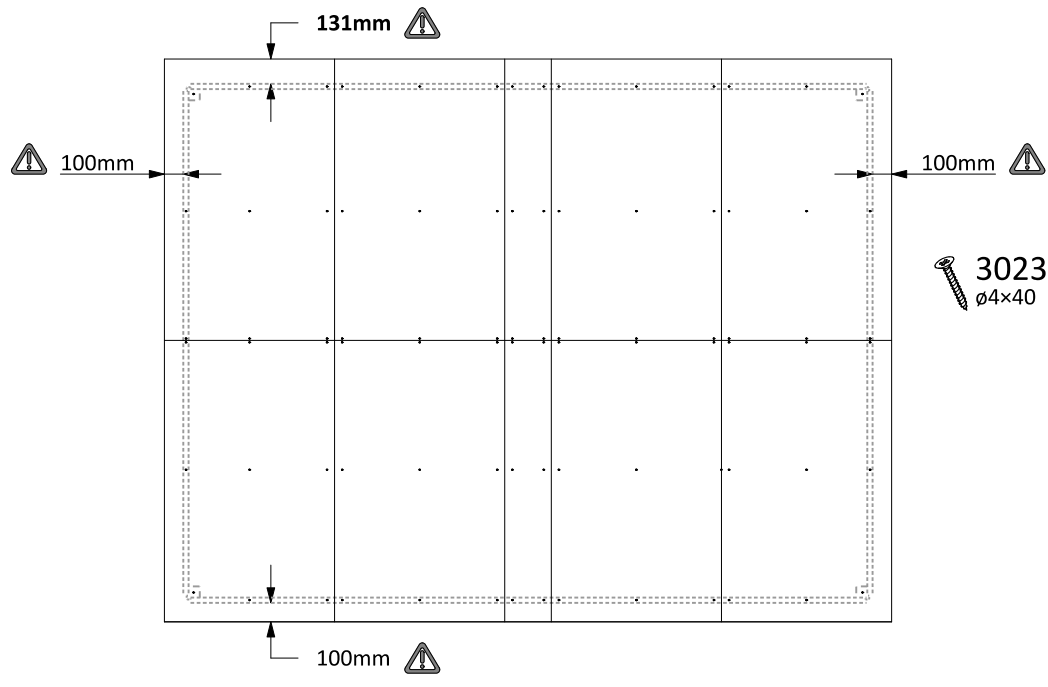
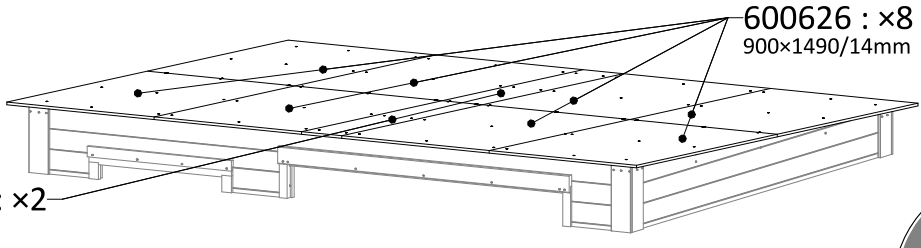


3013 : ×5
Ø3,5×30
×4

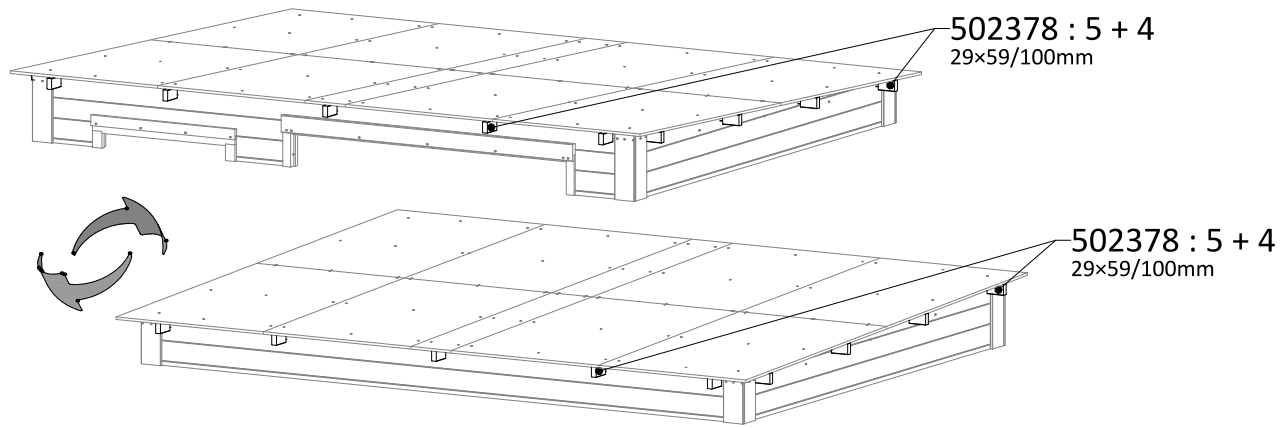


×4

11

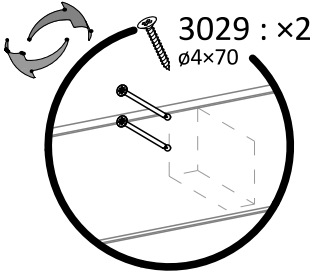
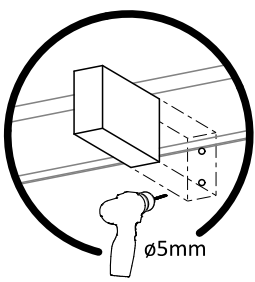


12

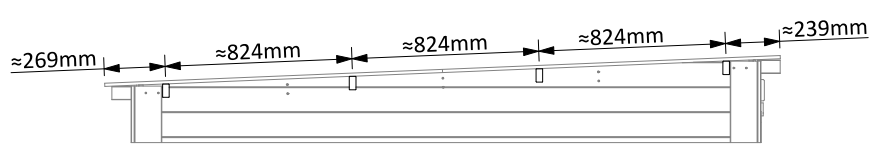
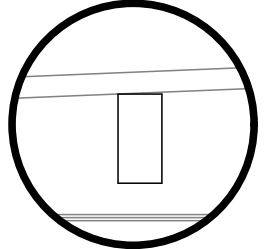
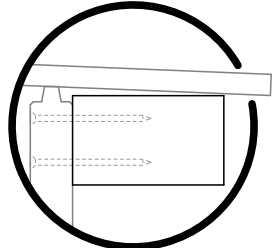
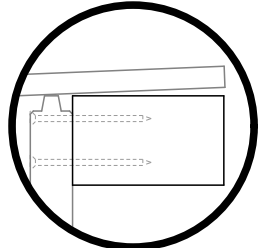
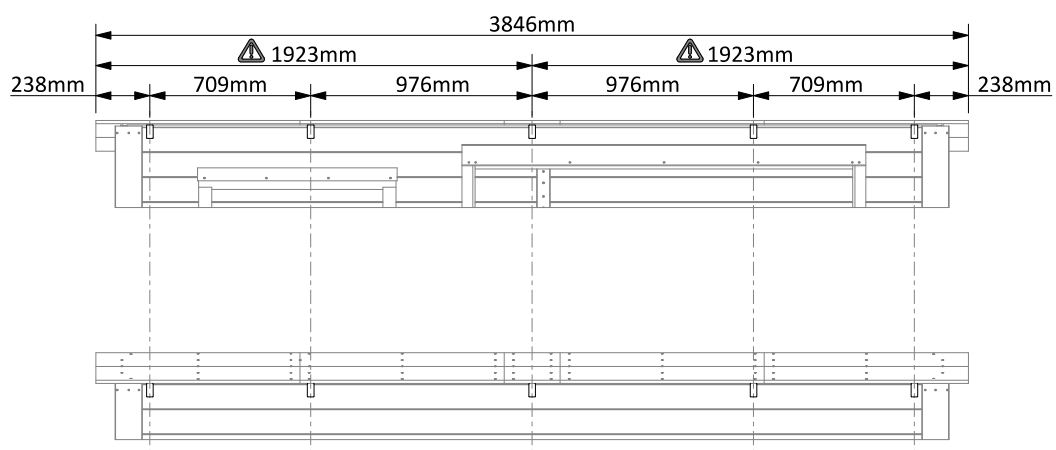


502378 : 5 + 4
29x59/100mm

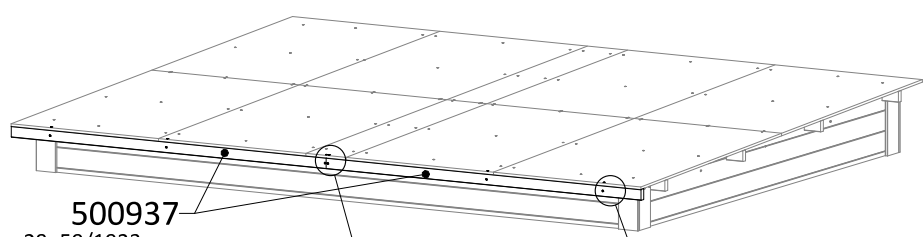
502378 : 5 + 4
29x59/100mm



x18



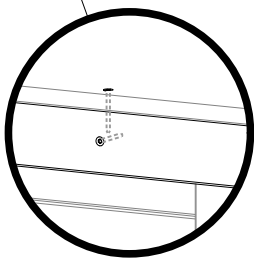
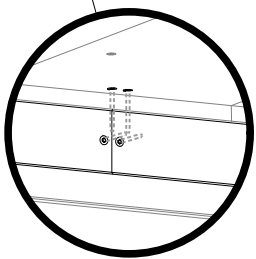
13



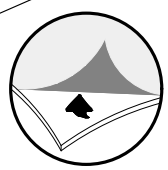
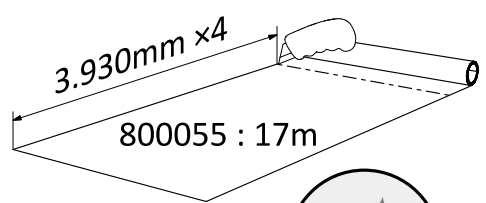
500937
29x59/1923mm

+ 3023 : x6
ø4x40

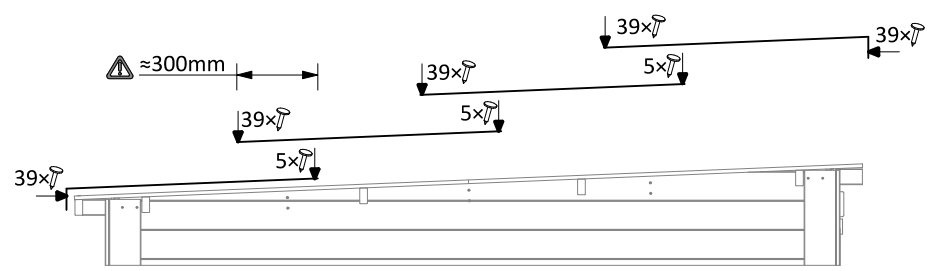
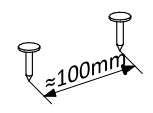
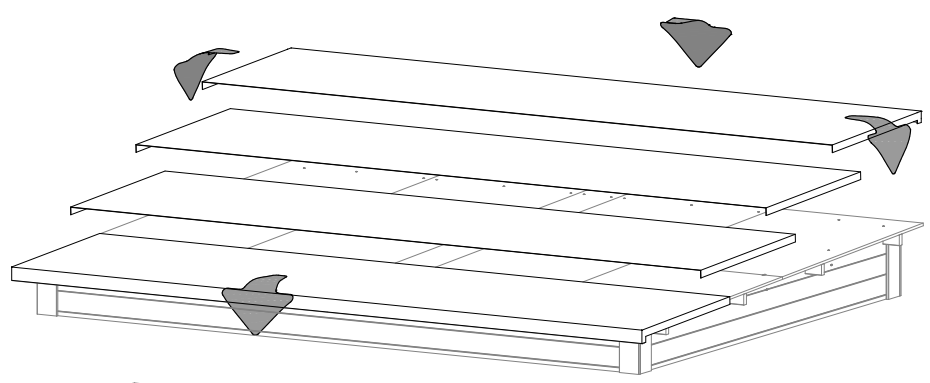
x2




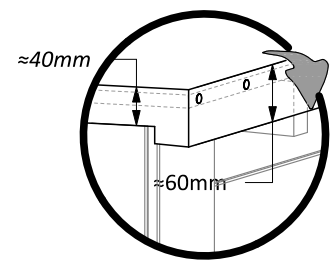
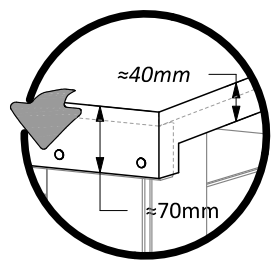
14



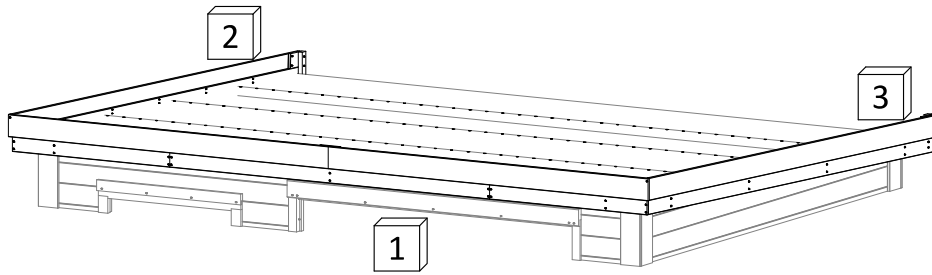
[EN] not included
 [FR] non incluse
 [NL] niet inbegrepen
 [DE] nicht einbegriffen
 [IT] non incluso
 [ES] non incluida
 [PT] não incluido
 [GR] Δεν περιλαμβάνονται



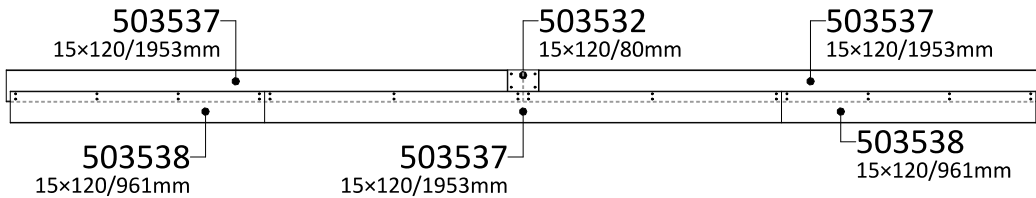
 **3810 : x210**
15mm



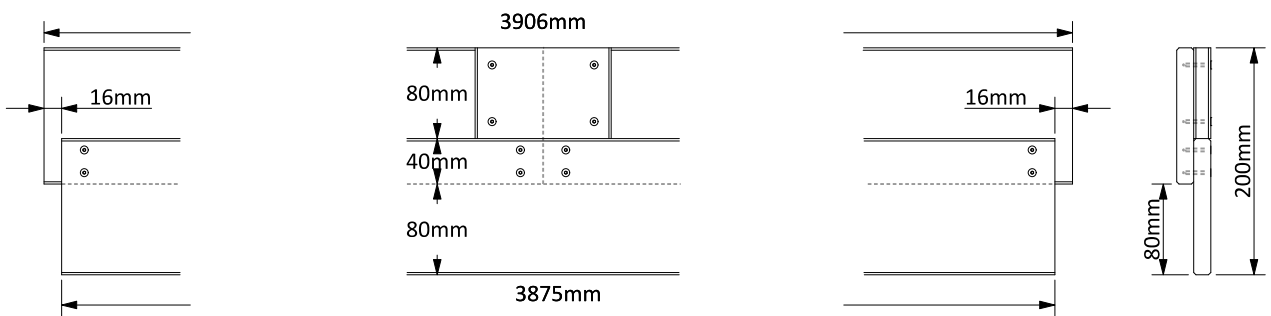
15



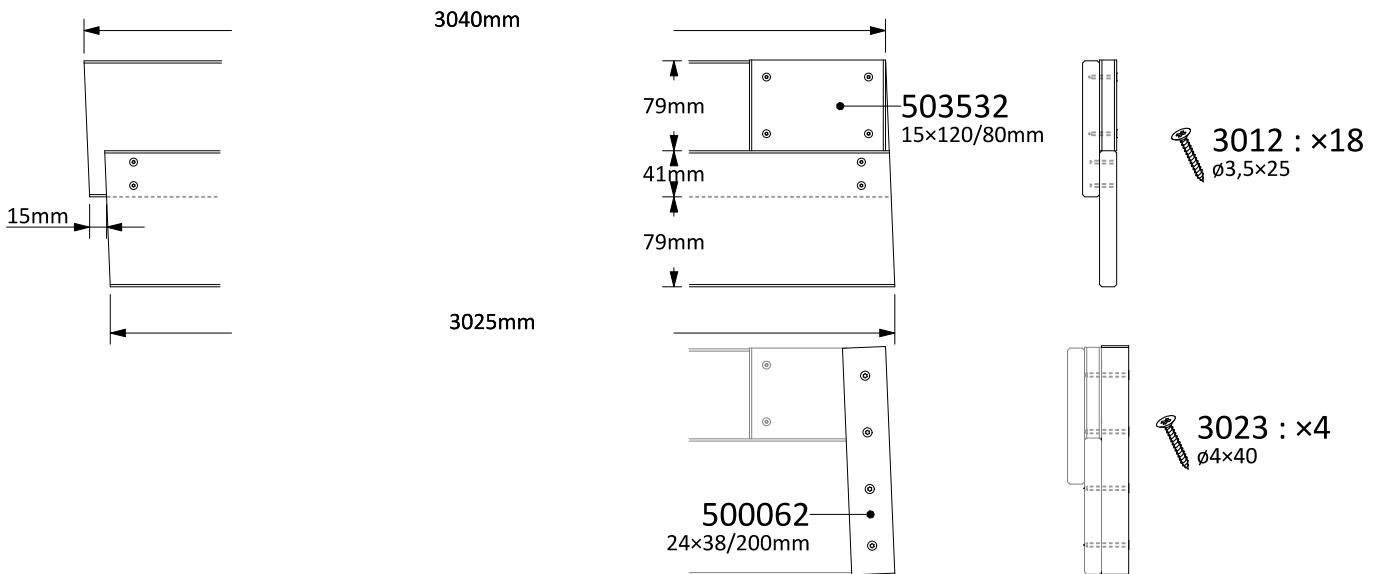
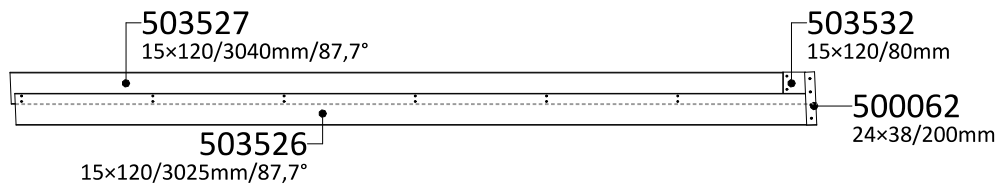
1=



3012 : x32
ø3,5x25



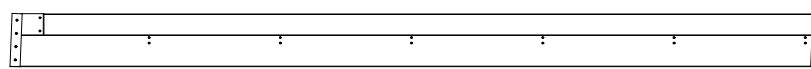
2=



3012 : x18
ø3,5x25

3023 : x4
ø4x40

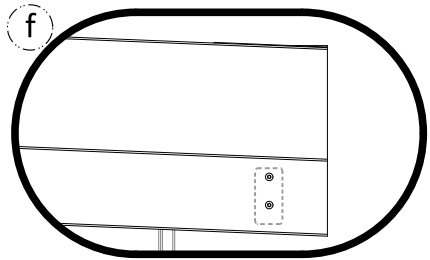
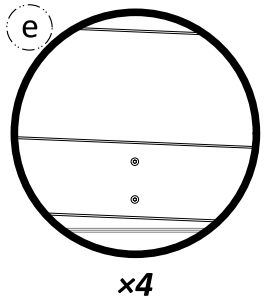
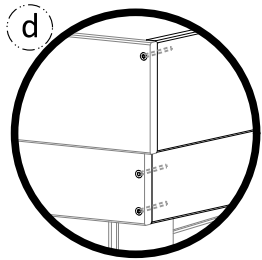
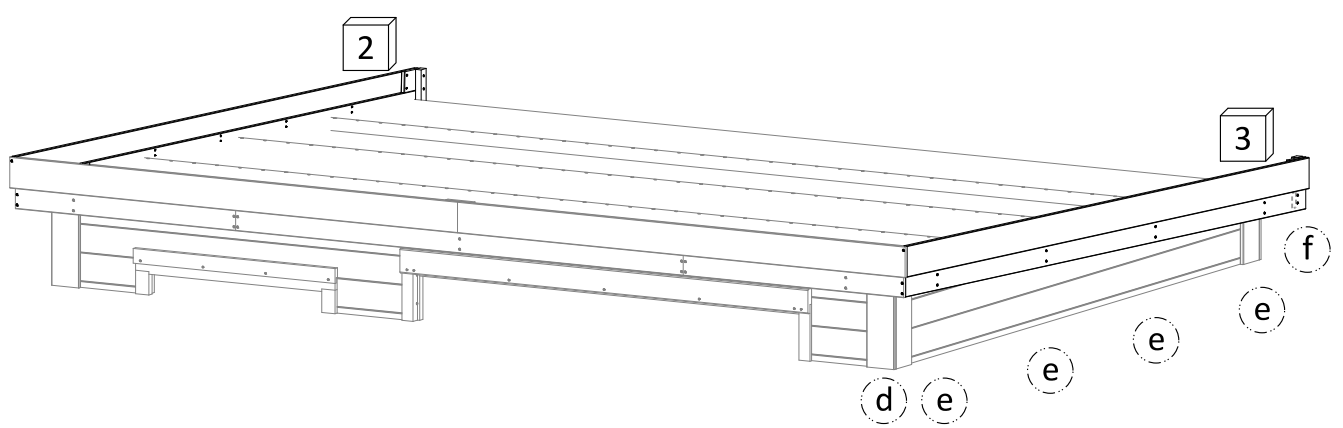
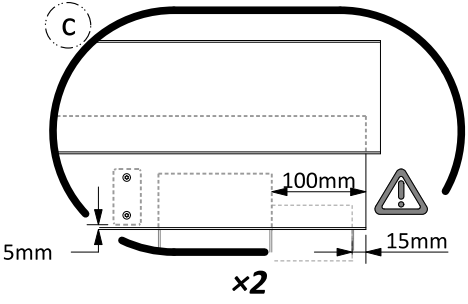
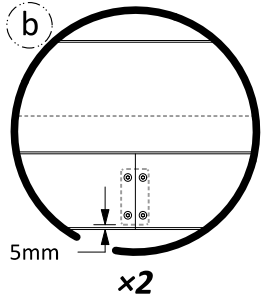
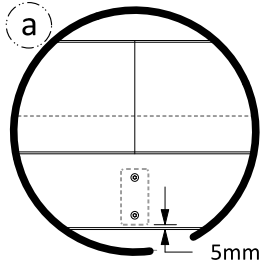
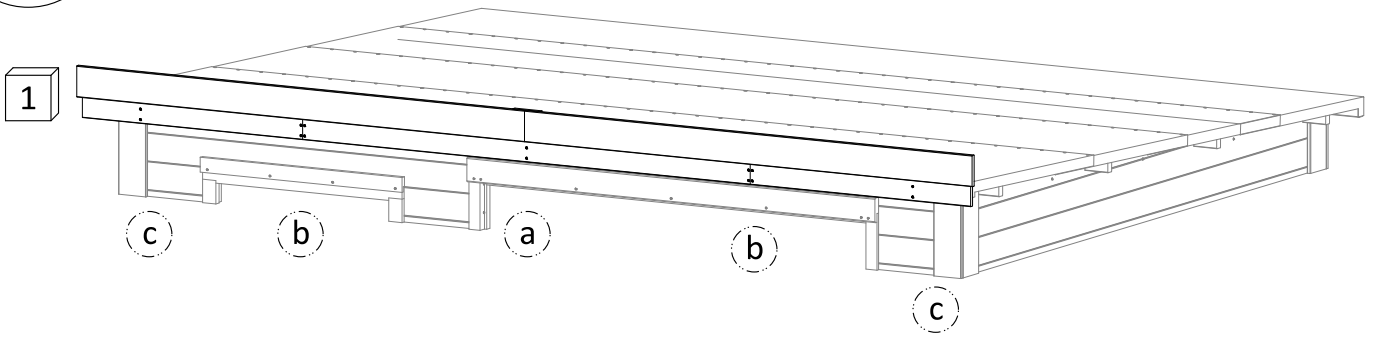
3=



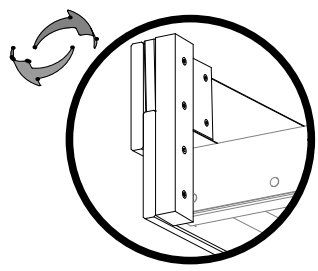
= 2



16

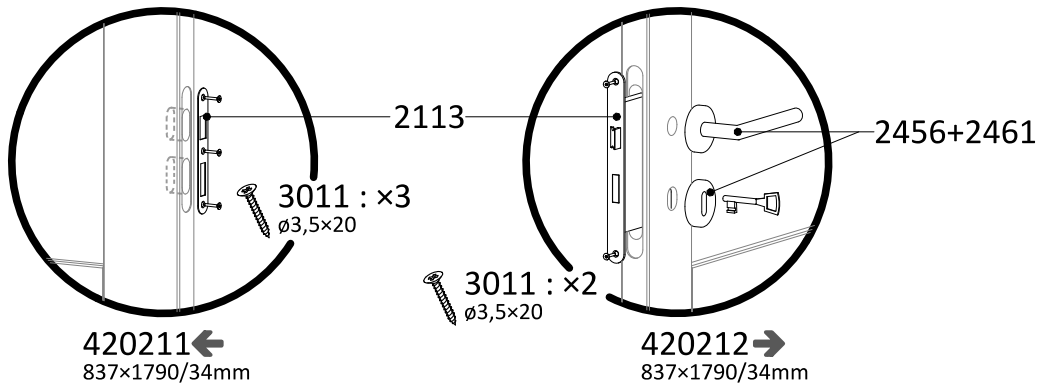
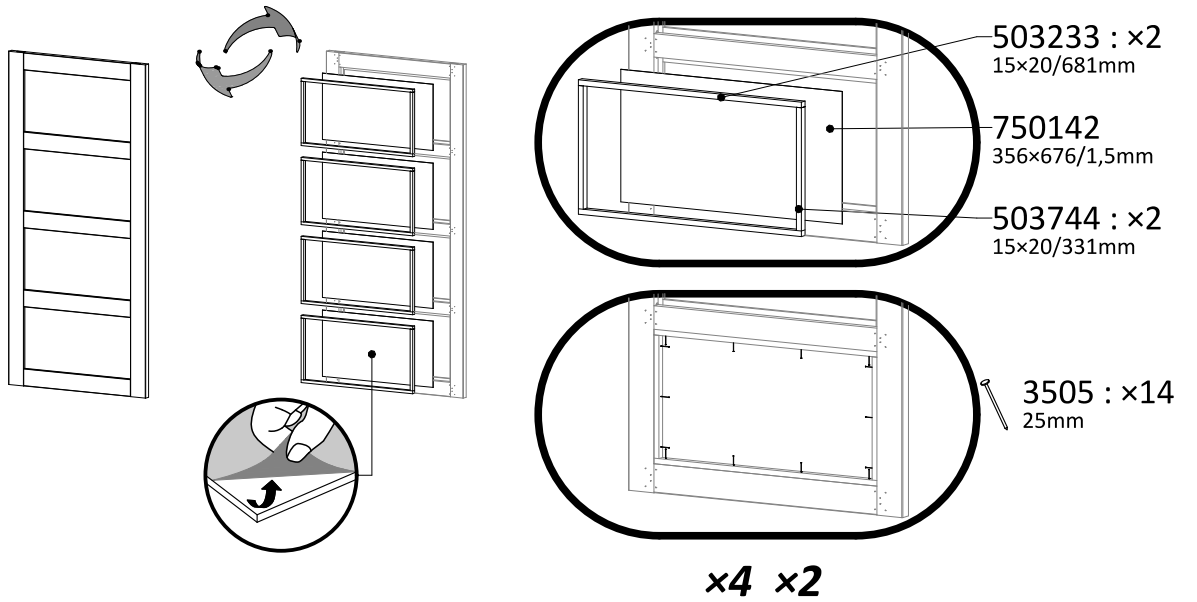


2 + **3** = **x2**



17

420211 ←
837×1790/34mm
420212 →
837×1790/34mm



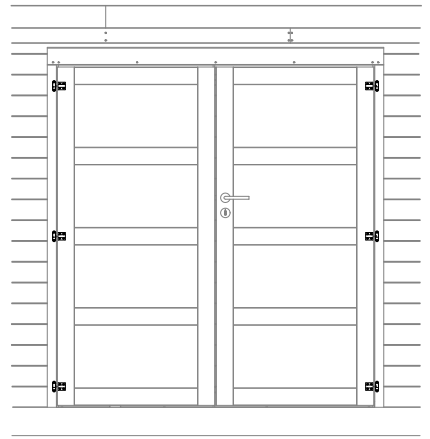
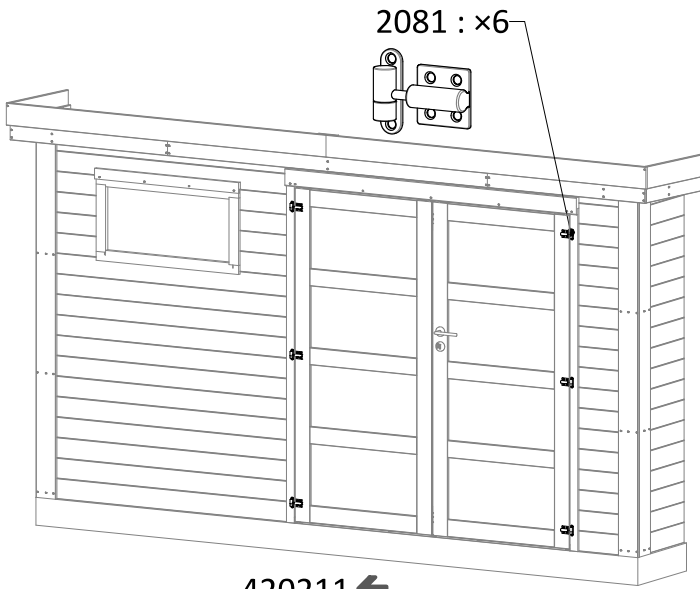



**Silicone
Silikon**

[EN] not included
[FR] non inclus
[NL] niet inbegrepen
[DE] nicht einbegriffen
[IT] non incluso
[ES] non incluida
[PT] não incluído
[GR] Δεν περιλαμβάνονται

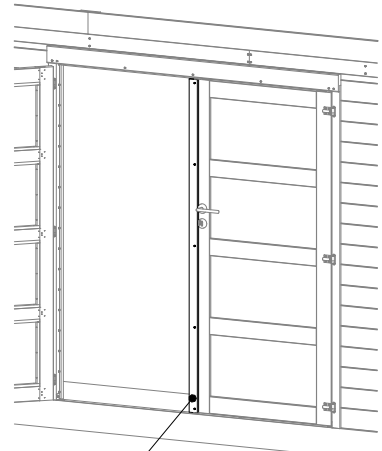
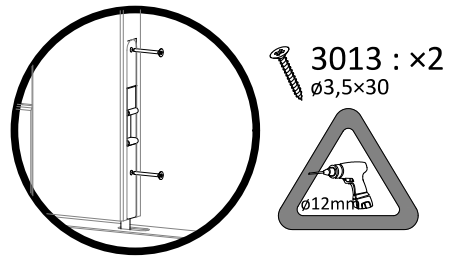
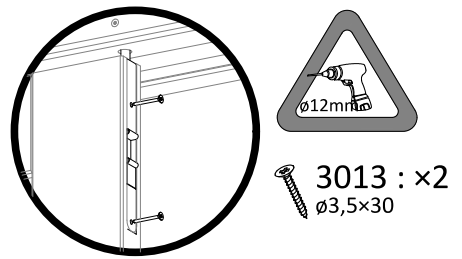
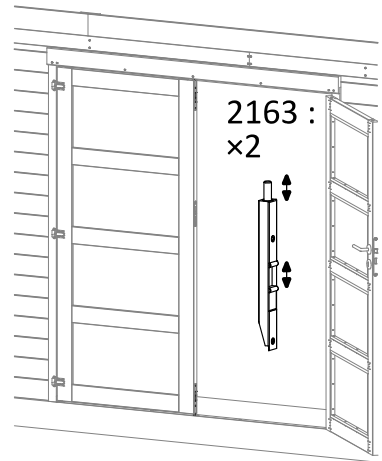
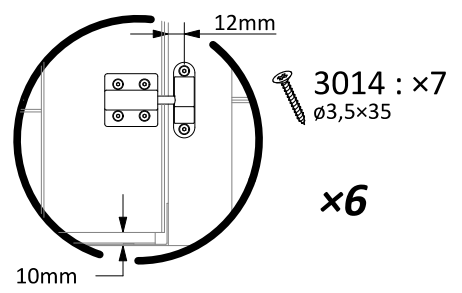


18



420211 ←
837x1790/34mm

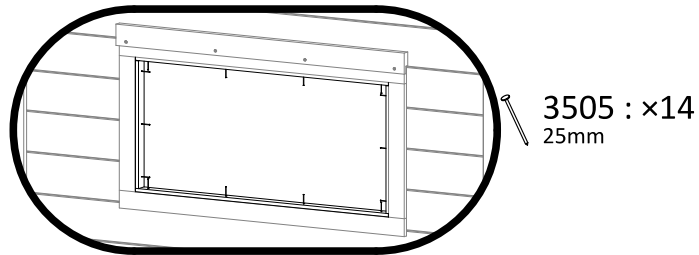
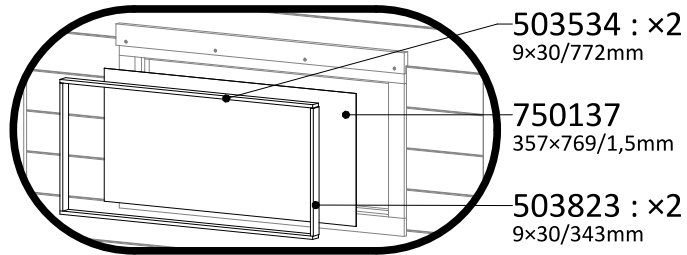
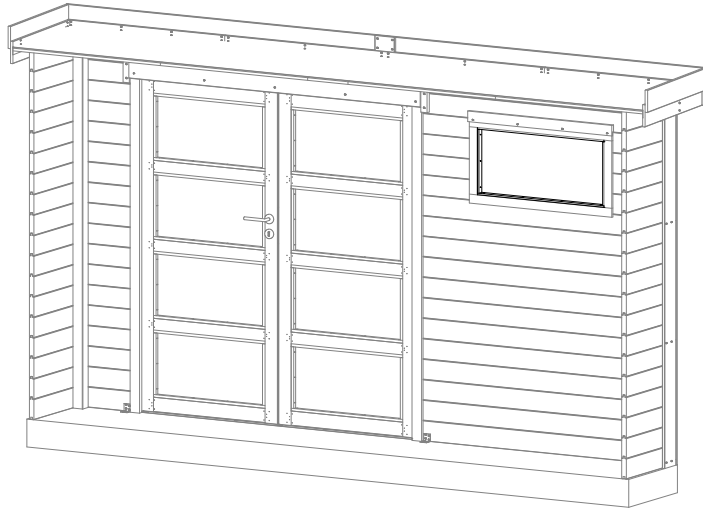
420212 →
837x1790/34mm


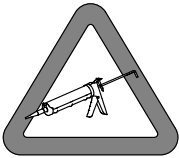


502171
12x50/1790mm

+ 3012 : x5
ø3,5x25

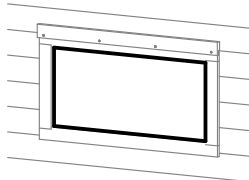
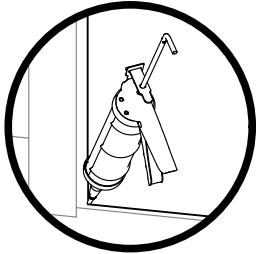
19



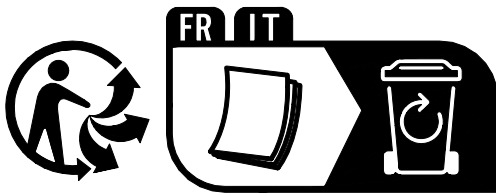



**Silicone
Silikon**

[EN] not included
[FR] non inclus
[NL] niet inbegrepen
[DE] nicht einbegriffen
[IT] non incluso
[ES] non incluida
[PT] não incluído
[GR] Δεν περιλαμβάνονται

- [EN] Unique warranty number, must be send for any request.
 [FR] Numéro de garantie unique, à transmettre obligatoirement pour toute demande.
 [NL] Uniek garantienummer, dat voor alle aanvragen moet worden verstrekt.
 [DE] Eindeutige Garantienummer, muss bei jeder Anfrage gesendet werden.
 [IT] Numero di garanzia unico, da trasmettere obbligatorio per ogni richiesta.
 [ES] Numero único de garantía, se transmitirá obligatoriamente para todas las solicitudes.
 [PT] Número de garantia único, será transmitido obrigatoriamente para todas as solicitações.



Adresses sur quefairedemesdechets.fr

Fabriqué par Décor et Jardin
 Parc Industriel - Rue Nazareth 13
 4651 Battice - Belgique
 e-mail : info@decoretjardin.com
 website : www.decoretjardin.com

