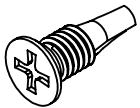
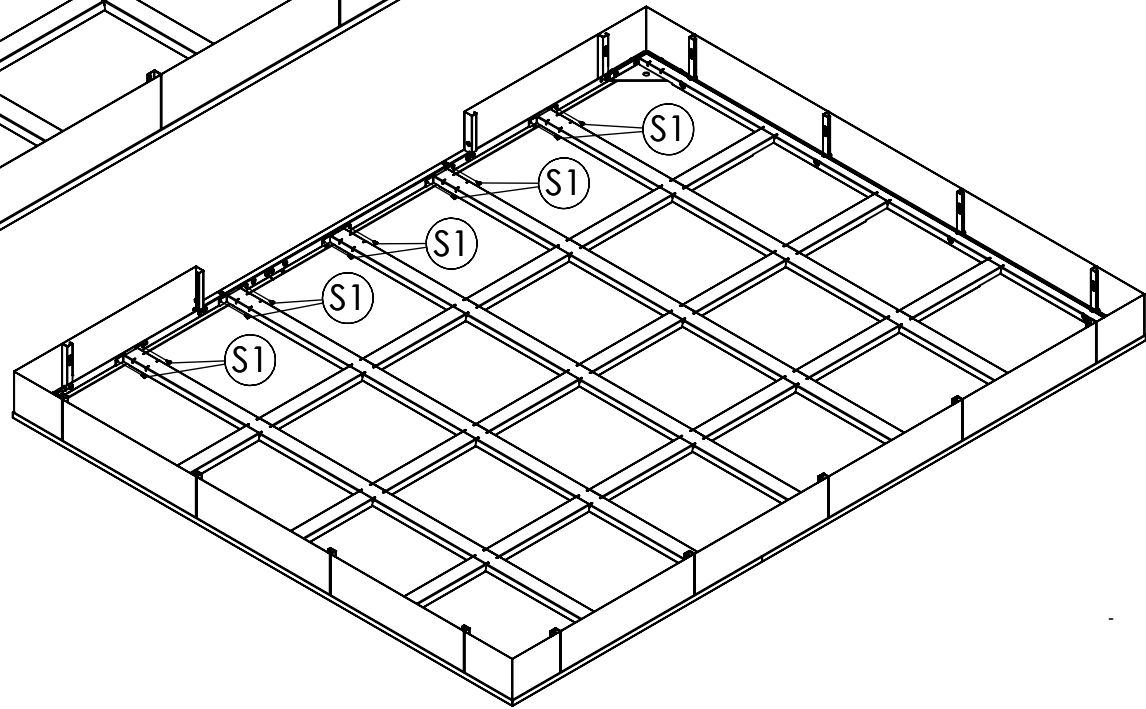
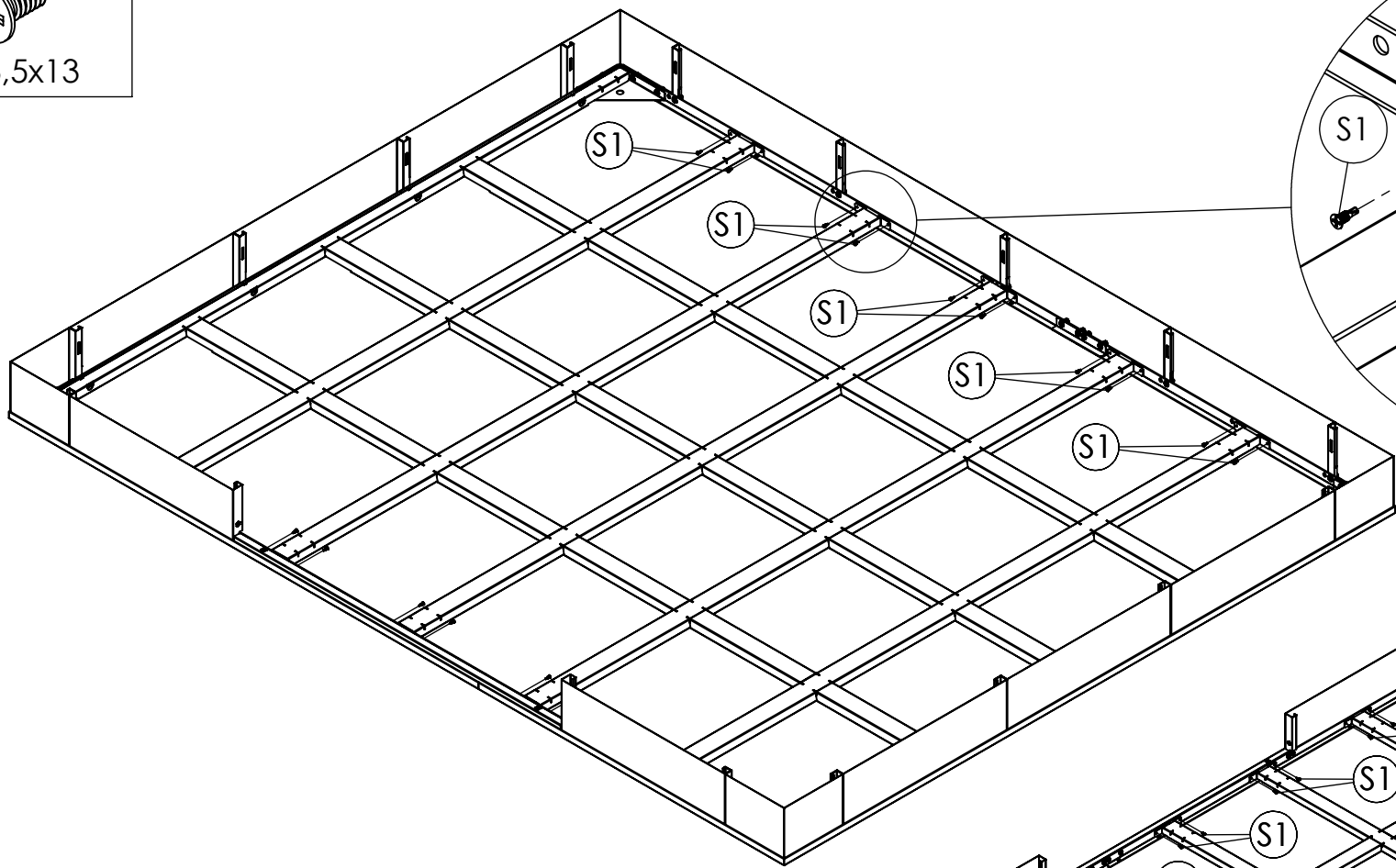
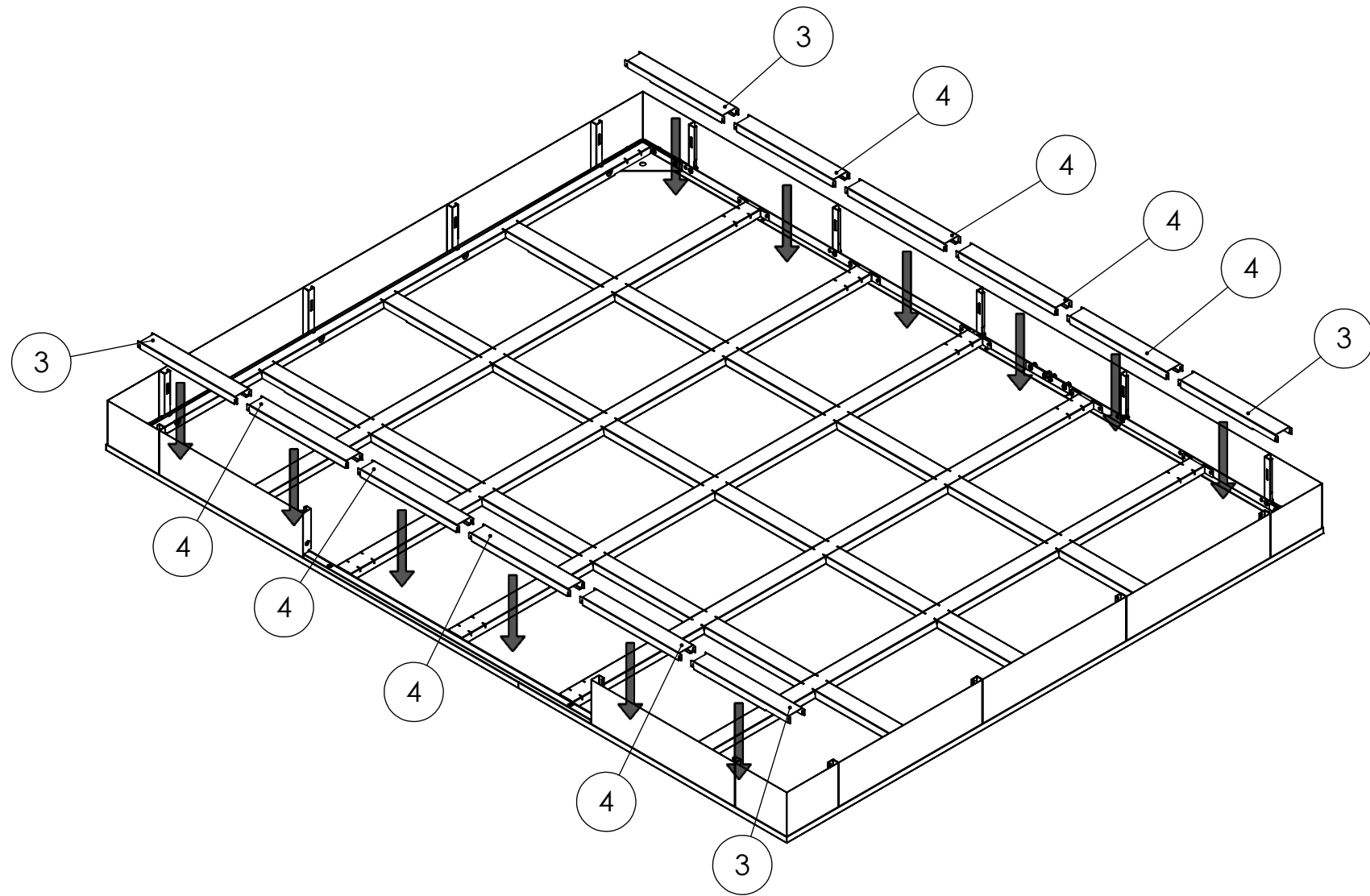


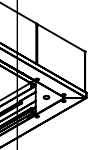
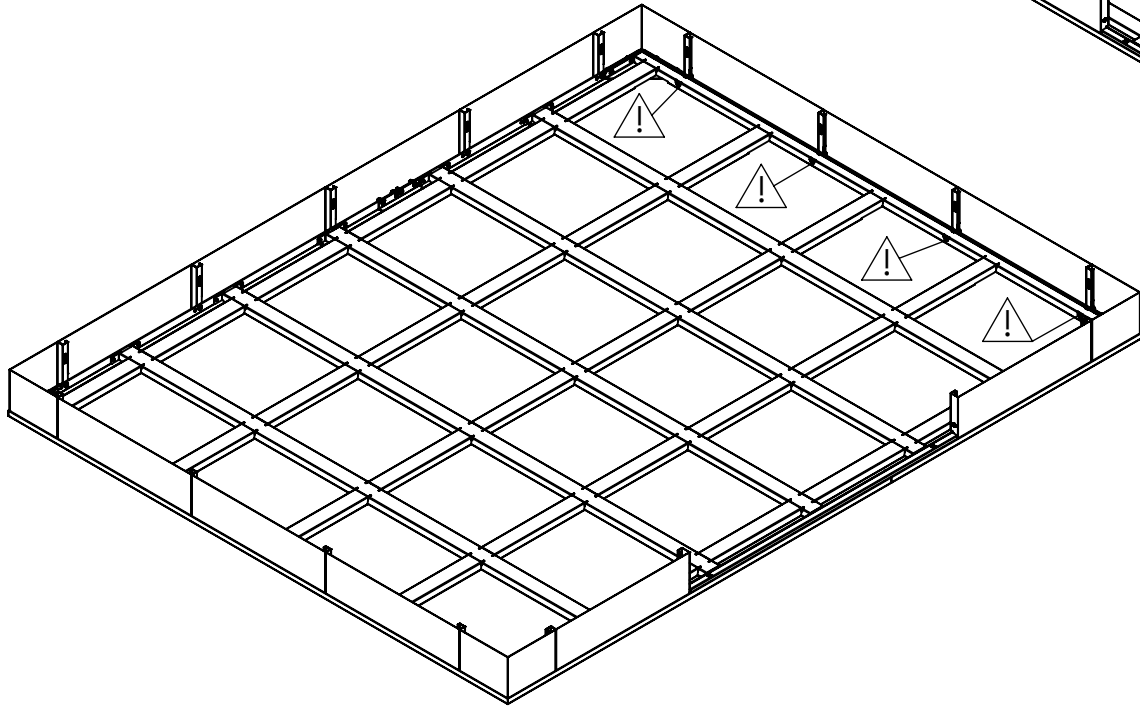
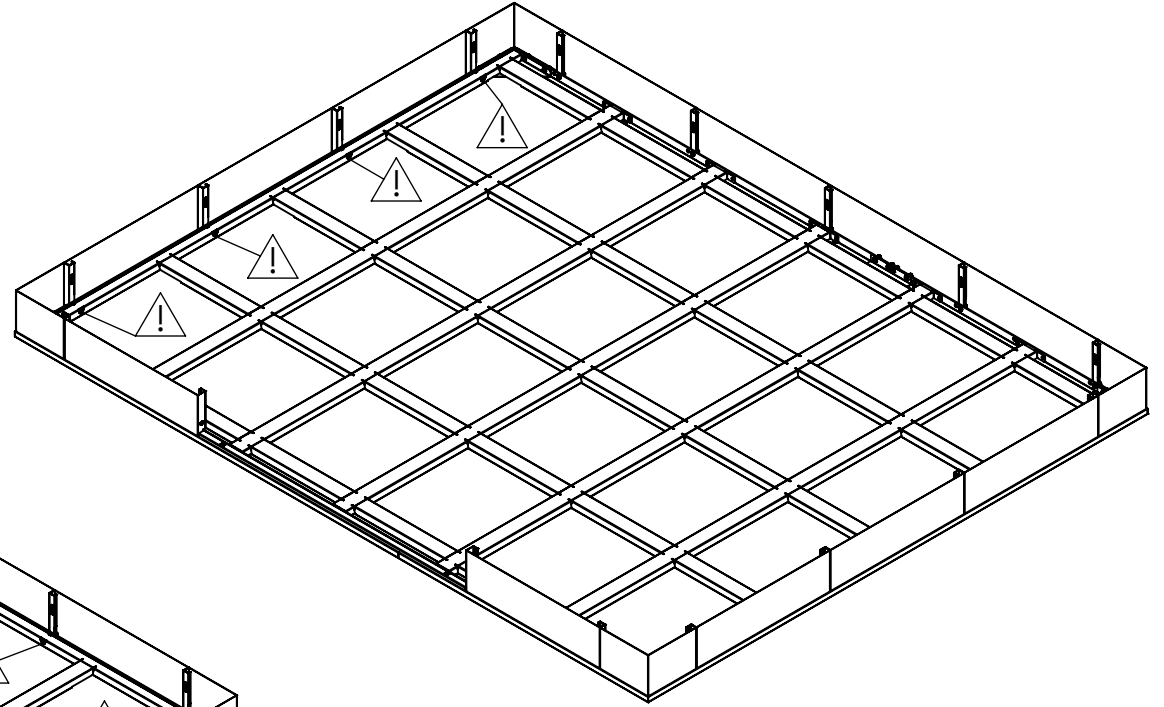
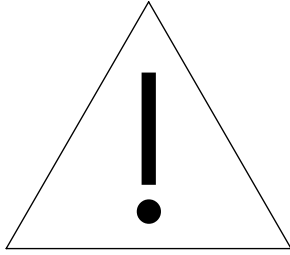
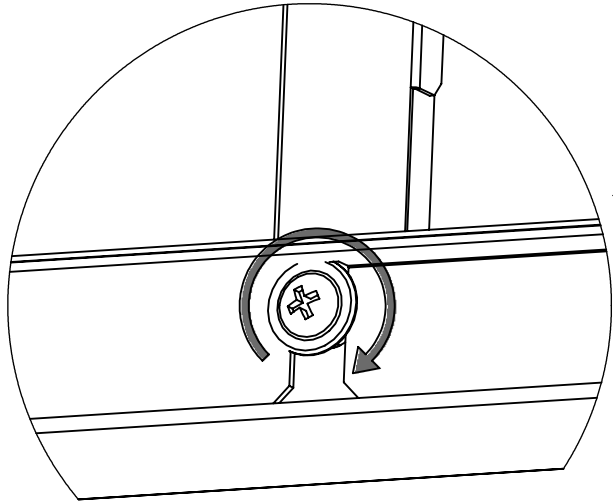
S1 x20



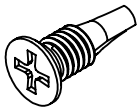
3,5x13



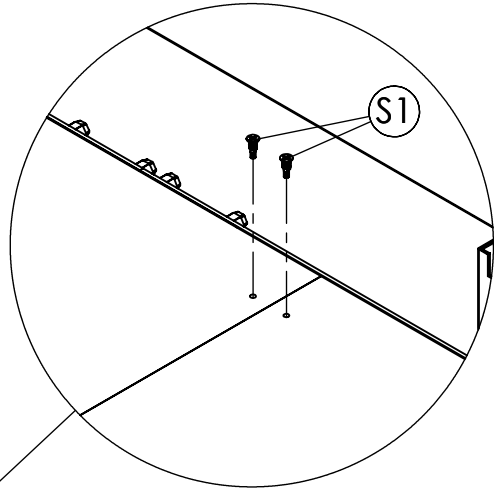
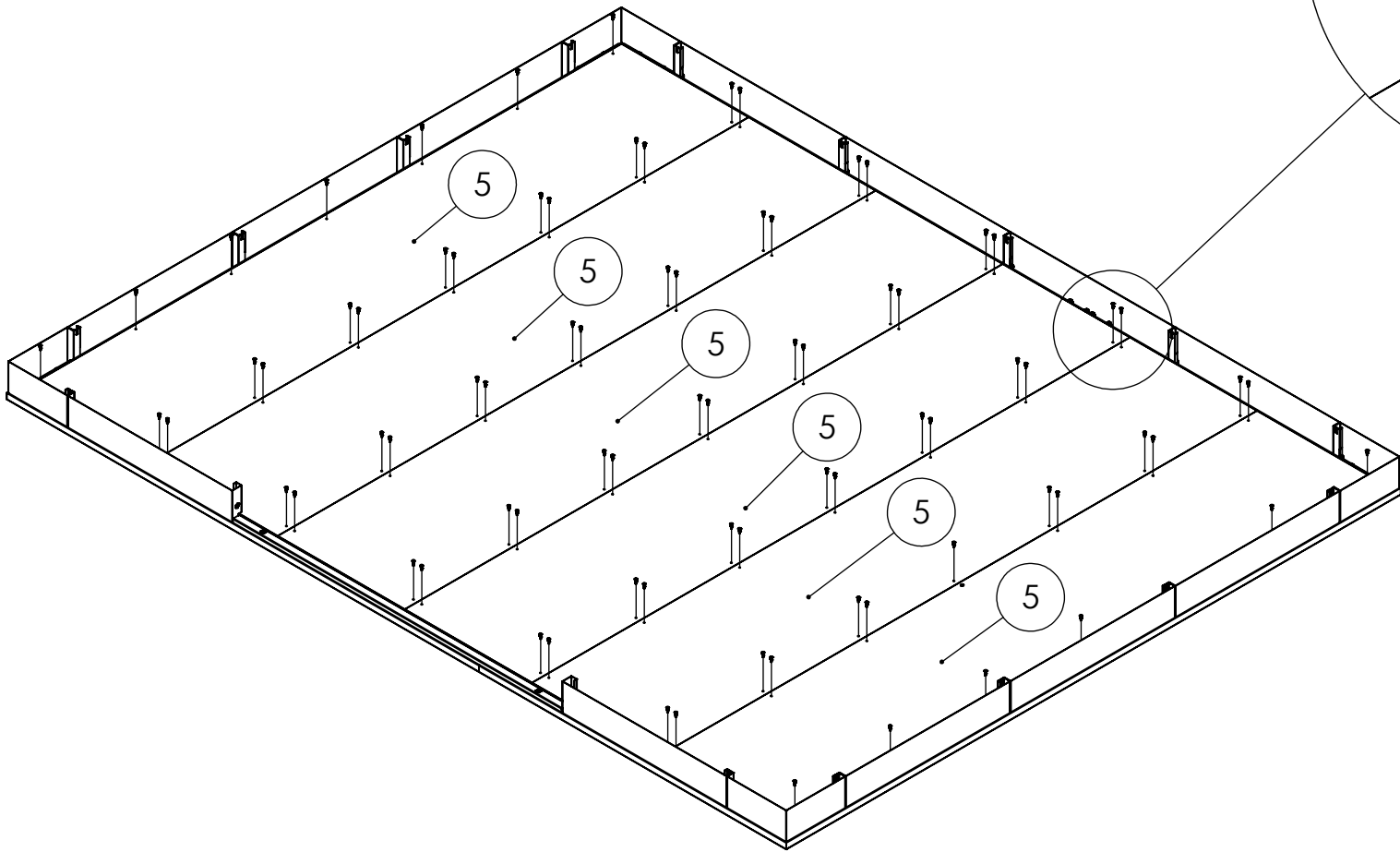




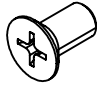
S1 x84



3,5x13



S2 x2



M6x12

